



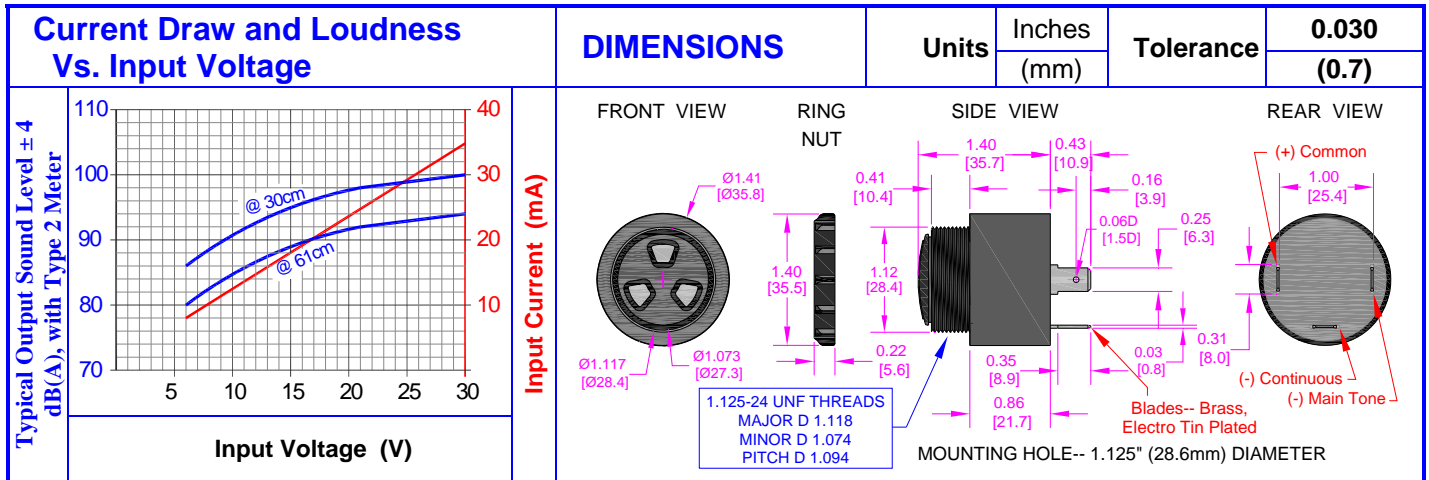
# PRODUCT INFORMATION

Part #: **CE-HCM630AQM**

Revision: 3-2012

| DESCRIPTION  |  | FEATURES   |                           |                           |                |
|--|--|--|---------------------------|---------------------------|----------------|
| <p><b>Challenge Electronics Dual-Function CHIME or CONTINUOUS Tones, MEDIUM Loud, 6 to 30 Vdc, A style</b> case Rear Panel Mounting in 1.125" (28.6 mm) Hole, Sound Pressure Level of <b>96 dB(A)</b> at 30 Vdc at 61 cm, <b>2,900 Hz</b>. Output Frequency, three <b>Quick Connect Blades</b> termination, <b>Moderate Rate 2 Pulses per second</b>, Piezoelectric Alarm, <b>RoHS Compliant</b></p> |  | <ul style="list-style-type: none"> <li>◆ <b>Reliable Solid State Piezoelectric Technology</b></li> <li>◆ <b>Corrosion resistant Stainless Steel Diaphragm</b></li> <li>◆ <b>Flame Retardant Plastic</b></li> <li>◆ <b>Extended storage temperature</b></li> <li>◆ <b>Hermetically Sealed Alarm</b></li> <li>◆ <b>Water Proof, NEMA 3R, 4X, or 12 with Gasket (not supplied)</b></li> <li>◆ <b>RoHS, Lead Free Compliance</b></li> <li>◆ <b>ISO 9001 Certified</b></li> </ul> |                           |                           |                |
| <b>SPECIFICATIONS</b>  |  |  |                           |                           |                |
| Operating Mode   | Medium Loud, Moderate Chime or Continuous Tones  |  | Pulse Rate                | 2 ± 10% Pulses per Second |                |
| Operating Voltage  | 6 to 30 Vdc  |  | Nominal Operating Voltage | 24 Vdc                    |                |
| Operating Frequency  | 2,900 ± 250 Hz.  |  |                           |                           |                |
| Typical Loudness   | At Minimum Voltage   | 80 ± 5 dB(A), at 6 Vdc, 24 inches (61 cm), 25°C  |                           |                           |                |
|  | At Maximum Voltage   | 96 ± 3 dB(A), at 30 Vdc, 24 inches (61 cm), 25°C   |                           |                           |                |
| Typical Operating Current  | At Minimum Voltage   | 10 mA at 6 Vdc   | At Maximum Voltage        | 40 mA at 30 Vdc           |                |
| Operating Temperature  | -30°C to +65°C   |  | Storage Temperature       | -40°C to +105°C           |                |
| Surge Voltage  | 20% over maximum Operating Voltage for less than 5 minutes   |  |                           |                           |                |
| Materials  | Alarm Case   | Plastic, "A" Case, NORYL™, PX9406 or equal, flame retardant UL 94-V0, Black  |                           |                           |                |
|  | Diaphragm  | Stainless Steel 304  |                           |                           |                |
|  | Encapsulation  | Two parts epoxy resign or silicone potting, Black  |                           |                           |                |
|  | Termination  | Three, 0.25 (6.4 mm) Quick Connect Blades, 0.032Ø (0.8Ø mm) Wide, Brass, Electro-Tin plated  |                           |                           |                |
| Physical Dimensions  | Length or Diameter (L/D)   | 1.46" (37.1 mm) Ø  | Width (W)                 | Height (H)                | 1.4" (35.7 mm) |
| Approximate Weight   | 40 grams   | Removable Washing Label  | No                        | Compliance                | RoHS           |
| Available Options  |  |  |                           |                           |                |
| <b>RELIABILITY</b>   |  |  |                           |                           |                |
| Thermal Operating Temperature Test   | 240 hours continuous operation at <b>Rated Power</b> , at <b>Maximum Rated Operating Temperature</b> *   |  |                           |                           |                |
| Thermal Storage Temperature Test   | 96 hours storage at <b>Maximum Rated Storage Temperatures</b> *  |  |                           |                           |                |
| Thermal Shock Test   | 5 cycles of <b>Minimum and Maximum Operating Temperature</b>   |  |                           |                           |                |
|  | Each cycle shall be set per diagram below and is 3 hours long *  |  |                           |                           |                |
|  |  | <p><b>SINGLE CYCLE</b></p> <p>Maximum °C</p> <p>25°C</p> <p>Minutes</p> <p>15 30 45 60 00 120 150 180 210</p> <p>Minimum °C</p>  |                           |                           |                |
| Humidity Test  | 120 Hours at +60°C±2°C. 90-95% RH *  |  |                           |                           |                |
| Salt Spray   | Withstand exposure to salt spray per ASTM B117 for a period of 300 hours *   |  |                           |                           |                |
| Water & Dust Exposure  | Withstands water submergence and dust exposure per IP-68 *   |  |                           |                           |                |
| Vibration Test   | 2 Hours at 1.5 mm with 10 to 55 Hz. of vibration frequency to each of 3 perpendicular direction *  |  |                           |                           |                |
| Drop Test  | Dropped naturally from 1 meter height onto the surface of 10mm wooden board, 2 directions upper and side of the part are applied *   |  |                           |                           |                |
| Termination Strength   | Maximum of 15 pounds (6.8 Kg) load pull test   |  |                           |                           |                |
| * Reliability Test Performance   | Parts should conform to original performance within ±3dB, after 3 hours of recovery and dry period   |  |                           |                           |                |
| Life Test  | Intermittent   | 1,000 hours of a 1 minute on 4 minutes off cycle at room temperature and <b>maximum rated voltage</b>  |                           |                           |                |
|  | Continuous   | 250 hours continuous operation at <b>maximum rated Voltage</b> and maximum Operating Temperatures  |                           |                           |                |
| Warranty   | For a period of one (1) year from date of shipping under normal operations conditions<br>This warranty does not apply to products damaged through misuse, abuse, improper installation, alteration, rework, or attempt to repair |  |                           |                           |                |





### PACKAGING

**ONE TRAY:**

**TWO BUNDLE**

**ONE BUNDLE:**

**SHIPPING BOX**

**TOP COVER**

|        |     |
|--------|-----|
| MODEL  | PCS |
| QTY    | KG  |
| N.W    | KG  |
| G.W    | KG  |
| SIZE   |     |
| LOT NO |     |

| MARKING                | TRAY                |         |
|------------------------|---------------------|---------|
| Bundle                 | X1                  | 34.7 cm |
| Customer PN            | Y1                  | 34.7 cm |
| Other PN if required   | Z1                  | 21.2 cm |
| Quantity               | 42                  |         |
| Lot and/or Date Code   | <b>BUNDLE</b>       |         |
| Bundle Number          | X2                  | cm      |
| <b>Shipping Box</b>    | Y2                  | cm      |
| Customer Part Number   | Z2                  | cm      |
| Other PN (if required) | Quantity            |         |
| Quantity               | <b>SHIPPING BOX</b> |         |
| Lot and/or Date Code   | X3                  | 35 cm   |
| PO Number              | Y3                  | 35 cm   |
| Net Weight             | Z3                  | 22.5 cm |
| Gross Weighjt          | Number of Bundles   | 1       |
| Box Number             | Quantity            | 250     |
| of Number of Boxes     | Approximate Weight  | 10 Kg.  |
| <b>Made in China</b>   |                     |         |