




PRODUCT INFORMATION

Part #: **CE-HCM630ASM**

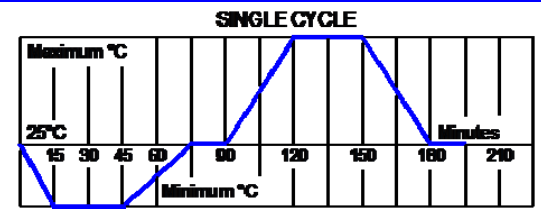
Revision: 3-2012

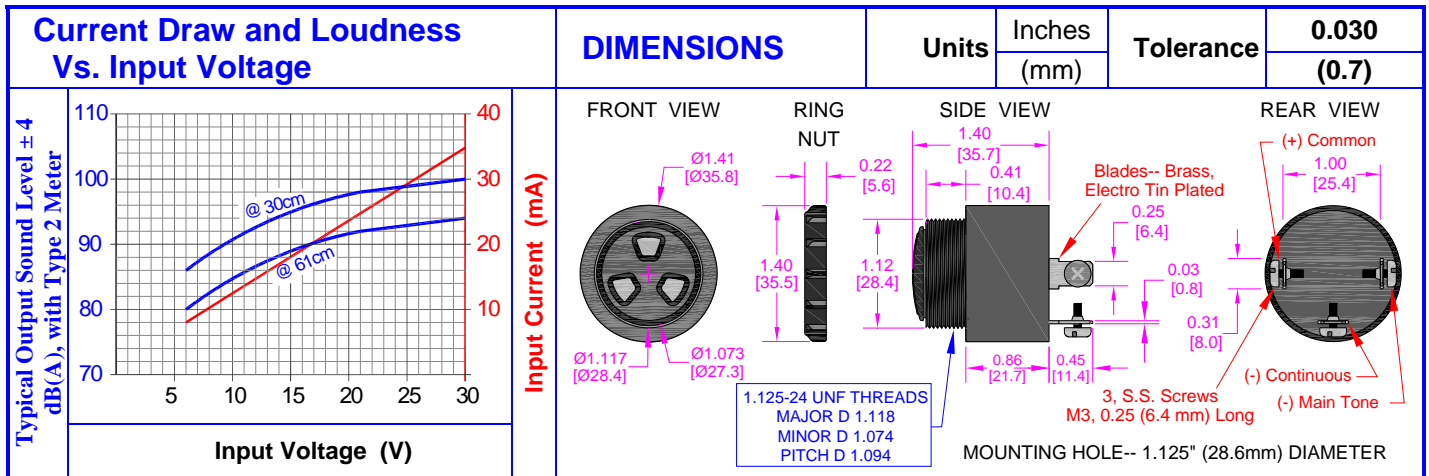


DESCRIPTION	FEATURES	
Challenge Electronics Dual-Function CHIME or CONTINUOUS Tones, MEDIUM Loud, 6 to 30 Vdc, A style case Rear Panel Mounting in 1.125" (28.6 mm) Hole, Sound Pressure Level of 96 dB(A) at 30 Vdc at 61 cm, 2,900 Hz. Output Frequency, S three 0.25" (6.4 mm) Blades with M3 0.25" (6.4 mm) long Stainless Steel Screws termination, Moderate Rate 2 pulses per second, Piezoelectric Alarm, RoHS Compliant	<ul style="list-style-type: none"> ◆ Reliable Solid State Piezoelectric Technology ◆ Corrosion resistant Stainless Steel Diaphragm ◆ Flame Retardant Plastic ◆ Extended storage temperature ◆ Hermetically Sealed Alarm ◆ Water Proof, NEMA 3R, 4X, or 12 with Gasket (not supplied) ◆ RoHS, Lead Free Compliance ◆ ISO 9001 Certified 	

SPECIFICATIONS	
Operating Mode	Medium Loud, Moderate Chime or Continuous Tones
Operating Voltage	6 to 30 Vdc
Operating Frequency	2,900 ± 250 Hz.
Typical Loudness	At Minimum Voltage
	At Maximum Voltage
Typical Operating Current	At Minimum Voltage
	At Maximum Voltage
Operating Temperature	-30°C to +65°C
Surge Voltage	20% over maximum Operating Voltage for less than 5 minutes
Materials	Alarm Case
	Diaphragm
	Encapsulation
	Termination
Physical Dimensions	Length or Diameter (L/D) 1.46" (37.1 mm) ø
Approximate Weight	42 grams
Available Options	Removable Washing Label

RELIABILITY	
Thermal Operating Temperature Test	240 hours continuous operation at Rated Power, at Maximum Rated Operating Temperature *
Thermal Storage Temperature Test	96 hours storage at Maximum Rated Storage Temperatures *
Thermal Shock Test	5 cycles of Minimum and Maximum Operating Temperature Each cycle shall be set per diagram below and is 3 hours long *
Humidity Test	120 Hours at +60°C±2°C. 90-95% RH *
Salt Spray	Withstand exposure to salt spray per ASTM B117 for a period of 300 hours *
Water & Dust Exposure	Withstands water submergence and dust exposure per IP-68 *
Vibration Test	2 Hours at 1.5 mm with 10 to 55 Hz. of vibration frequency to each of 3 perpendicular direction *
Drop Test	Dropped naturally from 1 meter height onto the surface of 10mm wooden board, 2 directions upper and side of the part are applied *
Termination Strength	Maximum of 15 pounds (6.8 Kg) load pull test and of 4 lb. per inch driving torque on screw
* Reliability Test Performance	Parts should conform to original performance within ±3dB, after 3 hours of recovery and dry period
Life Test	Intermittent
	Continuous
Warranty	For a period of one (1) year from date of shipping under normal operations conditions This warranty does not apply to products damaged through misuse, abuse, improper installation, alteration, rework, or attempt to repair





PACKAGING		MARKING		TRAY	
ONE TRAY: 	TWO BUNDLE 	Bundle		X1	34.7 cm
		Customer PN	Dimensions	Y1	34.7 cm
	Other PN if required	Z1		21.2 cm	
	Quantity	Quantity	42		
	Lot and/or Date Code	BUNDLE			
	Bundle Number		X2	cm	
	Shipping Box	Dimensions	Y2	cm	
	Customer Part Number		Z2	cm	
	Other PN (if required)	Quantity			
	Quantity	SHIPPING BOX			
	Lot and/or Date Code		X3	35 cm	
	PO Number	Dimensions	Y3	35 cm	
	Net Weight		Z3	22.5 cm	
	Gross Weighjt	Number of Bundles	1		
	Box Number	Quantity	250		
	of Number of Boxes	Approximate Weight	11 Kg.		
	Made in China				

The information contained herein is believed to be correct, but no guarantee or warranty, express or implied, with respect to accuracy, completeness or results is extended and no liability is assumed.
 Challenge Electronics reserves the right to make changes in any specification, data or material contained herein.