



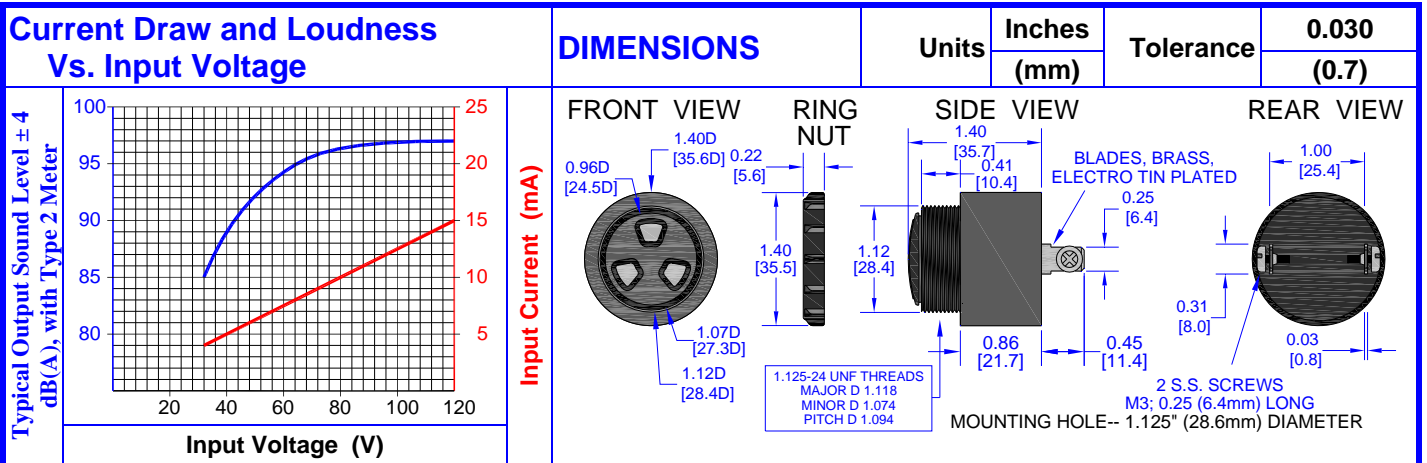
PRODUCT INFORMATION

Part #: **CE-CM170AS**

Revision: 3-2012



DESCRIPTION		FEATURES			
<p>Challenge Electronics CONTINUOUS Tone, MEDIUM Loud, 40 to 120 Vac/dc, A style back panel mounted case, Sound Pressure Level of 97 dB(A) at 120 Vac at 61 cm, 2,900 Hz. Output Frequency, S two 0.25" (6.4 mm) Blades with M3 0.25" (6.4 mm) long Stainless Steel Screws termination, Piezoelectric Alarm, RoHS Compliant</p>		<ul style="list-style-type: none"> ◆ Reliable Solid State Piezoelectric Technology ◆ Corrosion resistant Stainless Steel Diaphragm ◆ Flame Retardant Plastic ◆ Extended storage temperature ◆ Hermetically Sealed Alarm ◆ Water Proof, NEMA 3R, 4X, or 12 with Gasket (not supplied) ◆ RoHS, Lead Free Compliance ◆ ISO 9001 Certified 			
SPECIFICATIONS					
Operating Mode	Medium Loud, Continuous Tones		Pulse Rate		
Operating Voltage	40 to 120 Vac/dc		Nominal Operating Voltage	120 Vac	
Operating Frequency	2,900 ± 250 Hz.				
Typical Loudness	At Minimum Voltage	85 ± 5 dB(A), at 40 Vac, 24 inches (61 cm), 25°C			
	At Maximum Voltage	97 ± 3 dB(A), at 120 Vac, 24 inches (61 cm), 25°C			
Typical Operating Current	At Minimum Voltage	5 mA at 40 Vac	At Maximum Voltage	20 mA at 120 Vac	
	Operating Temperature	-30°C to +65°C		Storage Temperature	-40°C to +105°C
Surge Voltage	20% over maximum Operating Voltage for less than 5 minutes				
Materials	Alarm Case	Plastic, "A" Case, NORYL™, PX9406 or equal, flame retardant UL 94-V0, Black			
	Diaphragm	Stainless Steel 304			
	Encapsulation	Two parts epoxy resign or silicone potting, Black			
	Termination	Two, 0.25 (6.4 mm) Quick Connect Blades, 0.032Ø (0.8Ø mm) Wide, Brass, Electro-Tin plated With M3 0.25" (6.4 mm) long Stainless Steel Screws.			
Physical Dimensions	Length or Diameter (L/D)	1.4" (35.6 mm) Ø	Width (W)	Height (H)	1.4" (35.7 mm)
Approximate Weight	37 grams	Removable Washing Label	No	Compliance	RoHS
Available Options					
RELIABILITY					
Thermal Operating Temperature Test	240 hours continuous operation at Rated Power , at Maximum Rated Operating Temperature *				
	240 hours continuous operation at Rated Power , at Minimum Rated Operating Temperature *				
Thermal Storage Temperature Test	96 hours storage at Maximum Rated Storage Temperatures *				
	96 hours storage at Minimum Rated Storage Temperatures *				
Thermal Shock Test	5 cycles of Minimum and Maximum Operating Temperature Each cycle shall be set per diagram below and is 3 hours long *				<p>SINGLE CYCLE</p> <p>Maximum °C</p> <p>25°C</p> <p>Minutes</p> <p>15 30 45 60 90 120 150 180 210</p> <p>Minimum °C</p>
Humidity Test	120 Hours at +60°C±2°C, 90-95% RH *				
Salt Spray	Withstand exposure to salt spray per ASTM B117 for a period of 300 hours *				
Water & Dust Exposure	Withstands water submergence and dust exposure per IP-68 *				
Vibration Test	2 Hours at 1.5 mm with 10 to 55 Hz. of vibration frequency to each of 3 perpendicular direction *				
Drop Test	Dropped naturally from 1 meter height onto the surface of 10mm wooden board, 2 directions upper and side of the part are applied *				
Termination Strength	Maximum of 15 pounds (6.8 Kg) load pull test and of 4 lb. per inch driving torque on screw				
* Reliability Test Performance	Parts should conform to original performance within ±3dB, after 3 hours of recovery and dry period				
Life Test	Intermittent	1,000 hours of a 1 minute on 4 minutes off cycle at room temperature and maximum rated voltage			
	Continuous	250 hours continuous operation at maximum rated Voltage and maximum Operating Temperatures			
Warranty	For a period of one (1) year from date of shipping under normal operations conditions This warranty does not apply to products damaged through misuse, abuse, improper installation, alteration, rework, or attempt to repair				



PACKAGING

ONE TRAY:		TWO BUNDLE		Tray		
				Dimensions	X1	34.7 cm
					Y1	34.7 cm
					Z1	21.2 cm
				Quantity	42	
ONE BUNDLE:		SHIPPING BOX		SHIPPING BOX		
				Dimensions	X2	35 cm
					Y2	35 cm
					Z2	22.5 cm
				Part Number		
				Customer PN (if required)		
				Number of Trays		
				Quantity	250	
				Lot and/or Date Code		
				PO Number		
				Net Weight		
				Gross Weight		
				Box Number		
				of Number of Boxes		
				Country of Origin	Made in China	