
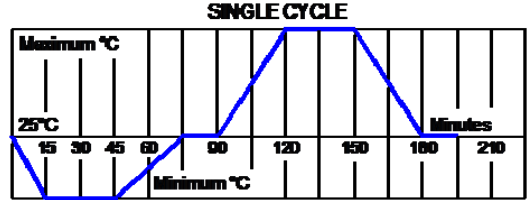


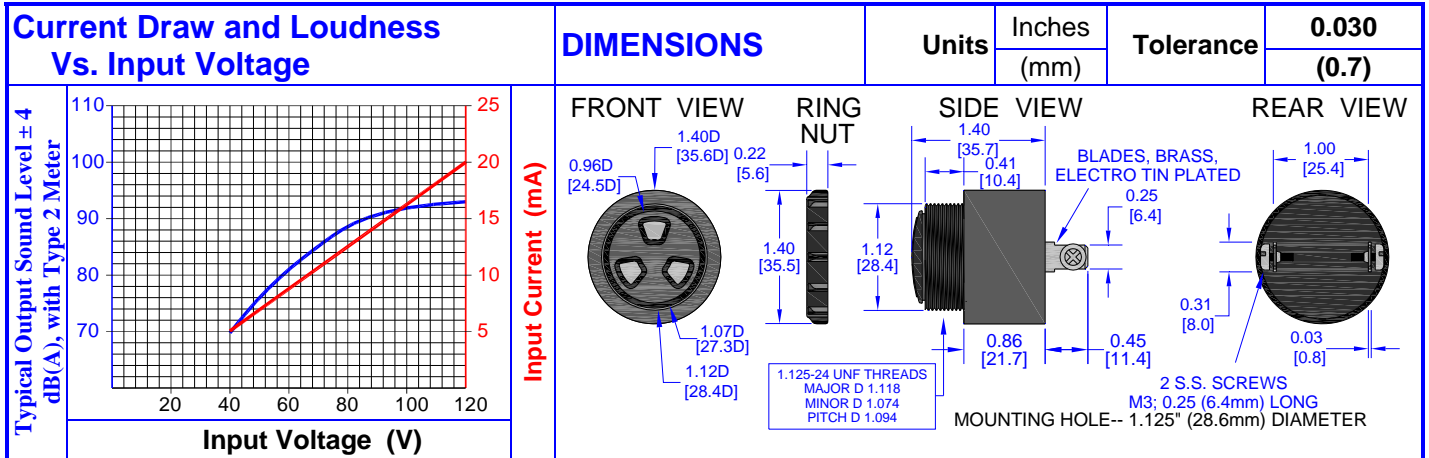


# PRODUCT INFORMATION

**Part #: CE-CM201AS**

**Revision: 3-2013**

DESCRIPTION		FEATURES					
<b>Challenge Electronics CONTINUOUS Tone, MEDIUM Loud, 40 to 120 Vac, A style back panel mounted case, Sound Pressure Level of 93 dB(A) at 117 Vac at 61 cm, 2,900 Hz. Output Frequency, S two 0.25" (6.4 mm) Blades with M3 0.25" (6.4 mm) long Stainless Steel Screws termination, Piezoelectric Alarm, RoHS Compliant</b>		<ul style="list-style-type: none"> <li>◆ Reliable Solid State Piezoelectric Technology</li> <li>◆ Corrosion resistant Stainless Steel Diaphragm</li> <li>◆ Flame Retardant Plastic</li> <li>◆ Extended storage temperature</li> <li>◆ Hermetically Sealed Alarm</li> <li>◆ Water Proof, NEMA 3R, 4X, or 12 with Gasket (not supplied)</li> <li>◆ RoHS</li> <li>◆ ISO 9001 Certified</li> </ul>					
SPECIFICATIONS							
Operating Mode	Medium Loud, Continuous Tones		Pulse Rate				
Operating Voltage	40 to 120 Vac		Nominal Operating Voltage		117 Vac		
Operating Frequency	2,900 ± 500 Hz.						
Typical Loudness	At Minimum Voltage	70 ± 5 dB(A), at 40 Vac, 24 inches (61 cm), 25°C					
	At Maximum Voltage	93 ± 3 dB(A), at 117 Vac, 24 inches (61 cm), 25°C					
Typical Operating Current	At Minimum Voltage	10 mA at 40 Vac	At Maximum Voltage		25 mA at 117 Vac		
	Operating Temperature		Storage Temperature		-40°C to +105°C		
Surge Voltage		20% over maximum Operating Voltage for less than 5 minutes					
Materials	Alarm Case	Plastic, "A" Case, NORYL™, PX9406 or equal, flame retardant UL 94-V0, Black					
	Diaphragm	Stainless Steel 304					
	Encapsulation	Two parts epoxy resin or silicone potting, Black					
	Termination	Two, 0.25 (6.4 mm) Quick Connect Blades, 0.032Ø (0.8Ø mm) Wide, Brass, Electro-Tin plated With M3 0.25" (6.4 mm) long Stainless Steel Screws.					
Physical Dimensions		Length or Diameter (L/D)	1.4" (35.6 mm) Ø	Width (W)		Height (H)	1.4" (35.7 mm)
Approximate Weight		37 grams	Removable Washing Label	No	Compliance	RoHS	
Available Options							
RELIABILITY							
Thermal Operating Temperature Test		240 hours continuous operation at Rated Power, at Maximum Rated Operating Temperature *					
		240 hours continuous operation at Rated Power, at Minimum Rated Operating Temperature *					
Thermal Storage Temperature Test		96 hours storage at Maximum Rated Storage Temperatures *					
		96 hours storage at Minimum Rated Storage Temperatures *					
Thermal Shock Test		5 cycles of Minimum and Maximum Operating Temperature Each cycle shall be set per diagram below and is 3 hours long *					
Humidity Test		120 Hours at +60°C±2°C, 90-95% RH *					
Salt Spray		Withstand exposure to salt spray per ASTM B117 for a period of 300 hours *					
Water & Dust Exposure		Withstands water submergence and dust exposure per IP-68 *					
Vibration Test		2 Hours at 1.5 mm with 10 to 55 Hz. of vibration frequency to each of 3 perpendicular direction *					
Drop Test		Dropped naturally from 1 meter height onto the surface of 10mm wooden board, 2 directions upper and side of the part are applied *					
Termination Strength		Maximum of 15 pounds (6.8 Kg) load pull test and of 4 lb. per inch driving torque on screw					
* Reliability Test Performance		Parts should conform to original performance within ±3dB, after 3 hours of recovery and dry period					
Life Test	Intermittent	1,000 hours of a 1 minute on 4 minutes off cycle at room temperature and Maximum Rated Voltage					
	Continuous	250 hours continuous operation at Maximum Rated Voltage and maximum Operating Temperatures					
Warranty		For a period of one (1) year from date of shipping under normal operations conditions This warranty does not apply to products damaged through misuse, abuse, improper installation, alteration, rework, or attempt to repair					



PACKAGING		MARKING	TRAY															
<b>ONE TRAY:</b>	<b>TWO BUNDLE</b>	<b>Bundle</b>	<b>X1</b>	<b>34.7 cm</b>														
		Part Number	<b>Y1</b>	<b>34.7 cm</b>														
<b>ONE BUNDLE:</b>	<b>SHIPPING BOX</b>	Other PN if required	<b>Z1</b>	<b>21.2 cm</b>														
		Quantity	<b>42</b>															
<b>TOP COVER</b>	ITEM: C/NO: MADE IN CHINA	Lot and/or Date Code	<b>BUNDLE</b>															
		Bundle Number	<b>X2</b>	<b>cm</b>														
<table border="1"> <tr><td>6</td><td>↑↑</td></tr> <tr><td>MODEL</td><td>PCS</td></tr> <tr><td>QTY</td><td>KG</td></tr> <tr><td>N.W</td><td>KG</td></tr> <tr><td>G.W</td><td>KG</td></tr> <tr><td>SIZE</td><td></td></tr> <tr><td>LOT NO</td><td></td></tr> </table>	6	↑↑	MODEL	PCS	QTY	KG	N.W	KG	G.W	KG	SIZE		LOT NO			Shipping Box	<b>Y2</b>	<b>cm</b>
6	↑↑																	
MODEL	PCS																	
QTY	KG																	
N.W	KG																	
G.W	KG																	
SIZE																		
LOT NO																		
		Part Number	<b>Z2</b>	<b>cm</b>														
		Other PN (if required)																
		Quantity	<b>SHIPPING BOX</b>															
		Lot and/or Date Code	<b>X3</b>	<b>35 cm</b>														
		PO Number	<b>Y3</b>	<b>35 cm</b>														
		Net Weight	<b>Z3</b>	<b>22.5 cm</b>														
		Gross Weight	Number of Bundles															
		Box Number of Boxes	<b>1</b>															
		<b>Made in China</b>	Quantity															
			<b>250</b>															
			Approximate Weight															
			<b>9 Kg.</b>															

Revision	Description	By	Date
3-2013	Changed SPL and Frequency Response	Ely Zofan	8/1/2013