



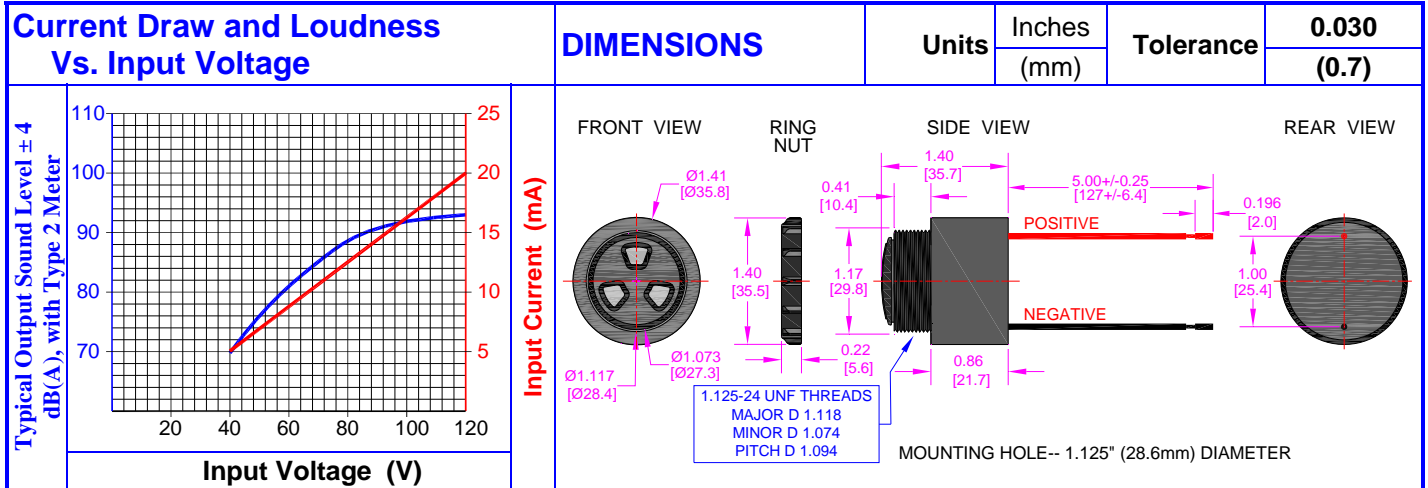
PRODUCT INFORMATION

Part #: **CE-CM201AW**

Revision: 1-2014



DESCRIPTION		FEATURES			
<p>Challenge Electronics CONTINUOUS Tone, MEDIUM Loud, 40 to 120 Vac, A style back panel mounted case, Sound Pressure Level of 93 dB(A) at 117 Vac at 61 cm, 2,900 Hz. Output Frequency, Wire Leads 5" Long termination, Rear Panel Mount Piezoelectric Alarm, RoHS Compliant</p>		<ul style="list-style-type: none"> ◆ Reliable Solid State Piezoelectric Technology ◆ Corrosion resistant Stainless Steel Diaphragm ◆ Flame Retardant Plastic ◆ Extended storage temperature ◆ Hermetically Sealed Alarm ◆ Water Proof, NEMA 3R, 4X, or 12 with Gasket (not supplied) ◆ RoHS, Lead Free Compliance ◆ ISO 9001:2008 & ISO-TS 16949:2009 Certified 			
SPECIFICATIONS					
Operating Mode	Medium Loud, Continuous Tones		Pulse Rate		
Operating Voltage	40 to 120 Vac	Nominal Operating Voltage	117 Vac	Operating Frequency	2,900 ± 500 Hz.
Typical Loudness	At 40 Vac		At 117 Vac		93±3 dB(A)
	70±5 dB(A)				
SPL is measured at 30 cm, 25°C, Sound Level meter # 2240, Type 2, Fast Response, A-Weighted					
Typical Operating Current	10 mA at 40 Vac		25 mA at 117 Vac		
Operating Temperature	-30°C to +65°C		Storage Temperature	-40°C to +105°C	
Surge Voltage	20% over maximum Operating Voltage for less than 5 minutes				
Materials	Alarm Case	Plastic, "A" Case, NORYL™, PX9406 or equal, flame retardant UL 94-V0, Black			
	Diaphragm	Stainless Steel 304			
	Encapsulation	Silicon Potting covering SMD components topped with 2 parts epoxy potting, Black			
	Termination	Two (2) Wires Leads, 18 AWG (7X32), GXL Automotive, Copper, XPLE insulated, 5.0" (127) Long. Struck 0.235 (6.0mm), Red and Black			
Physical Dimensions	Length or Diameter (L/D)	1.4" (35.6 mm) ø	Width (W)	Height (H)	1.4" (35.7 mm)
Approximate Weight	35 grams	Removable Washing Label	No	Compliance	RoHS
Available Options					
RELIABILITY					
Thermal Operating Temperature Test	96 hours continuous operation at Rated Voltage, at Maximum Rated Operating Temperature *				
	96 hours continuous operation at Rated Voltage, at Minimum Rated Operating Temperature *				
Thermal Storage Temperature Test	96 hours storage at Maximum Rated Storage Temperatures *				
	96 hours storage at Minimum Rated Storage Temperatures *				
Thermal Shock Test	5 cycles of Minimum and Maximum Operating Temperature Each cycle shall be set per diagram below and is 3 hours long *				
Humidity Test	120 Hours at +60°C±2°C. 90-95% RH *				
Salt Spray	Withstand exposure to salt spray per ASTM B117 for a period of 300 hours *				
Water & Dust Exposure	Withstands water submergence and dust exposure per IP-68 *				
Vibration Test	2 Hours at 1.5 mm with 10 to 55 Hz. of vibration frequency to each of 3 perpendicular direction *				
Drop Test	Dropped naturally from 1 meter height onto the surface of 10mm wooden board, 2 directions upper and side of the part are applied *				
Termination Strength	Maximum of 15 pounds (6.8 Kg) load pull test				
* Reliability Test Performance	Parts should conform to original performance within ±3 dB, after 3 hours of recovery and dry period				
Life Test	Intermittent	1,000 hours of a 1 minute on 4 minutes off cycle at room temperature and maximum rated voltage			
	Continuous	250 hours continuous operation at maximum rated Voltage and maximum Operating Temperatures			
Warranty	For a period of one (1) year from date of shipping under normal operations conditions This warranty does not apply to products damaged through misuse, abuse, improper installation, alteration, rework, or attempt to repair				



PACKAGING		MARKING	TRAY		
ONE TRAY: 	TWO BUNDLE: 	Bundle	Dimensions	X1	34.7 cm
		Part Number		Y1	34.7 cm
Other PN if required	Z1	21.2 cm			
		Quantity	Quantity	42	
		Lot and/or Date Code	BUNDLE		
ONE BUNDLE: 	SHIPPING BOX: 	Bundle Number	Dimensions	X2	cm
		Shipping Box		Y2	cm
Part Number	Z2	cm			
		Other PN (if required)	Quantity		
		Quantity	SHIPPING BOX		
		Lot and/or Date Code	Dimensions	X3	35 cm
		PO Number		Y3	35 cm
		Net Weight		Z3	22.5 cm
		Gross Weight	Number of Bundles	1	
		Box Number of Boxes	Quantity	250	
		Made in China	Approximate Weight	9 Kg.	

Revision	Description	By	Date
1-2014	Modified the Sound Pressure Specifications	Ely Zofan	5/14/2014