

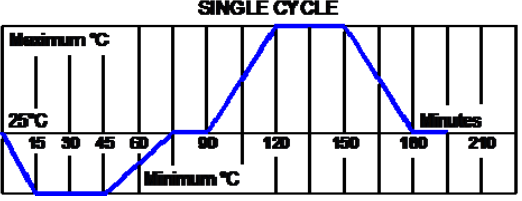


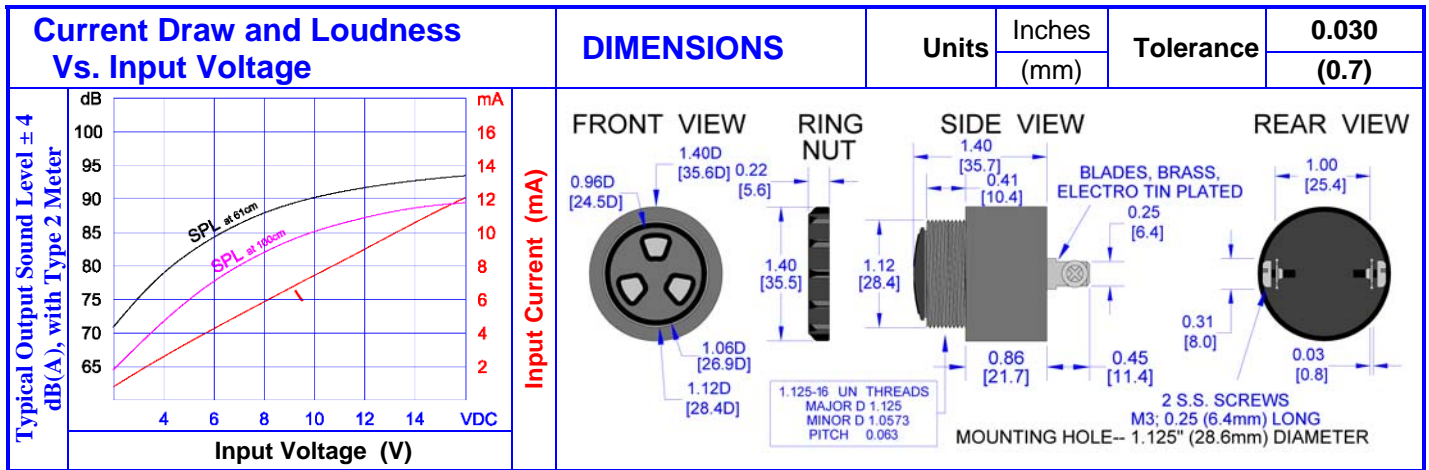
# PRODUCT INFORMATION

**Part #: CE-CM216AS**

**Revision: 3-2018**



DESCRIPTION		FEATURES						
<b>Challenge Electronics CONTINUOUS Tone, MEDIUM Loud, 2 to 16 Vdc, A style case Rear Panel Mounting in 1.125" (28.6 mm) Hole, Sound Pressure Level of 96 dB(A) at 16 Vdc at 61 cm, 2,900 Hz. Output Frequency, S two 0.25" (6.4 mm) Blades with M3 0.25" (6.4 mm) long Stainless Steel Screws termination, Piezoelectric Alarm, RoHS Compliant</b>		<ul style="list-style-type: none"> <li>◆ Reliable Solid State Piezoelectric Technology</li> <li>◆ Corrosion resistant Stainless Steel Diaphragm</li> <li>◆ Flame Retardant Plastic</li> <li>◆ Extended storage temperature</li> <li>◆ Hermetically Sealed Alarm</li> <li>◆ Water Proof, NEMA 3R, 4X, or 12 with Gasket (not supplied)</li> <li>◆ RoHS, Lead Free Compliance</li> <li>◆ ISO 9001 Certified</li> </ul>						
<b>SPECIFICATIONS</b>								
Operating Mode	Medium Loud, Continuous Tone					Pulse Rate		
Operating Voltage	2 to 16 Vdc					Nominal Operating Voltage		
Operating Frequency	2,900 ± 500 Hz.							
Typical Loudness	At Minimum Voltage					70 ± 5 dB(A), at 2 Vdc, 24 inches (61 cm), 25°C		
	At Maximum Voltage					96 ± 3 dB(A), at 16 Vdc, 24 inches (61 cm), 25°C		
Typical Operating Current	At Minimum Voltage					2 mA at 2 Vdc	At Maximum Voltage	15 mA at 16 Vdc
Operating Temperature	-30°C to +65°C					Storage Temperature	-40°C to +105°C	
Surge Voltage	20% over maximum Operating Voltage for less than 5 minutes							
Materials	Alarm Case					Plastic, "A" Case, NORYL™, PX9406 or equal, flame retardant UL 94-V0, Black		
	Diaphragm					Stainless Steel 304		
	Encapsulation					Two parts epoxy resign or silicone potting, Black		
	Termination					Two, 0.25 (6.4 mm) Quick Connect Blades, 0.032 Ø (0.8 Ø mm) Wide, Brass, Electro-Tin plated With M3, 0.25" (6.4 mm) long Stainless Steel Screws.		
Physical Dimensions	Length or Diameter (L/D)					1.4" (35.6 mm) Ø	Width (W)	Height (H)
Approximate Weight	37 grams	Removable Washing Label	No	Compliance				
Available Options	RoHS							
<b>RELIABILITY</b>								
Thermal Operating Temperature Test	240 hours continuous operation at Rated Power, at Maximum Rated Operating Temperature *							
	240 hours continuous operation at Rated Power, at Minimum Rated Operating Temperature *							
Thermal Storage Temperature Test	96 hours storage at Maximum Rated Storage Temperatures *							
	96 hours storage at Minimum Rated Storage Temperatures *							
Thermal Shock Test	5 cycles of Minimum and Maximum Operating Temperature Each cycle shall be set per diagram below and is 3 hours long *							
Humidity Test	120 Hours at +60°C±2°C, 90-95% RH *							
Salt Spray	Withstand exposure to salt spray per ASTM B117 for a period of 300 hours *							
Water & Dust Exposure	Withstands water submergence and dust exposure per IP-68 *							
Vibration Test	2 Hours at 1.5 mm with 10 to 55 Hz. of vibration frequency to each of 3 perpendicular direction *							
Drop Test	Dropped naturally from 1 meter height onto the surface of 10 mm wooden board, 2 directions upper and side of the part are applied *							
Termination Strength	Maximum of 15 pounds (6.8 Kg) load pull test and of 4 lb. per inch driving torque on screw							
* Reliability Test Performance	Parts should conform to original performance within ±3dB, after 3 hours of recovery and dry period							
Life Test	Intermittent	1,000 hours of a 1 minute on 4 minutes off cycle at room temperature and Maximum Rated Voltage						
	Continuous	250 hours continuous operation at Maximum Rated Voltage and maximum Operating Temperatures						
Warranty	For a period of one (1) year from date of shipping under normal operations conditions This warranty does not apply to products damaged through misuse, abuse, improper installation, alteration, rework, or attempt to repair							



PACKAGING		Tray	
<b>ONE TRAY:</b> 	<b>TWO BUNDLE</b> 	Dimensions	X1 <b>34.7 cm</b>
			Y1 <b>34.7 cm</b>
			Z1 <b>21.2 cm</b>
		Quantity	<b>42</b>
		SHIPPING BOX	
<b>ONE BUNDLE:</b> 	<b>SHIPPING BOX</b> 	Dimensions	X2 <b>35 cm</b>
			Y2 <b>35 cm</b>
			Z2 <b>22.5 cm</b>
		Part Number	
		Customer PN (if required)	
		Number of Trays	
		Quantity	<b>250</b>
		Lot and/or Date Code	
		PO Number	
		Net Weight	
		Gross Weight	
		Box Number	
		of Number of Boxes	
		Country of Origin	<b>Made in China</b>

Revision	Description	By	Date
3-2018	Updated typical loudness at maximum voltage from 93 ± 3 dB(A) to 96 ± 3 dB(A). Updated mechanical drawing with new thread dimensions.	JL	4/9/2018