


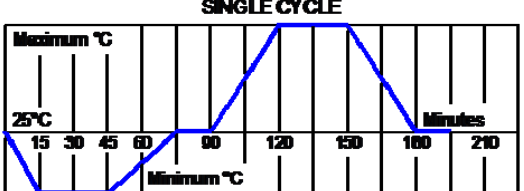


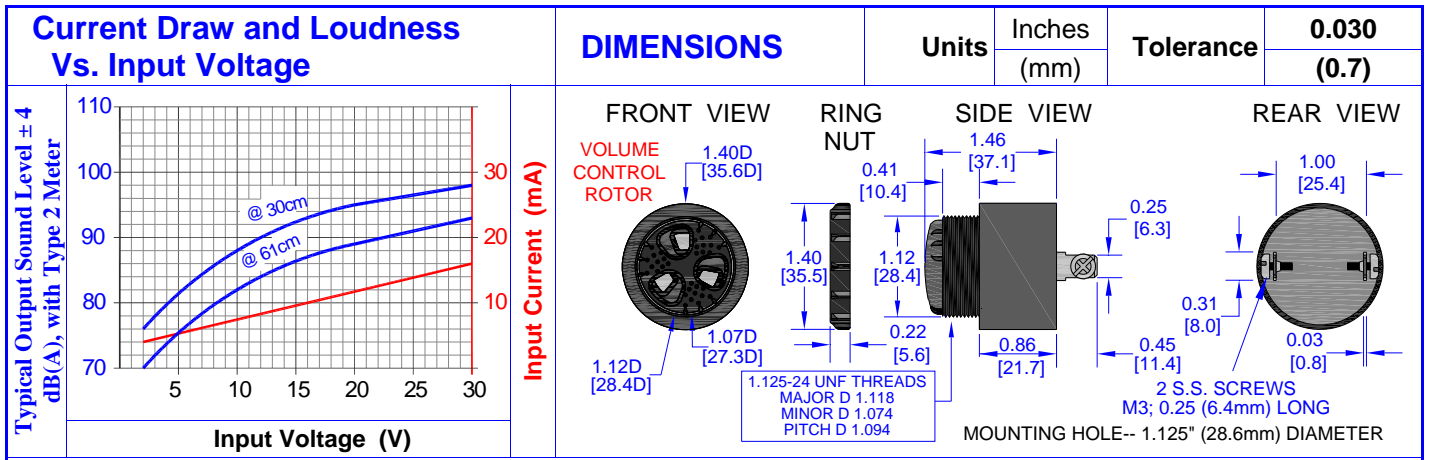
PRODUCT INFORMATION

Part #: CE-CM230AVS

Revision: 3-2012



DESCRIPTION		FEATURES			
Challenge Electronics CONTINUOUS Tone, MEDIUM Loud, 2 to 30 Vdc, A style back panel mounted case, Sound Pressure Level of 93 dB(A) at 30 Vdc at 61 cm, 2,900 Hz. Output Frequency, S two 0.25" (6.4 mm) Blades with M3 0.25" (6.4 mm) long Stainless Steel Screws termination, Piezoelectric Alarm, RoHS Compliant		<ul style="list-style-type: none"> ◆ Reliable Solid State Piezoelectric Technology ◆ Corrosion resistant Stainless Steel Diaphragm ◆ Flame Retardant Plastic ◆ Extended storage temperature ◆ Hermetically Sealed Alarm ◆ Water Proof, NEMA 3R, 4X, or 12 with Gasket (not supplied) ◆ RoHS, Lead Free Compliance ◆ ISO 9001 Certified 			
SPECIFICATIONS					
Operating Mode	Medium Loud, Continuous Tones				
Operating Voltage	2 to 30 Vdc	Nominal Operating Voltage	24 Vdc		
Operating Frequency	2,900 ± 500 Hz.				
Typical Loudness	At Minimum Voltage	70 ± 5 dB(A), at 2 Vdc, 24 inches (61 cm), 25°C			
	At Maximum Voltage	93 ± 3 dB(A), at 30 Vdc, 24 inches (61 cm), 25°C			
Volume Control	Maximum Sound Pressure Level can be restricted up to 20 dB from maximum output. (Note, The Volume Control Rotor may reduce maximum loudness) To install, simply, push the ROTOR onto the front of alarm until it snapped in place To attenuate sound, while alarm is turned on, rotate the ROTOR until maximum desired sound is achieved				
Typical Operating Current	At Minimum Voltage	5 mA at 2 Vdc	At Maximum Voltage	20 mA at 30 Vdc	
Operating Temperature	-30°C to +65°C		Storage Temperature	-40°C to +105°C	
Surge Voltage	20% over maximum Operating Voltage for less than 5 minutes				
Materials	Alarm Case	Plastic, "A" Case, NORYL™, PX9406 or equal, flame retardant UL 94-V0, Black			
	Diaphragm	Stainless Steel 304			
	Encapsulation	Two parts epoxy resin or silicone potting, Black			
	Termination	Two, 0.25 (6.4 mm) Quick Connect Blades, 0.032Ø (0.8Ø mm) Wide, Brass, Electro-Tin plated With M3 0.25" (6.4 mm) long Stainless Steel Screws.			
Physical Dimensions	Length or Diameter (L/D)	1.4" (35.6 mm) Ø	Width (W)	Height (H) 1.46" (37.1 mm)	
Approximate Weight	39 grams	Removable Washing Label	No	Compliance RoHS	
Available Options					
RELIABILITY					
Thermal Operating Temperature Test	240 hours continuous operation at Rated Power , at Maximum Rated Operating Temperature * 240 hours continuous operation at Rated Power , at Minimum Rated Operating Temperature *				
Thermal Storage Temperature Test	96 hours storage at Maximum Rated Storage Temperatures * 96 hours storage at Minimum Rated Storage Temperatures *				
Thermal Shock Test	5 cycles of Minimum and Maximum Operating Temperature Each cycle shall be set per diagram below and is 3 hours long *				
Humidity Test	120 Hours at +60°C±2°C, 90-95% RH *				
Salt Spray	Withstand exposure to salt spray per ASTM B117 for a period of 300 hours *				
Water & Dust Exposure	Withstands water submergence and dust exposure per IP-68 *				
Vibration Test	2 Hours at 1.5 mm with 10 to 55 Hz. of vibration frequency to each of 3 perpendicular direction *				
Drop Test	Dropped naturally from 1 meter height onto the surface of 10mm wooden board, 2 directions upper and side of the part are applied *				
Termination Strength	Maximum of 15 pounds (6.8 Kg) load pull test and of 4 lb. per inch driving torque on screw				
* Reliability Test Performance	Parts should conform to original performance within ±3dB, after 3 hours of recovery and dry period				
Life Test	Intermittent	1,000 hours of a 1 minute on 4 minutes off cycle at room temperature and Maximum Rated Voltage			
	Continuous	250 hours continuous operation at Maximum Rated Voltage and maximum Operating Temperatures			
Warranty	For a period of one (1) year from date of shipping under normal operations conditions This warranty does not apply to products damaged through misuse, abuse, improper installation, alteration, rework, or attempt to repair				



PACKAGING																						
<p>ONE TRAY:</p>	<p>TWO BUNDLE</p>	<p>Tray</p> <table border="1"> <tr> <td>Dimensions</td> <td>X1</td> <td>34.7 cm</td> </tr> <tr> <td></td> <td>Y1</td> <td>34.7 cm</td> </tr> <tr> <td></td> <td>Z1</td> <td>21.2 cm</td> </tr> <tr> <td>Quantity</td> <td colspan="2">42</td> </tr> </table>	Dimensions	X1	34.7 cm		Y1	34.7 cm		Z1	21.2 cm	Quantity	42									
Dimensions	X1	34.7 cm																				
	Y1	34.7 cm																				
	Z1	21.2 cm																				
Quantity	42																					
<p>ONE BUNDLE:</p>	<p>SHIPPING BOX</p>	<p>SHIPPING BOX</p> <table border="1"> <tr> <td>Dimensions</td> <td>X2</td> <td>35 cm</td> </tr> <tr> <td></td> <td>Y2</td> <td>35 cm</td> </tr> <tr> <td></td> <td>Z2</td> <td>22.5 cm</td> </tr> <tr> <td>Quantity</td> <td colspan="2">250</td> </tr> <tr> <td>Country of Origin</td> <td colspan="2">Made in China</td> </tr> </table>	Dimensions	X2	35 cm		Y2	35 cm		Z2	22.5 cm	Quantity	250		Country of Origin	Made in China						
Dimensions	X2	35 cm																				
	Y2	35 cm																				
	Z2	22.5 cm																				
Quantity	250																					
Country of Origin	Made in China																					
<p>TOP COVER</p>	<p>ITEM: [] CNO: [] MADE IN CHINA</p>	<p>Labels on shipping box:</p> <table border="1"> <tr> <td>6</td> <td>↑↑</td> </tr> <tr> <td>↑↑</td> <td>↑↑</td> </tr> <tr> <td>↑↑</td> <td>↑↑</td> </tr> <tr> <td>↑↑</td> <td>↑↑</td> </tr> </table> <table border="1"> <tr> <td>MODEL</td> <td>PCS</td> </tr> <tr> <td>QTY</td> <td>KG</td> </tr> <tr> <td>NW</td> <td>KG</td> </tr> <tr> <td>G.W</td> <td>KG</td> </tr> <tr> <td>SIZE</td> <td></td> </tr> <tr> <td>LOT NO</td> <td></td> </tr> </table>	6	↑↑	↑↑	↑↑	↑↑	↑↑	↑↑	↑↑	MODEL	PCS	QTY	KG	NW	KG	G.W	KG	SIZE		LOT NO	
6	↑↑																					
↑↑	↑↑																					
↑↑	↑↑																					
↑↑	↑↑																					
MODEL	PCS																					
QTY	KG																					
NW	KG																					
G.W	KG																					
SIZE																						
LOT NO																						

The information contained herein is believed to be correct, but no guarantee or warranty, express or implied, with respect to accuracy, completeness or results is extended and no liability is assumed. Challenge Electronics reserves the right to make changes in any specification, data or material contained herein.