
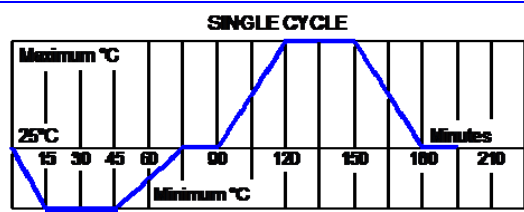


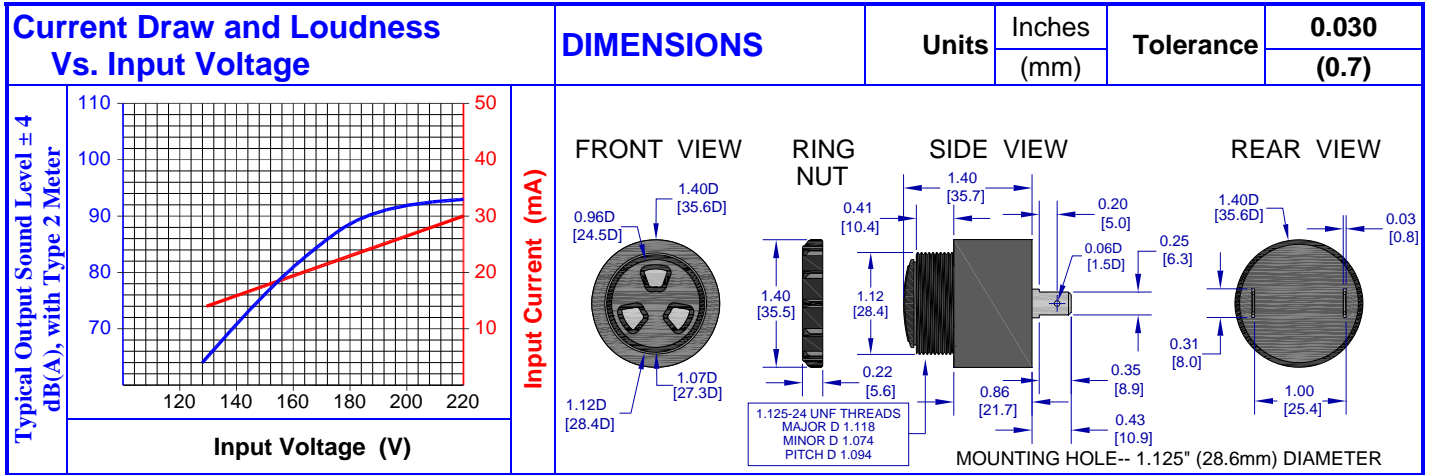


PRODUCT INFORMATION

Part #: CE-CM301AQ

Revision: 3-2013

DESCRIPTION		FEATURES						
Challenge Electronics CONTINUOUS Tone, MEDIUM Loud, 130 to 220 Vac, A style back panel mounted case, Sound Pressure Level of 93 dB(A) at 217 Vac at 61 cm, 2,900 Hz. Output Frequency, Quick Connect Blades termination, Piezoelectric Alarm, RoHS Compliant		<ul style="list-style-type: none"> ◆ Reliable Solid State Piezoelectric Technology ◆ Corrosion resistant Stainless Steel Diaphragm ◆ Flame Retardant Plastic ◆ Extended storage temperature ◆ Hermetically Sealed Alarm ◆ Water Proof, NEMA 3R, 4X, or 12 with Gasket (not supplied) ◆ RoHS ◆ ISO 9001 Certified 						
SPECIFICATIONS								
Operating Mode	Medium Loud, Continuous Tones					Pulse Rate		
Operating Voltage	130 to 220 Vac					Nominal Operating Voltage		220 Vac
Operating Frequency	2,900 ± 500 Hz.							
Typical Loudness	At Minimum Voltage					70 ± 5 dB(A), at 130 Vac, 24 inches (61 cm), 25°C		
	At Maximum Voltage					93 ± 3 dB(A), at 220 Vac, 24 inches (61 cm), 25°C		
Typical Operating Current	At Minimum Voltage					15 mA at 130 Vac	At Maximum Voltage	30 mA at 220 Vac
Operating Temperature	-30°C to +65°C					Storage Temperature	-40°C to +105°C	
Surge Voltage	20% over maximum Operating Voltage for less than 5 minutes							
Materials	Alarm Case					Plastic, "A" Case, NORYL™, PX9406 or equal, flame retardant UL 94-V0, Black		
	Diaphragm					Stainless Steel 304		
	Encapsulation					Two parts epoxy resign or silicone potting, Black		
	Termination					Two 2 0.25 (6.4 mm) Quick Connect Blades, 0.032Ø (0.8Ømm) wide, Brass, Electro-Tin plated		
Physical Dimensions	Length or Diameter (L/D)					1.4" (35.6 mm) Ø	Width (W)	Height (H) 1.4" (35.7 mm)
Approximate Weight	35 grams					Removable Washing Label	No	Compliance RoHS
Available Options								
RELIABILITY								
Thermal Operating Temperature Test	240 hours continuous operation at Rated Power, at Maximum Rated Operating Temperature *							
	240 hours continuous operation at Rated Power, at Minimum Rated Operating Temperature *							
Thermal Storage Temperature Test	96 hours storage at Maximum Rated Storage Temperatures *							
	96 hours storage at Minimum Rated Storage Temperatures *							
Thermal Shock Test	5 cycles of Minimum and Maximum Operating Temperature Each cycle shall be set per diagram below and is 3 hours long *							
Humidity Test	120 Hours at +60°C±2°C, 90-95% RH *							
Salt Spray	Withstand exposure to salt spray per ASTM B117 for a period of 300 hours *							
Water & Dust Exposure	Withstands water submergence and dust exposure per IP-68 *							
Vibration Test	2 Hours at 1.5 mm with 10 to 55 Hz. of vibration frequency to each of 3 perpendicular direction *							
Drop Test	Dropped naturally from 1 meter height onto the surface of 10mm wooden board, 2 directions upper and side of the part are applied *							
Termination Strength	Maximum of 15 pounds (6.8 Kg) load pull test							
* Reliability Test Performance	Parts should conform to original performance within ±3dB, after 3 hours of recovery and dry period							
Life Test	Intermittent	1,000 hours of a 1 minute on 4 minutes off cycle at room temperature and Maximum Rated Voltage						
	Continuous	250 hours continuous operation at Maximum Rated Voltage and maximum Operating Temperatures						
Warranty	For a period of one (1) year from date of shipping under normal operations conditions This warranty does not apply to products damaged through misuse, abuse, improper installation, alteration, rework, or attempt to repair							



PACKAGING		MARKING	TRAY													
<p>ONE TRAY: X1, Y1</p> <p>TWO BUNDLE</p> <p>ONE BUNDLE: X2, Y2</p> <p>SHIPPING BOX X3, Y3, Z3</p> <p>ITEM: C/NO: MADE IN CHINA</p> <p>TOP COVER</p> <table border="1"> <tr><td>6</td><td>↑↑</td></tr> <tr><td>QTY</td><td>PCS</td></tr> <tr><td>N.W</td><td>KG</td></tr> <tr><td>G.W</td><td>KG</td></tr> <tr><td>SIZE</td><td>KG</td></tr> <tr><td>LOT NO</td><td></td></tr> </table>	6	↑↑	QTY	PCS	N.W	KG	G.W	KG	SIZE	KG	LOT NO		Bundle	Dimensions	X1	34.7 cm
	6	↑↑														
	QTY	PCS														
	N.W	KG														
	G.W	KG														
	SIZE	KG														
	LOT NO															
	Part Number	Quantity	Y1	34.7 cm												
	Other PN if required		Z1	21.2 cm												
	Quantity		42													
Lot and/or Date Code	BUNDLE															
Bundle Number		X2	cm													
Shipping Box	Dimensions	Y2	cm													
Part Number		Z2	cm													
Other PN (if required)	Quantity															
Quantity	SHIPPING BOX															
Lot and/or Date Code		X3	35 cm													
PO Number	Dimensions	Y3	35 cm													
Net Weight		Z3	22.5 cm													
Gross Weight	Number of Bundles	1														
Box Number of Boxes	Quantity	250														
Made in China	Approximate Weight	9 Kg.														

Revision	Description	By	Date
3-2013	Changed SPL and Frequency Response	Ely Zofan	8/1/2013