
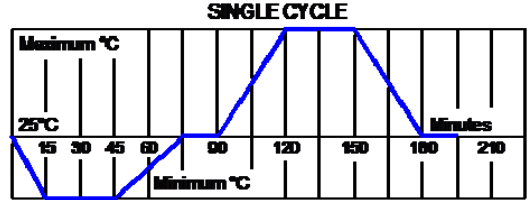


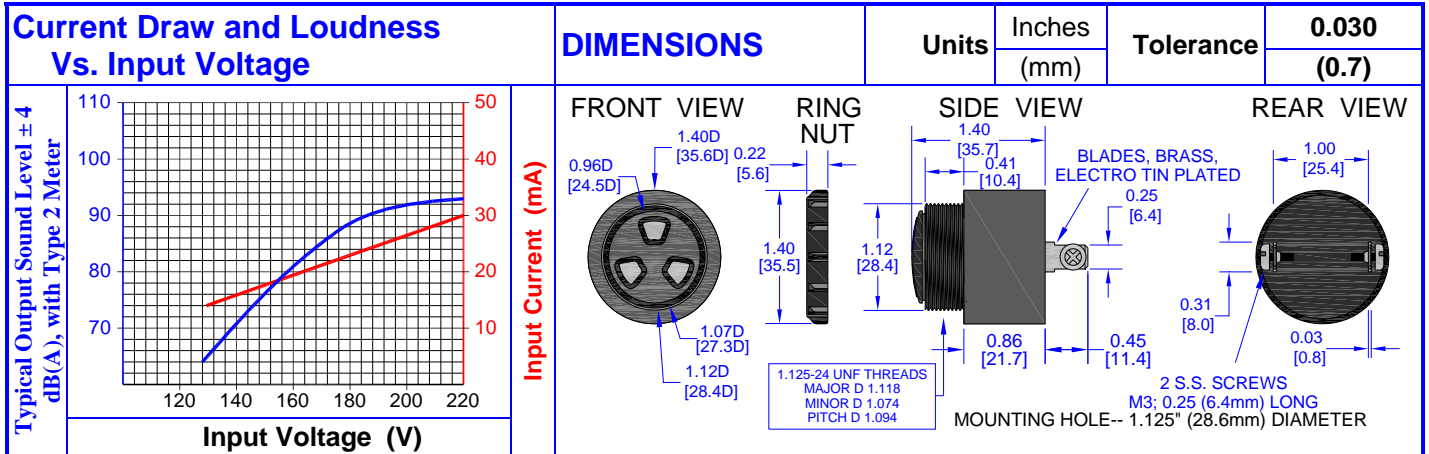


PRODUCT INFORMATION

Part #: CE-CM301AS

Revision: 3-2013

DESCRIPTION		FEATURES					
Challenge Electronics CONTINUOUS Tone, MEDIUM Loud, 130 to 220 Vac, A style back panel mounted case, Sound Pressure Level of 93 dB(A) at 220 Vac at 61 cm, 2,900 Hz. Output Frequency, S two 0.25" (6.4 mm) Blades with M3 0.25" (6.4 mm) long Stainless Steel Screws termination, Piezoelectric Alarm, RoHS Compliant		<ul style="list-style-type: none"> ◆ Reliable Solid State Piezoelectric Technology ◆ Corrosion resistant Stainless Steel Diaphragm ◆ Flame Retardant Plastic ◆ Extended storage temperature ◆ Hermetically Sealed Alarm ◆ Water Proof, NEMA 3R, 4X, or 12 with Gasket (not supplied) ◆ RoHS ◆ ISO 9001 Certified 					
SPECIFICATIONS							
Operating Mode	Medium Loud, Continuous Tones		Pulse Rate				
Operating Voltage	130 to 220 Vac		Nominal Operating Voltage		220 Vac		
Operating Frequency	2,900 ± 500 Hz.						
Typical Loudness	At Minimum Voltage	70 ± 5 dB(A), at 130 Vac, 24 inches (61 cm), 25°C					
	At Maximum Voltage	93 ± 3 dB(A), at 220 Vac, 24 inches (61 cm), 25°C					
Typical Operating Current	At Minimum Voltage	15 mA at 130 Vac	At Maximum Voltage		30 mA at 220 Vac		
	Operating Temperature		-30°C to +65°C		Storage Temperature		
Surge Voltage		20% over maximum Operating Voltage for less than 5 minutes					
Materials	Alarm Case	Plastic, "A" Case, NORYL™, PX9406 or equal, flame retardant UL 94-V0, Black					
	Diaphragm	Stainless Steel 304					
	Encapsulation	Two parts epoxy resin or silicone potting, Black					
	Termination	Two, 0.25 (6.4 mm) Quick Connect Blades, 0.032Ø (0.8Ø mm) Wide, Brass, Electro-Tin plated With M3 0.25" (6.4 mm) long Stainless Steel Screws.					
Physical Dimensions		Length or Diameter (L/D)	1.4" (35.6 mm) Ø	Width (W)		Height (H)	
Approximate Weight		37 grams	Removable Washing Label	No	Compliance	RoHS	
Available Options							
RELIABILITY							
Thermal Operating Temperature Test	240 hours continuous operation at Rated Power, at Maximum Rated Operating Temperature *						
	240 hours continuous operation at Rated Power, at Minimum Rated Operating Temperature *						
Thermal Storage Temperature Test	96 hours storage at Maximum Rated Storage Temperatures *						
	96 hours storage at Minimum Rated Storage Temperatures *						
Thermal Shock Test	5 cycles of Minimum and Maximum Operating Temperature Each cycle shall be set per diagram below and is 3 hours long *						
Humidity Test	120 Hours at +60°C±2°C, 90-95% RH *						
Salt Spray	Withstand exposure to salt spray per ASTM B117 for a period of 300 hours *						
Water & Dust Exposure	Withstands water submergence and dust exposure per IP-68 *						
Vibration Test	2 Hours at 1.5 mm with 10 to 55 Hz. of vibration frequency to each of 3 perpendicular direction *						
Drop Test	Dropped naturally from 1 meter height onto the surface of 10mm wooden board, 2 directions upper and side of the part are applied *						
Termination Strength	Maximum of 15 pounds (6.8 Kg) load pull test and of 4 lb. per inch driving torque on screw						
* Reliability Test Performance	Parts should conform to original performance within ±3dB, after 3 hours of recovery and dry period						
Life Test	Intermittent	1,000 hours of a 1 minute on 4 minutes off cycle at room temperature and Maximum Rated Voltage					
	Continuous	250 hours continuous operation at Maximum Rated Voltage and maximum Operating Temperatures					
Warranty	For a period of one (1) year from date of shipping under normal operations conditions This warranty does not apply to products damaged through misuse, abuse, improper installation, alteration, rework, or attempt to repair						



PACKAGING		MARKING		TRAY	
ONE TRAY:	TWO BUNDLE	Bundle		X1	34.7 cm
		Part Number	Dimensions	Y1	34.7 cm
ONE BUNDLE:	SHIPPING BOX	Other PN if required		Z1	21.2 cm
		Quantity		42	
TOP COVER	ITEM: C/NO: MADE IN CHINA	Lot and/or Date Code	BUNDLE		
		Bundle Number	X2	cm	
MODEL	QTY	Shipping Box	Dimensions	Y2	cm
QTY	PCS	Part Number		Z2	cm
N.W	KG	Other PN (if required)		SHIPPING BOX	
G.W	KG	Quantity	X3	35 cm	
SIZE	KG	Lot and/or Date Code	Y3	35 cm	
LOT NO		PO Number	Z3	22.5 cm	
		Net Weight	1		
		Gross Weight	250		
		Box Number of Boxes	9 Kg.		
		Made in China	Approximate Weight		
Revision	Description	By	Date		
3-2013	Changed SPL and Frequency Response	Ely Zofan	8/1/2013		