
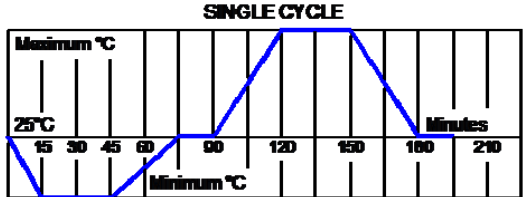


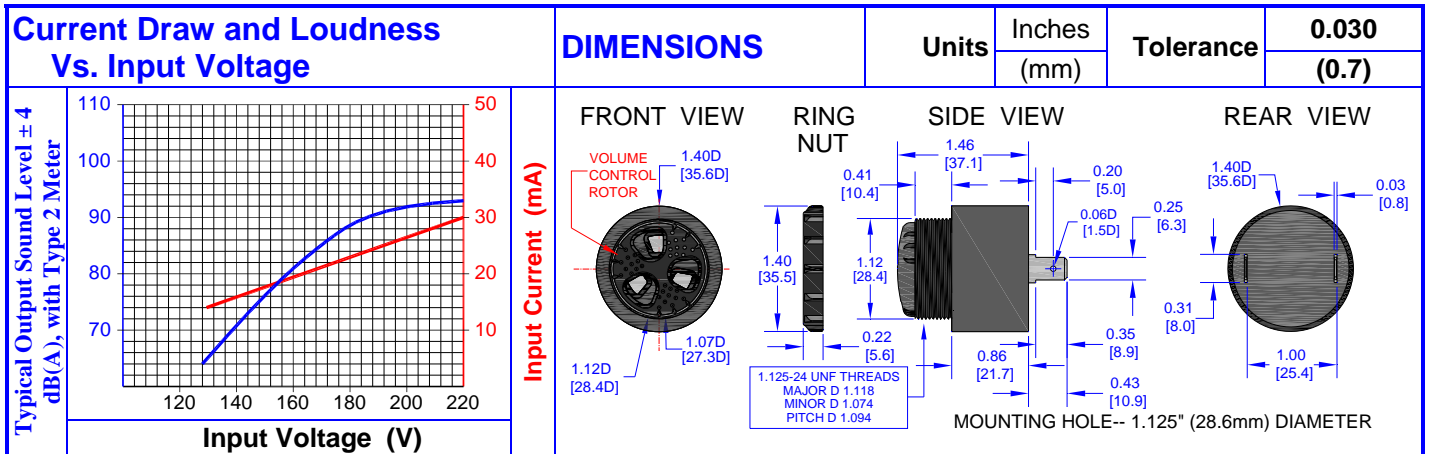


PRODUCT INFORMATION

Part #: CE-CM301AVQ

Revision: 3-2013

DESCRIPTION		FEATURES						
Challenge Electronics CONTINUOUS Tone, MEDIUM Loud, 130 to 220 Vac, A style back panel mounted case, Sound Pressure Level of 93 dB(A) at 220 Vac at 61 cm, 2,900 Hz. Output Frequency, Quick Connect Blades termination, Piezoelectric Alarm with a mechanical Volume Control, RoHS Compliant		<ul style="list-style-type: none"> ◆ Reliable Solid State Piezoelectric Technology ◆ Corrosion resistant Stainless Steel Diaphragm ◆ Flame Retardant Plastic ◆ Extended storage temperature ◆ Hermetically Sealed Alarm ◆ Water Proof, NEMA 3R, 4X, or 12 with Gasket (not supplied) ◆ RoHS ◆ ISO 9001 Certified 						
SPECIFICATIONS								
Operating Mode	Medium Loud, Continuous Tones					Pulse Rate		
Operating Voltage	130 to 220 Vac					Nominal Operating Voltage		220 Vac
Operating Frequency	2,900 ± 500 Hz.							
Typical Loudness	At Minimum Voltage					70 ± 5 dB(A), at 130 Vac, 24 inches (61 cm), 25°C		
	At Maximum Voltage					93 ± 3 dB(A), at 220 Vac, 24 inches (61 cm), 25°C		
Volume Control	Maximum Sound Pressure Level can be restricted up to 20 dB from maximum output. (Note, The Volume Control Rotor may reduce maximum loudness) To install, simply, push the ROTOR onto the front of alarm until it snapped in place To attenuate sound, while alarm is turned on, rotate the ROTOR until maximum desired sound is achieved							
Typical Operating Current	At Minimum Voltage					15 mA at 130 Vac	At Maximum Voltage	30 mA at 220 Vac
Operating Temperature	-30°C to +65°C					Storage Temperature	-40°C to +105°C	
Surge Voltage	20% over maximum Operating Voltage for less than 5 minutes							
Materials	Alarm Case					Plastic, "A" Case, NORYL™, PX9406 or equal, flame retardant UL 94-V0, Black		
	Diaphragm					Stainless Steel 304		
	Encapsulation					Two parts epoxy resin or silicone potting, Black		
	Termination					Two 2 0.25 (6.4 mm) Quick Connect Blades, 0.032Ø (0.8Ømm) wide, Brass, Electro-Tin plated		
Physical Dimensions	Length or Diameter (L/D)	1.4" (35.6 mm) Ø	Width (W)	Height (H)	1.46" (37.1 mm)			
Approximate Weight	37 grams	Removable Washing Label	No	Compliance	RoHS			
Available Options								
RELIABILITY								
Thermal Operating Temperature Test	240 hours continuous operation at Rated Power, at Maximum Rated Operating Temperature *							
	240 hours continuous operation at Rated Power, at Minimum Rated Operating Temperature *							
Thermal Storage Temperature Test	96 hours storage at Maximum Rated Storage Temperatures *							
	96 hours storage at Minimum Rated Storage Temperatures *							
Thermal Shock Test	5 cycles of Minimum and Maximum Operating Temperature Each cycle shall be set per diagram below and is 3 hours long *							
Humidity Test	120 Hours at +60°C±2°C. 90-95% RH *							
Salt Spray	Withstand exposure to salt spray per ASTM B117 for a period of 300 hours *							
Water & Dust Exposure	Withstands water submergence and dust exposure per IP-68 *							
Vibration Test	2 Hours at 1.5mm with 10 to 55Hz. of vibration frequency to each of 3 perpendicular direction *							
Drop Test	Dropped naturally from 1 meter height onto the surface of 10mm wooden board, 2 directions upper and side of the part are applied *							
Termination Strength	Maximum of 15 pounds (6.8 Kg) load pull test							
* Reliability Test Performance	Parts should conform to original performance within ±3dB, after 3 hours of recovery and dry period							
Life Test	Intermittent	1,000 hours of a 1 minute on 4 minutes off cycle at room temperature and Maximum Rated Voltage						
	Continuous	250 hours continuous operation at Maximum Rated Voltage and maximum Operating Temperatures						
Warranty	For a period of one (1) year from date of shipping under normal operations conditions This warranty does not apply to products damaged through misuse, abuse, improper installation, alteration, rework, or attempt to repair							



PACKAGING		MARKING	TRAY	
ONE TRAY:	TWO BUNDLE	Bundle	X1	34.7 cm
		Part Number	Dimensions	Y1 34.7 cm
ONE BUNDLE:	SHIPPING BOX	Other PN if required		Z1 21.2 cm
		Quantity	Quantity	42
TOP COVER		Lot and/or Date Code	BUNDLE	
		Bundle Number	X2	cm
		Shipping Box	Dimensions	Y2 cm
		Part Number	Z2	cm
		Other PN (if required)	Quantity	
		Quantity	SHIPPING BOX	
		Lot and/or Date Code	X3	35 cm
		PO Number	Dimensions	Y3 35 cm
		Net Weight	Z3	22.5 cm
		Gross Weight	Number of Bundles	1
		Box Number of Boxes	Quantity	250
		Made in China	Approximate Weight	9 Kg.

Revision	Description	By	Date
3-2013	Changed SPL and Frequency Response	Ely Zofan	8/1/2013