



PRODUCT INFORMATION

Part #: CE-CM301AVW

Revision: 0-2013

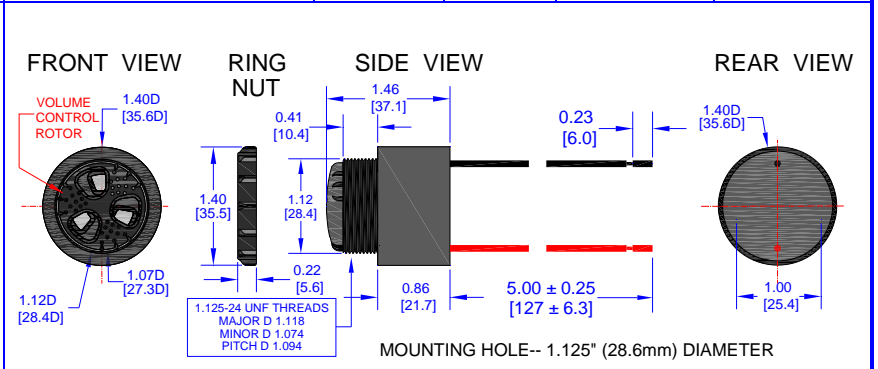
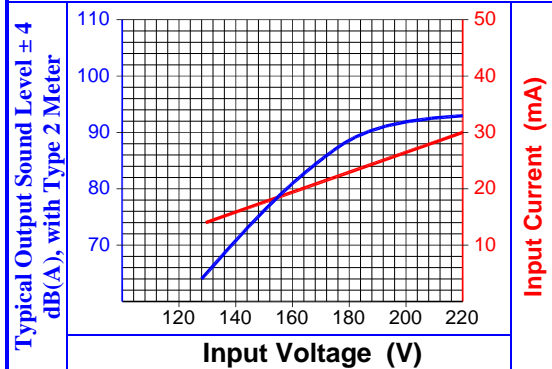


DESCRIPTION		FEATURES			
Challenge Electronics CONTINUOUS Tone, MEDIUM Loud, 130 to 220 Vac, A style back panel mounted case, Sound Pressure Level of 93 dB(A) at 220 Vac at 61 cm, 2,900 Hz. Output Frequency, Wire Leads 5" Long termination, Piezoelectric Alarm with a mechanical Volume Control, RoHS Compliant		<ul style="list-style-type: none"> ◆ Reliable Solid State Piezoelectric Technology ◆ Corrosion resistant Stainless Steel Diaphragm ◆ Flame Retardant Plastic ◆ Extended storage temperature ◆ Hermetically Sealed Alarm ◆ Water Proof, NEMA 3R, 4X, or 12 with Gasket (not supplied) ◆ RoHS ◆ ISO 9001 Certified 			
SPECIFICATIONS					
Operating Mode	Medium Loud, Continuous Tones		Pulse Rate		
Operating Voltage	130 to 220 Vac		Nominal Operating Voltage		220 Vac
Operating Frequency	2,900 ± 500 Hz.				
Typical Loudness	At Minimum Voltage	70 ± 5 dB(A), at 130 Vac, 24 inches (61 cm), 25°C			
	At Maximum Voltage	93 ± 3 dB(A), at 220 Vac, 24 inches (61 cm), 25°C			
Volume Control	Maximum Sound Pressure Level can be restricted up to 20 dB from maximum output. (Note, The Volume Control Rotor may reduce maximum loudness) To install, simply, push the ROTOR onto the front of alarm until it snapped in place To attenuate sound, while alarm is turned on, rotate the ROTOR until maximum desired sound is achieved				
Typical Operating Current	At Minimum Voltage	15 mA at 130 Vac	At Maximum Voltage	30 mA at 220 Vac	
Operating Temperature	-30°C to +65°C		Storage Temperature	-40°C to +105°C	
Surge Voltage	20% over maximum Operating Voltage for less than 5 minutes				
Materials	Alarm Case	Plastic, "A" Case, NORYL™, PX9406 or equal, flame retardant UL 94-V0, Black			
	Diaphragm	Stainless Steel 304			
	Encapsulation	Two parts epoxy resin or silicone potting, Black			
	Termination	Two (2) Wires Leads, 18 AWG (7X32), GXL Automotive, Copper, XPLE insulated, 5.0 (127) long. Struck 0.235 (6.0mm), Red and Black			
Physical Dimensions	Length or Diameter (L/D)	1.4" (35.6 mm) ø	Width (W)	Height (H)	1.46" (37.1 mm)
Approximate Weight	37 grams	Removable Washing Label	No	Compliance	RoHS
Available Options					
RELIABILITY					
Thermal Operating Temperature Test	240 hours continuous operation at Rated Power, at Maximum Rated Operating Temperature *				
	240 hours continuous operation at Rated Power, at Minimum Rated Operating Temperature *				
Thermal Storage Temperature Test	96 hours storage at Maximum Rated Storage Temperatures *				
	96 hours storage at Minimum Rated Storage Temperatures *				
Thermal Shock Test	5 cycles of Minimum and Maximum Operating Temperature Each cycle shall be set per diagram below and is 3 hours long *				
Humidity Test	120 Hours at +60°C±2°C. 90-95% RH *				
Salt Spray	Withstand exposure to salt spray per ASTM B117 for a period of 300 hours *				
Water & Dust Exposure	Withstands water submergence and dust exposure per IP-68 *				
Vibration Test	2 Hours at 1.5mm with 10 to 55Hz. of vibration frequency to each of 3 perpendicular direction *				
Drop Test	Dropped naturally from 1 meter height onto the surface of 10mm wooden board, 2 directions upper and side of the part are applied *				
Termination Strength	Maximum of 15 pounds (6.8 Kg) load pull test				
* Reliability Test Performance	Parts should conform to original performance within ±3dB, after 3 hours of recovery and dry period				
Life Test	Intermittent	1,000 hours of a 1 minute on 4 minutes off cycle at room temperature and Maximum Rated Voltage			
	Continuous	250 hours continuous operation at Maximum Rated Voltage and maximum Operating Temperatures			
Warranty	For a period of one (1) year from date of shipping under normal operations conditions This warranty does not apply to products damaged through misuse, abuse, improper installation, alteration, rework, or attempt to repair				

The information contained herein is believed to be correct, but no guarantee or warranty, express or implied, with respect to accuracy, completeness or results is extended and no liability is assumed.
Challenge Electronics reserves the right to make changes in any specification, data or material contained herein.



Current Draw and Loudness Vs. Input Voltage	DIMENSIONS	Units	Inches (mm)	Tolerance	0.030 (0.7)
--	-------------------	--------------	--------------------	------------------	--------------------



PACKAGING

ONE TRAY: 	TWO BUNDLE: 	MARKING	TRAY													
ONE BUNDLE: 	SHIPPING BOX: 	Bundle	Dimensions													
TOP COVER: 	ITEM: C/NO: MADE IN CHINA	Part Number	X1 34.7 cm													
Shipping Label: <table border="1" style="font-size: small;"> <tr><td>6</td><td>↑↑</td></tr> <tr><td>MODEL</td><td>PCS</td></tr> <tr><td>QTY</td><td>KG</td></tr> <tr><td>N.W</td><td>KG</td></tr> <tr><td>G.W</td><td>KG</td></tr> <tr><td>SIZE</td><td></td></tr> <tr><td>LOT NO</td><td></td></tr> </table>	6	↑↑	MODEL	PCS	QTY	KG	N.W	KG	G.W	KG	SIZE		LOT NO		Other PN if required	Y1 34.7 cm
6	↑↑															
MODEL	PCS															
QTY	KG															
N.W	KG															
G.W	KG															
SIZE																
LOT NO																
		Quantity	Z1 21.2 cm													
		Lot and/or Date Code	42													
		Bundle Number	BUNDLE													
		Shipping Box	Dimensions													
		Part Number	X2 cm													
		Other PN (if required)	Y2 cm													
		Quantity	Z2 cm													
		Lot and/or Date Code	SHIPPING BOX													
		PO Number	Dimensions													
		Net Weight	X3 35 cm													
		Gross Weight	Y3 35 cm													
		Box Number of Boxes	Z3 22.5 cm													
		Made in China	1													
			250													
			9 Kg.													

Revision	Description	By	Date

The information contained herein is believed to be correct, but no guarantee or warranty, express or implied, with respect to accuracy, completeness or results is extended and no liability is assumed.
 Challenge Electronics reserves the right to make changes in any specification, data or material contained herein.