
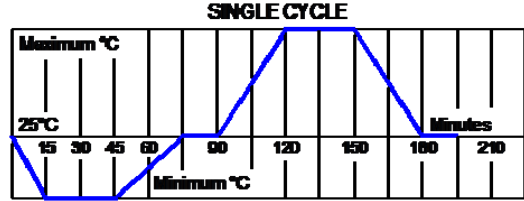


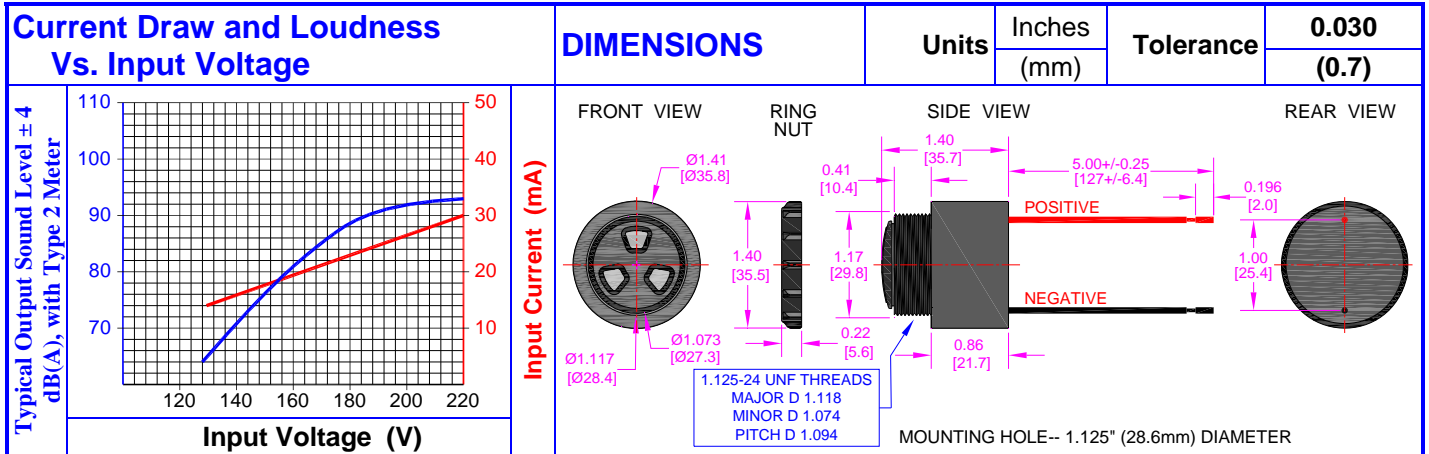


PRODUCT INFORMATION

Part #: CE-CM301AW

Revision: 0-2013

DESCRIPTION		FEATURES					
Challenge Electronics CONTINUOUS Tone, MEDIUM Loud, 130 to 220 Vac, A style back panel mounted case, Sound Pressure Level of 93 dB(A) at 220 Vac at 61 cm, 2,900 Hz. Output Frequency, Wire Leads 5" Long termination, Piezoelectric Alarm, RoHS Compliant		<ul style="list-style-type: none"> ◆ Reliable Solid State Piezoelectric Technology ◆ Corrosion resistant Stainless Steel Diaphragm ◆ Flame Retardant Plastic ◆ Extended storage temperature ◆ Hermetically Sealed Alarm ◆ Water Proof, NEMA 3R, 4X, or 12 with Gasket (not supplied) ◆ RoHS ◆ ISO 9001 Certified 					
SPECIFICATIONS							
Operating Mode	Medium Loud, Continuous Tones		Pulse Rate				
Operating Voltage	130 to 220 Vac		Nominal Operating Voltage		220 Vac		
Operating Frequency	2,900 ± 500 Hz.						
Typical Loudness	At Minimum Voltage	70 ± 5 dB(A), at 130 Vac, 24 inches (61 cm), 25°C					
	At Maximum Voltage	93 ± 3 dB(A), at 220 Vac, 24 inches (61 cm), 25°C					
Typical Operating Current	At Minimum Voltage	15 mA at 130 Vac	At Maximum Voltage		30 mA at 220 Vac		
	Operating Temperature	-30°C to +65°C		Storage Temperature		-40°C to +105°C	
Surge Voltage	20% over maximum Operating Voltage for less than 5 minutes						
Materials	Alarm Case	Plastic, "A" Case, NORYL™, PX9406 or equal, flame retardant UL 94-V0, Black					
	Diaphragm	Stainless Steel 304					
	Encapsulation	Two parts epoxy resin or silicone potting, Black					
	Termination	Two (2) Wires Leads, 18 AWG (7X32), GXL Automotive, Copper, XPLE insulated, 5.0 (127) long. Struck 0.235 (6.0mm), Red and Black					
Physical Dimensions	Length or Diameter (L/D)	1.4" (35.6 mm) ø	Width (W)		Height (H)	1.4" (35.7 mm)	
Approximate Weight	35 grams	Removable Washing Label	No	Compliance	RoHS		
Available Options							
RELIABILITY							
Thermal Operating Temperature Test	240 hours continuous operation at Rated Power, at Maximum Rated Operating Temperature *						
	240 hours continuous operation at Rated Power, at Minimum Rated Operating Temperature *						
Thermal Storage Temperature Test	96 hours storage at Maximum Rated Storage Temperatures *						
	96 hours storage at Minimum Rated Storage Temperatures *						
Thermal Shock Test	5 cycles of Minimum and Maximum Operating Temperature Each cycle shall be set per diagram below and is 3 hours long *						
Humidity Test	120 Hours at +60°C±2°C, 90-95% RH *						
Salt Spray	Withstand exposure to salt spray per ASTM B117 for a period of 300 hours *						
Water & Dust Exposure	Withstands water submergence and dust exposure per IP-68 *						
Vibration Test	2 Hours at 1.5 mm with 10 to 55 Hz. of vibration frequency to each of 3 perpendicular direction *						
Drop Test	Dropped naturally from 1 meter height onto the surface of 10mm wooden board, 2 directions upper and side of the part are applied *						
Termination Strength	Maximum of 15 pounds (6.8 Kg) load pull test						
* Reliability Test Performance	Parts should conform to original performance within ±3dB, after 3 hours of recovery and dry period						
Life Test	Intermittent	1,000 hours of a 1 minute on 4 minutes off cycle at room temperature and Maximum Rated Voltage					
	Continuous	250 hours continuous operation at Maximum Rated Voltage and maximum Operating Temperatures					
Warranty	For a period of one (1) year from date of shipping under normal operations conditions This warranty does not apply to products damaged through misuse, abuse, improper installation, alteration, rework, or attempt to repair						



PACKAGING		MARKING	TRAY																				
ONE TRAY: 	TWO BUNDLE 	Bundle Part Number Other PN if required Quantity Lot and/or Date Code Bundle Number Shipping Box Part Number Other PN (if required) Quantity Lot and/or Date Code PO Number Net Weight Gross Weight Box Number of Boxes Made in China	Dimensions Quantity Dimensions Quantity Dimensions Number of Bundles Quantity Approximate Weight	X1 34.7 cm																			
				Y1 34.7 cm																			
ONE BUNDLE: 	SHIPPING BOX 	Quantity Lot and/or Date Code PO Number Net Weight Gross Weight Box Number of Boxes Made in China	Quantity Dimensions Quantity Dimensions Number of Bundles Quantity Approximate Weight	Z1 21.2 cm																			
				Z2 cm																			
TOP COVER 		SHIPPING BOX 		X3 35 cm																			
ITEM: C/NO: MADE IN CHINA		SHIPPING BOX 		Y3 35 cm																			
<table border="1"> <tr> <td>6</td> <td>↑↑</td> </tr> <tr> <td>MODEL</td> <td>PCS</td> </tr> <tr> <td>QTY</td> <td>KG</td> </tr> <tr> <td>N.W</td> <td>KG</td> </tr> <tr> <td>G.W</td> <td>KG</td> </tr> <tr> <td>SIZE</td> <td></td> </tr> <tr> <td>LOT NO</td> <td></td> </tr> </table>		6	↑↑	MODEL	PCS	QTY	KG	N.W	KG	G.W	KG	SIZE		LOT NO		SHIPPING BOX 		Z3 22.5 cm					
6	↑↑																						
MODEL	PCS																						
QTY	KG																						
N.W	KG																						
G.W	KG																						
SIZE																							
LOT NO																							
<table border="1"> <tr> <th>Revision</th> <th>Description</th> <th>By</th> <th>Date</th> </tr> <tr> <td> </td> <td> </td> <td> </td> <td> </td> </tr> <tr> <td> </td> <td> </td> <td> </td> <td> </td> </tr> <tr> <td> </td> <td> </td> <td> </td> <td> </td> </tr> <tr> <td> </td> <td> </td> <td> </td> <td> </td> </tr> </table>		Revision	Description	By	Date																	1 250 9 Kg.	
Revision	Description	By	Date																				

The information contained herein is believed to be correct, but no guarantee or warranty, express or implied, with respect to accuracy, completeness or results is extended and no liability is assumed.
 Challenge Electronics reserves the right to make changes in any specification, data or material contained herein.