


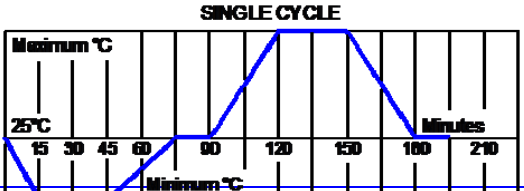


# PRODUCT INFORMATION

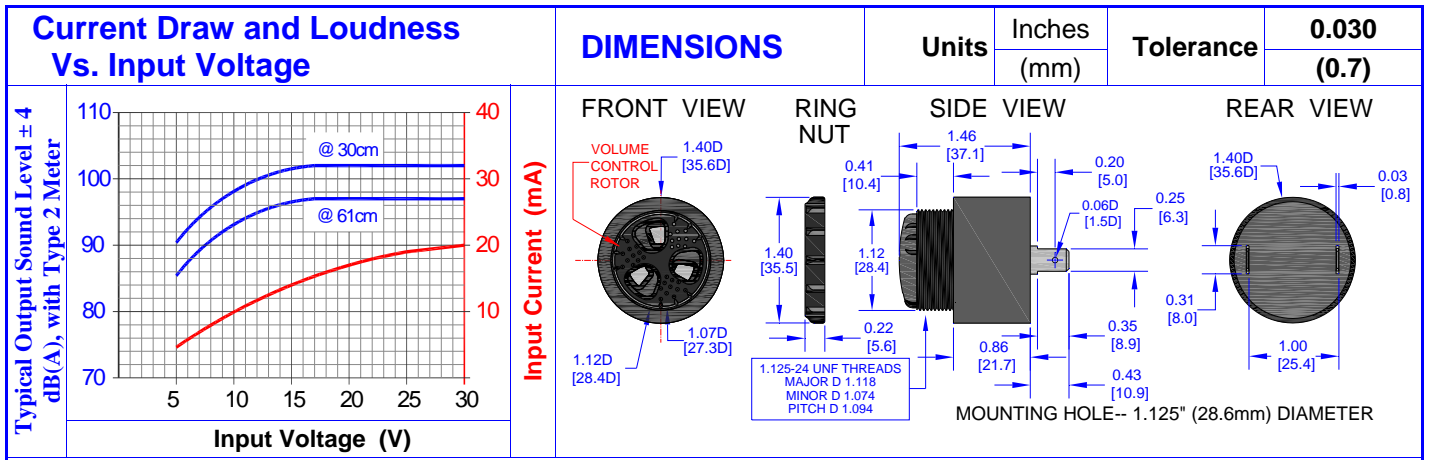
**Part #: CE-CM631VAQ**

**Revision: 3-2012**



DESCRIPTION		FEATURES			
<b>Challenge Electronics CONTINUOUS Tone, MEDIUM Loud, 6 to 30 Vac/dc, A style back panel mounted case, Sound Pressure Level of 98 dB(A) at 30 Vac at 61 cm, 2,900 Hz. Output Frequency, Quick Connect Blades termination, Piezoelectric Alarm with a mechanical Volume Control, RoHS Compliant</b>		<ul style="list-style-type: none"> <li>◆ Reliable Solid State Piezoelectric Technology</li> <li>◆ Corrosion resistant Stainless Steel Diaphragm</li> <li>◆ Flame Retardant Plastic</li> <li>◆ Extended storage temperature</li> <li>◆ Hermetically Sealed Alarm</li> <li>◆ Water Proof, NEMA 3R, 4X, or 12 with Gasket (not supplied)</li> <li>◆ RoHS, Lead Free Compliance</li> <li>◆ ISO 9001 Certified</li> </ul>			
<b>SPECIFICATIONS</b>					
<b>Operating Mode</b>	<b>Medium Loud, Continuous Tones</b>				
<b>Operating Voltage</b>	<b>6 to 30 Vac/dc</b>	<b>Nominal Operating Voltage</b>	<b>24 Vac/dc</b>		
<b>Operating Frequency</b>	<b>2,900 ± 250 Hz.</b>				
<b>Typical Loudness</b>	<b>At Minimum Voltage</b>	<b>85 ± 5 dB(A), at 5 Vac, 24 inches (61 cm), 25°C</b>			
	<b>At Maximum Voltage</b>	<b>97 ± 3 dB(A), at 30 Vac, 24 inches (61 cm), 25°C</b>			
<b>Volume Control</b>	Maximum Sound Pressure Level can be restricted up to 20 dB from maximum output. (Note, The Volume Control Rotor may reduce maximum loudness) To install, simply, push the ROTOR onto the front of alarm until it snapped in place To attenuate sound, while alarm is turned on, rotate the ROTOR until maximum desired sound is achieved				
<b>Typical Operating Current</b>	<b>At Minimum Voltage</b>	<b>5 mA at 5 Vac</b>	<b>At Maximum Voltage</b>	<b>20 mA at 30 Vac</b>	
<b>Operating Temperature</b>	<b>-30°C to +65°C</b>		<b>Storage Temperature</b>	<b>-40°C to +105°C</b>	
<b>Surge Voltage</b>	<b>20% over maximum Operating Voltage for less than 5 minutes</b>				
<b>Materials</b>	<b>Alarm Case</b>	<b>Plastic, "A" Case, NORYL™, PX9406 or equal, flame retardant UL 94-V0, Black</b>			
	<b>Diaphragm</b>	<b>Stainless Steel 304</b>			
	<b>Encapsulation</b>	<b>Two parts epoxy resign or silicone potting, Black</b>			
	<b>Termination</b>	<b>Two 2 0.25 (6.4 mm) Quick Connect Blades, 0.032Ø (0.8Ømm) wide, Brass, Electro-Tin plated</b>			
<b>Physical Dimensions</b>	<b>Length or Diameter (L /D)</b>	<b>1.4" (35.6 mm) Ø</b>	<b>Width (W)</b>	<b>Height (H)</b>	<b>1.4" (35.7 mm)</b>
<b>Approximate Weight</b>	<b>37 grams</b>	<b>Removable Washing Label</b>	<b>No</b>	<b>Compliance</b>	<b>RoHS</b>
<b>Available Options</b>					
<b>RELIABILITY</b>					
<b>Thermal Operating Temperature Test</b>	<b>240 hours</b> continuous operation <b>at Rated Power</b> , at <b>Maximum Rated Operating Temperature</b> * <b>240 hours</b> continuous operation <b>at Rated Power</b> , at <b>Minimum Rated Operating Temperature</b> *				
<b>Thermal Storage Temperature Test</b>	<b>96 hours</b> storage at <b>Maximum Rated Storage Temperatures</b> * <b>96 hours</b> storage at <b>Minimum Rated Storage Temperatures</b> *				
<b>Thermal Shock Test</b>	<b>5 cycles of Minimum and Maximum Operating Temperature</b> Each cycle shall be set per diagram below and is 3 hours long *				
<b>Humidity Test</b>	<b>120 Hours</b> at +60°C±2°C, 90-95% RH *				
<b>Salt Spray</b>	Withstand exposure to salt spray per ASTM B117 for a period of <b>300 hours</b> *				
<b>Water &amp; Dust Exposure</b>	Withstands water submergence and dust exposure per IP-68 *				
<b>Vibration Test</b>	<b>2 Hours</b> at 1.5 mm with 10 to 55 Hz. of vibration frequency to each of 3 perpendicular direction *				
<b>Drop Test</b>	Dropped naturally from 1 meter height onto the surface of 10mm wooden board, 2 directions upper and side of the part are applied *				
<b>Termination Strength</b>	Maximum of 15 pounds (6.8 Kg) load pull test				
<b>* Reliability Test Performance</b>	<b>Parts should conform to original performance within ±3dB, after 3 hours of recovery and dry period</b>				
<b>Life Test</b>	<b>Intermittent</b>	<b>1,000 hours</b> of a 1 minute on 4 minutes off cycle at room temperature and <b>Maximum Rated Voltage</b>			
	<b>Continuous</b>	<b>250 hours</b> continuous operation at <b>Maximum Rated Voltage</b> and maximum Operating Temperatures			
<b>Warranty</b>	For a period of one (1) year from date of shipping under normal operations conditions This warranty does not apply to products damaged through misuse, abuse, improper installation, alteration, rework, or attempt to repair				

The information contained herein is believed to be correct, but no guarantee or warranty, express or implied, with respect to accuracy, completeness or results is extended and no liability is assumed. Challenge Electronics reserves the right to make changes in any specification, data or material contained herein.



PACKAGING		Tray	
<b>ONE TRAY:</b> 	<b>TWO BUNDLE</b> 	X1	<b>34.7 cm</b>
		Y1	<b>34.7 cm</b>
		Z1	<b>21.2 cm</b>
Quantity		<b>42</b>	
<b>ONE BUNDLE:</b> 		<b>SHIPPING BOX</b>	
		X2	<b>35 cm</b>
		Y2	<b>35 cm</b>
Z2	<b>22.5 cm</b>		
Part Number			
Customer PN (if required)			
Number of Trays			
Quantity		<b>250</b>	
Lot and/or Date Code			
PO Number			
Net Weight			
Gross Weight			
Box Number			
of Number of Boxes			
Country of Origin		<b>Made in China</b>	

Shipping Box Label:

ITEM:	
CNO: MADE IN CHINA	
6	↑↑
↑	↑
↑	↑
↑	↑
MODEL	PCS
QTY	KG
NW	KG
G.W	KG
SIZE	
LOT NO	

Shipping Box Dimensions: X3, Y3, Z3

The information contained herein is believed to be correct, but no guarantee or warranty, express or implied, with respect to accuracy, completeness or results is extended and no liability is assumed. Challenge Electronics reserves the right to make changes in any specification, data or material contained herein.