



PRODUCT INFORMATION

Part #: **CE-CU628BS**

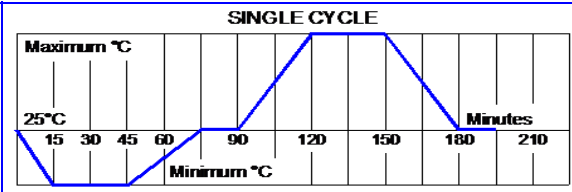
Revision: 5-2013

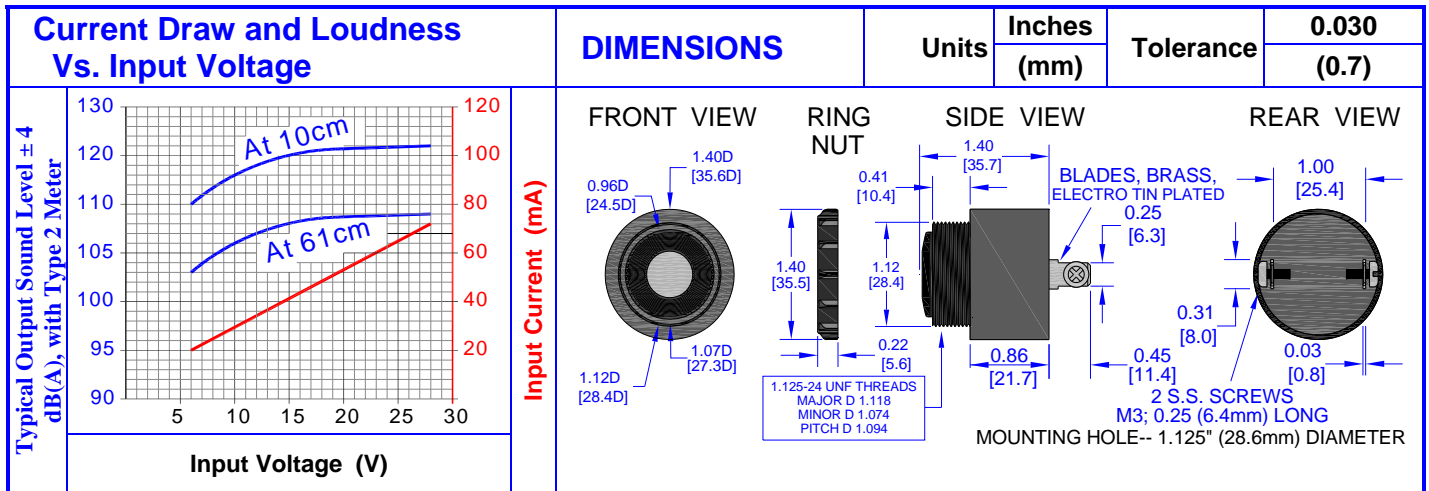


DESCRIPTION	FEATURES
Challenge Electronics CONTINUOUS Tone, ULTRA Loud, 6 to 28 Vdc with a relatively low sound frequency of 2,100 Hz., B style case Rear Panel Mounting in 1.125" (28.6 mm) Hole, Sound Pressure Level of 108 dB(A) at 28 Vdc at 61 cm, S two 0.25" (6.4 mm) Blades with M3 0.25" (6.4 mm) long Stainless Steel Screws termination, Piezoelectric Alarm, RoHS Compliant	<ul style="list-style-type: none"> ◆ Reliable Solid State Piezoelectric Technology ◆ Corrosion resistant Stainless Steel Diaphragm ◆ Flame Retardant Plastic ◆ Extended storage temperature ◆ Hermetically Sealed Alarm ◆ Water Proof, NEMA 3R, 4X, or 12 with Gasket (not supplied) ◆ RoHS, Lead Free Compliance ◆ ISO 9001 Certified

SPECIFICATIONS	
Operating Mode	Ultra Loud, Continuous Tone
Operating Voltage	6 to 28 Vdc
Operating Frequency	2,100 ± 200 Hz.
Typical Loudness	At Minimum Voltage
	At Maximum Voltage
Typical Operating Current	At Minimum Voltage
Operating Temperature	Storage Temperature
Surge Voltage	20% over maximum Operating Voltage for less than 5 minutes
Materials	Alarm Case
	Diaphragm
	Encapsulation
	Termination
Physical Dimensions	Length or Diameter (L/D)
Approximate Weight	Removable Washing Label
Available Options	

RELIABILITY	
Thermal Operating Temperature Test	240 hours continuous operation at Rated Power, at Maximum Rated Operating Temperature *
	240 hours continuous operation at Rated Power, at Minimum Rated Operating Temperature *
Thermal Storage Temperature Test	96 hours storage at Maximum Rated Storage Temperatures *
	96 hours storage at Minimum Rated Storage Temperatures *
Thermal Shock Test	5 cycles of Minimum and Maximum Operating Temperature Each cycle shall be set per diagram below and is 3 hours long *
Humidity Test	120 Hours at +60°C±2°C, 90-95% RH *
Salt Spray	Withstand exposure to salt spray per ASTM B117 for a period of 300 hours *
Water & Dust Exposure	Withstands water submergence and dust exposure per IP-68 *
Vibration Test	2 Hours at 1.5 mm with 10 to 55 Hz. of vibration frequency to each of 3 perpendicular direction *
Drop Test	Dropped naturally from 1 meter height onto the surface of 10mm wooden board, 2 directions upper and side of the part are applied *
Termination Strength	Maximum of 15 pounds (6.8 Kg) load pull test and of 4 lb. per inch driving torque on screw
* Reliability Test Performance	Parts should conform to original performance within ±3dB, after 3 hours of recovery and dry period
Life Test	Intermittent
	Continuous
Warranty	For a period of one (1) year from date of shipping under normal operations conditions This warranty does not apply to products damaged through misuse, abuse, improper installation, alteration, rework, or attempt to repair





PACKAGING		MARKING	TRAY	
ONE TRAY:	TWO BUNDLE	Bundle	X1	34.7 cm
		Part Number	Y1	34.7 cm
ONE BUNDLE:	SHIPPING BOX	Other PN if required	Z1	21.2 cm
		Quantity	42	
TOP COVER		Lot and/or Date Code	BUNDLE	
		Bundle Number	X2	cm
		Shipping Box	Y2	cm
		Part Number	Z2	cm
		Other PN (if required)	SHIPPING BOX	
		Quantity	X3	35 cm
		Lot and/or Date Code	Y3	35 cm
		PO Number	Z3	22.5 cm
		Net Weight	1	
		Gross Weight	Number of Bundles	
		Box Number of Boxes	250	
		Made in China	Approximate Weight	
			9 Kg.	

Revision	Description	By	Date
5-2013	Revised Operating Temperature	Ely Zofan	6/25/2013