

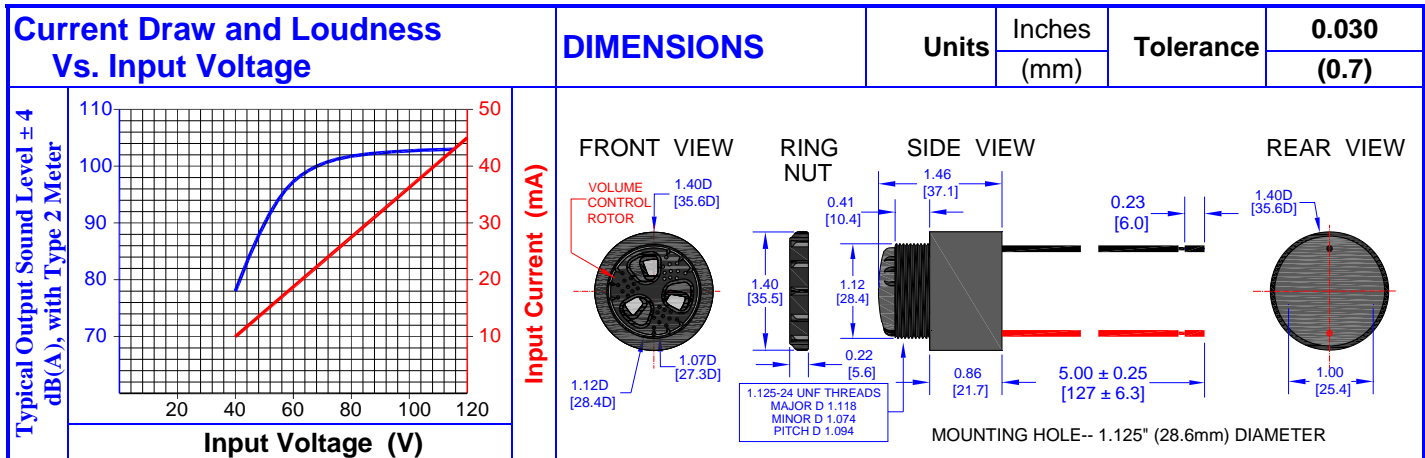


PRODUCT INFORMATION
 Part #: **CE-CX201AVW**

Revision: 1-2014



DESCRIPTION		FEATURES			
Challenge Electronics CONTINUOUS Tone, EXTRA Loud, 40 to 120 Vac, A style back panel mounted case, Sound Pressure Level of 103 dB(A) at 117 Vac at 61 cm, 2,900 Hz. Output Frequency, Wire Leads 5" Long termination, Piezoelectric Alarm with a mechanical Volume Control, Rear Panel Mount Piezoelectric Alarm, RoHS Compliant		<ul style="list-style-type: none"> ◆ Reliable Solid State Piezoelectric Technology ◆ Corrosion resistant Stainless Steel Diaphragm ◆ Flame Retardant Plastic ◆ Extended storage temperature ◆ Hermetically Sealed Alarm ◆ Water Proof, NEMA 3R, 4X, or 12 with Gasket (not supplied) ◆ RoHS, Lead Free Compliance ◆ ISO 9001:2008 & ISO-TS 16949:2009 Certified 			
SPECIFICATIONS					
Operating Mode	Extra Loud, Continuous Tones		Pulse Rate		
Operating Voltage	40 to 120 Vac	Nominal Operating Voltage	117 Vac	Operating Frequency	2,900 ± 500 Hz.
Typical Loudness	At 40 Vac	80±5 dB(A)		At 117 Vac	103±3 dB(A)
	SPL is measured at 30 cm, 25°C, Sound Level meter # 2240, Type 2, Fast Response, A-Weighted				
Typical Operating Current	10 mA at 40 Vac		50 mA at 117 Vac		
Volume Control	Maximum Sound Pressure Level can be restricted up to 20 dB from maximum output. (Note, The Volume Control Rotor may reduce maximum loudness) To install, simply, push the ROTOR onto the front of alarm until it snapped in place To attenuate sound, while alarm is turned on, rotate the ROTOR until maximum desired sound is achieved				
Operating Temperature	-30°C to +65°C		Storage Temperature	-40°C to +100°C	
Surge Voltage	20% over maximum Operating Voltage for less than 5 minutes				
Materials	Alarm Case	Plastic, "A" Case, NORYL™, PX9406 or equal, flame retardant UL 94-V0, Black			
	Diaphragm	Stainless Steel 304			
	Encapsulation	Silicon Potting covering SMD components topped with 2 parts epoxy potting, Black			
	Termination	Two (2) Wires Leads, 18 AWG (7X32), GXL Automotive, Copper, XPLE insulated, 5.0 (127) long. Struck 0.235 (6.0mm), Red and Black			
Physical Dimensions	Length or Diameter (L/D)	1.4" (35.6 mm) ø	Width (W)	Height (H)	1.46" (37.1 mm)
Approximate Weight	37 grams	Removable Washing Label	No	Compliance	RoHS
Available Options					
RELIABILITY					
Thermal Operating Temperature Test	96 hours continuous operation at Rated Voltage, at Maximum Rated Operating Temperature *				
	96 hours continuous operation at Rated Voltage, at Minimum Rated Operating Temperature *				
Thermal Storage Temperature Test	96 hours storage at Maximum Rated Storage Temperatures *				
	96 hours storage at Minimum Rated Storage Temperatures *				
Thermal Shock Test	5 cycles of Minimum and Maximum Operating Temperature Each cycle shall be set per diagram below and is 3 hours long *				
Humidity Test	120 Hours at +60°C±2°C. 90-95% RH *				
Salt Spray	Withstand exposure to salt spray per ASTM B117 for a period of 300 hours *				
Water & Dust Exposure	Withstands water submergence and dust exposure per IP-68 *				
Vibration Test	2 Hours at 1.5 mm with 10 to 55 Hz. of vibration frequency to each of 3 perpendicular direction *				
Drop Test	Dropped naturally from 1 meter height onto the surface of 10mm wooden board, 2 directions upper and side of the part are applied *				
Termination Strength	Maximum of 15 pounds (6.8 Kg) load pull test				
* Reliability Test Performance	Parts should conform to original performance within ±3 dB, after 3 hours of recovery and dry period				
Life Test	Intermittent	1,000 hours of a 1 minute on 4 minutes off cycle at room temperature and maximum rated voltage			
	Continuous	250 hours continuous operation at maximum rated Voltage and maximum Operating Temperatures			
Warranty	For a period of one (1) year from date of shipping under normal operations conditions This warranty does not apply to products damaged through misuse, abuse, improper installation, alteration, rework, or attempt to repair				



PACKAGING		MARKING	TRAY																	
ONE TRAY:	TWO BUNDLE	Bundle	Dimensions	X1	34.7 cm															
		Part Number		Y1	34.7 cm															
ONE BUNDLE:		Other PN if required		Z1	21.2 cm															
	SHIPPING BOX	Quantity	Quantity	42																
ITEM:	C/NO:	Lot and/or Date Code	BUNDLE																	
MADE IN CHINA		Bundle Number	Dimensions	X2	cm															
TOP COVER		Shipping Box	Dimensions	Y2	cm															
<table border="1" style="font-size: small;"> <tr><td>6</td><td>↑↑</td></tr> <tr><td>↑</td><td>↑</td></tr> <tr><td>MODEL</td><td>PCS</td></tr> <tr><td>QTY</td><td>KG</td></tr> <tr><td>N.W</td><td>KG</td></tr> <tr><td>G.W</td><td>KG</td></tr> <tr><td>SIZE</td><td>KG</td></tr> <tr><td>LOT NO</td><td></td></tr> </table>	6	↑↑		↑	↑	MODEL	PCS	QTY	KG	N.W	KG	G.W	KG	SIZE	KG	LOT NO		Part Number	Z2	cm
6	↑↑																			
↑	↑																			
MODEL	PCS																			
QTY	KG																			
N.W	KG																			
G.W	KG																			
SIZE	KG																			
LOT NO																				
	Other PN (if required)	Quantity																		
		Quantity	SHIPPING BOX																	
		Lot and/or Date Code	Dimensions	X3	35 cm															
		PO Number	Dimensions	Y3	35 cm															
		Net Weight	Dimensions	Z3	22.5 cm															
		Gross Weight	Number of Bundles	1																
		Box Number of Boxes	Quantity	250																
		Made in China	Approximate Weight	9 Kg.																

Revision	Description	By	Date
1-2014	Modified the Sound Pressure Specifications	Ely Zofan	5/14/2014