



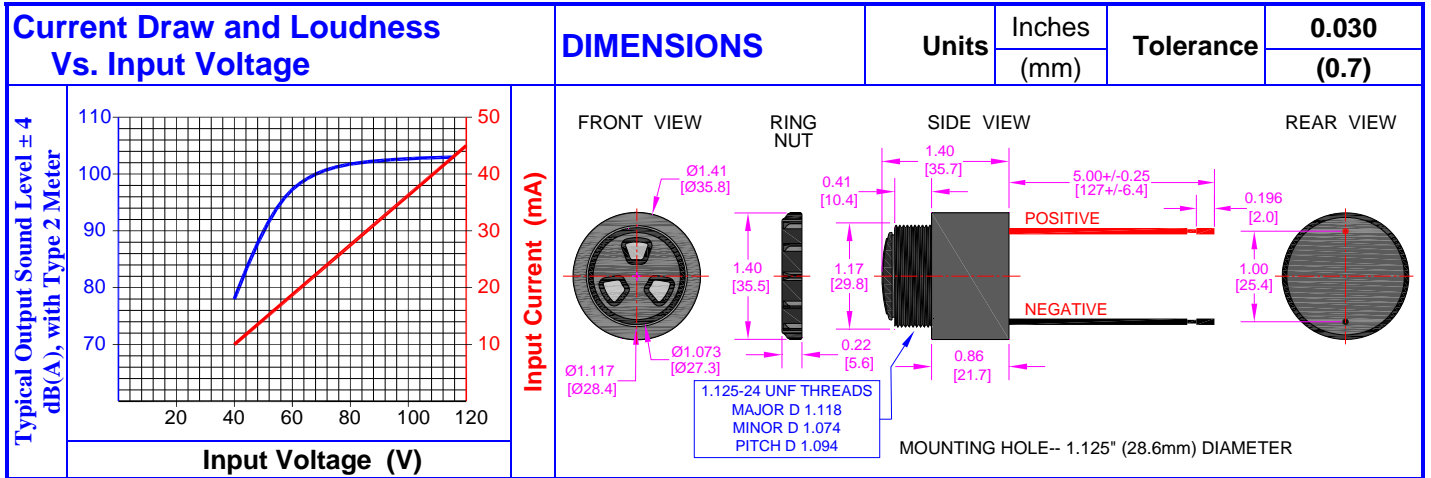
# PRODUCT INFORMATION

**Part #: CE-CX201AW**

**Revision: 1-2014**



DESCRIPTION		FEATURES			
<b>Challenge Electronics CONTINUOUS Tone, EXTRA Loud, 40 to 120 Vac, A style back panel mounted case, Sound Pressure Level of 103 dB(A) at 117 Vac at 61 cm, 2,900 Hz. Output Frequency, Wire Leads 5" Long termination, Rear Panel Mount Piezoelectric Alarm, RoHS Compliant</b>		<ul style="list-style-type: none"> <li>◆ <b>Reliable Solid State Piezoelectric Technology</b></li> <li>◆ <b>Corrosion resistant Stainless Steel Diaphragm</b></li> <li>◆ <b>Flame Retardant Plastic</b></li> <li>◆ <b>Extended storage temperature</b></li> <li>◆ <b>Hermetically Sealed Alarm</b></li> <li>◆ <b>Water Proof, NEMA 3R, 4X, or 12 with Gasket (not supplied)</b></li> <li>◆ <b>RoHS, Lead Free Compliance</b></li> <li>◆ <b>ISO 9001:2008 &amp; ISO-TS 16949:2009 Certified</b></li> </ul>			
<b>SPECIFICATIONS</b>					
<b>Operating Mode</b>	<b>Extra Loud, Continuous Tones</b>		<b>Pulse Rate</b>		
<b>Operating Voltage</b>	<b>40 to 120 Vac</b>	<b>Nominal Operating Voltage</b>	<b>117 Vac</b>	<b>Operating Frequency</b>	<b>2,900 ± 500 Hz.</b>
<b>Typical Loudness</b>	<b>At 40 Vac</b>	<b>80±5 dB(A)</b>		<b>At 117 Vac</b>	<b>103±3 dB(A)</b>
	<b>SPL is measured at 24" (61cm), 25°C, Sound Level meter # 2240, Type 2, Fast Response, A-Weighted</b>				
<b>Typical Operating Current</b>	<b>10 mA at 40 Vac</b>		<b>50 mA at 117 Vac</b>		
<b>Operating Temperature</b>	<b>-30°C to +65°C</b>		<b>Storage Temperature</b>	<b>-40°C to +100°C</b>	
<b>Surge Voltage</b>	<b>20% over maximum Operating Voltage for less than 5 minutes</b>				
<b>Materials</b>	<b>Alarm Case</b>	<b>Plastic, "A" Case, NORYL™, PX9406 or equal, flame retardant UL 94-V0, Black</b>			
	<b>Diaphragm</b>	<b>Stainless Steel 304</b>			
	<b>Encapsulation</b>	<b>Silicon Potting covering SMD components topped with 2 parts epoxy potting, Black</b>			
	<b>Termination</b>	<b>Two (2) Wires Leads, 18 AWG (7X32), GXL Automotive, Copper, XPLE insulated, 5.0" (127) Long. Struck 0.235 (6.0mm), Red and Black</b>			
<b>Physical Dimensions</b>	<b>Length or Diameter (L/D)</b>	<b>1.4" (35.6 mm) ø</b>	<b>Width (W)</b>	<b>Height (H)</b>	<b>1.4" (35.7 mm)</b>
<b>Approximate Weight</b>	<b>35 grams</b>	<b>Removable Washing Label</b>	<b>No</b>	<b>Compliance</b>	<b>RoHS</b>
<b>Available Options</b>					
<b>RELIABILITY</b>					
<b>Thermal Operating Temperature Test</b>	<b>96 hours</b> continuous operation <b>at Rated Voltage</b> , at <b>Maximum Rated Operating Temperature</b> *				
	<b>96 hours</b> continuous operation <b>at Rated Voltage</b> , at <b>Minimum Rated Operating Temperature</b> *				
<b>Thermal Storage Temperature Test</b>	<b>96 hours</b> storage at <b>Maximum Rated Storage Temperatures</b> *				
	<b>96 hours</b> storage at <b>Minimum Rated Storage Temperatures</b> *				
<b>Thermal Shock Test</b>	5 cycles of <b>Minimum and Maximum Operating Temperature</b> Each cycle shall be set per diagram below and is 3 hours long *				
<b>Humidity Test</b>	<b>120 Hours</b> at +60°C±2°C. 90-95% RH *				
<b>Salt Spray</b>	Withstand exposure to salt spray per ASTM B117 for a period of <b>300 hours</b> *				
<b>Water &amp; Dust Exposure</b>	Withstands water submergence and dust exposure per IP-68 *				
<b>Vibration Test</b>	<b>2 Hours</b> at 1.5 mm with 10 to 55 Hz. of vibration frequency to each of 3 perpendicular direction *				
<b>Drop Test</b>	Dropped naturally from 1 meter height onto the surface of 10mm wooden board, 2 directions upper and side of the part are applied *				
<b>Termination Strength</b>	Maximum of 15 pounds (6.8 Kg) load pull test				
<b>* Reliability Test Performance</b>	<b>Parts should conform to original performance within ±3dB, after 3 hours of recovery and dry period</b>				
<b>Life Test</b>	<b>Intermittent</b>	<b>1,000 hours</b> of a 1 minute on 4 minutes off cycle at room temperature and <b>maximum rated voltage</b>			
	<b>Continuous</b>	<b>250 hours</b> continuous operation at <b>maximum rated Voltage and maximum Operating Temperatures</b>			
<b>Warranty</b>	For a period of one (1) year from date of shipping under normal operations conditions This warranty does not apply to products damaged through misuse, abuse, improper installation, alteration, rework, or attempt to repair				



PACKAGING		MARKING	TRAY	
ONE TRAY:	TWO BUNDLE	Bundle	X1	34.7 cm
		Part Number	Y1	34.7 cm
ONE BUNDLE:	SHIPPING BOX	Other PN if required	Z1	21.2 cm
		Quantity	42	
TOP COVER	ITEM: C/NO: MADE IN CHINA	Lot and/or Date Code	BUNDLE	
		Bundle Number	X2	cm
		Shipping Box	Y2	cm
		Part Number	Z2	cm
		Other PN (if required)	SHIPPING BOX	
		Quantity	X3	35 cm
		Lot and/or Date Code	Y3	35 cm
		PO Number	Z3	22.5 cm
		Net Weight	1	
		Gross Weight	250	
		Box Number of Boxes	9 Kg.	
		Made in China	Approximate Weight	

Revision	Description	By	Date
1-2014	Modified the Sound Pressure Specifications	Ely Zofan	5/14/2014