



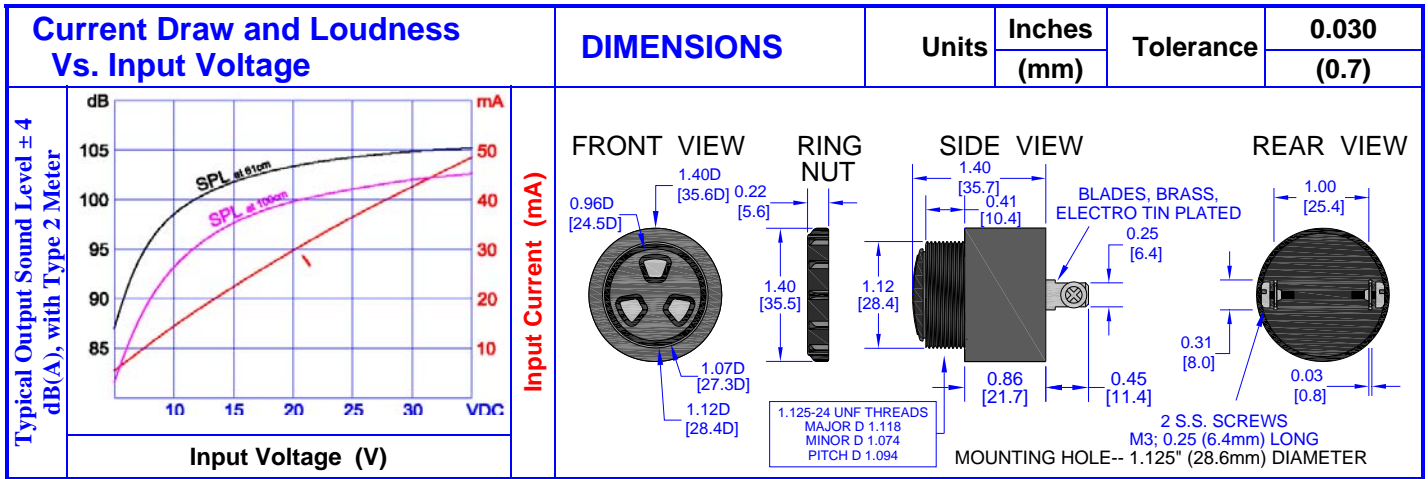
PRODUCT INFORMATION

Part #: **CE-CX330AS**

Revision: 5-2013



DESCRIPTION		FEATURES			
Challenge Electronics CONTINUOUS Tone, EXTRA Loud, 3 to 30 Vdc, A style case Rear Panel Mounting in 1.125" (28.6 mm) Hole, Sound Pressure Level of 103 dB(A) at 30 Vdc at 61 cm, 2,900 Hz. Output Frequency, S two 0.25" (6.4 mm) Blades with M3 0.25" (6.4 mm) long Stainless Steel Screws termination, Piezoelectric Alarm, RoHS Compliant		<ul style="list-style-type: none"> ◆ Reliable Solid State Piezoelectric Technology ◆ Corrosion resistant Stainless Steel Diaphragm ◆ Flame Retardant Plastic ◆ Extended storage temperature ◆ Hermetically Sealed Alarm ◆ Water Proof, NEMA 3R, 4X, or 12 with Gasket (not supplied) ◆ RoHS, Lead Free Compliance ◆ ISO 9001 Certified 			
SPECIFICATIONS					
Operating Mode	Extra Loud, Continuous Tone		Pulse Rate		
Operating Voltage	3 to 30 Vdc		Nominal Operating Voltage		24 Vdc
Operating Frequency	2,900 ± 500 Hz.				
Typical Loudness	At Minimum Voltage	85 ± 5 dB(A), at 3 Vdc, 24 inches (61 cm), 25°C			
	At Maximum Voltage	103 ± 3 dB(A), at 30 Vdc, 24 inches (61 cm), 25°C			
Typical Operating Current	At Minimum Voltage	7 mA at 3 Vdc	At Maximum Voltage	50 mA at 30 Vdc	
Operating Temperature	-30°C to +65°C		Storage Temperature	-40°C to +105°C	
Surge Voltage	20% over maximum Operating Voltage for less than 5 minutes				
Materials	Alarm Case	Plastic, "A" Case Style, NORYL™, PX9406 or equal, flame retardant UL 94-V0, Black			
	Diaphragm	Stainless Steel 304			
	Encapsulation	Two parts epoxy resin or silicone potting, Black			
	Termination	Two, 0.25 (6.4 mm) Quick Connect Blades, 0.032Ø (0.8Ø mm) Wide, Brass, Electro-Tin plated With M3 0.25" (6.4 mm) long Stainless Steel Screws.			
Physical Dimensions	Length or Diameter (L/D)	1.40" (35.6 mm) Ø	Width (W)	Height (H)	1.40" (35.7 mm)
Approximate Weight	37 grams	Removable Washing Label	No	Compliance	RoHS
Available Options					
RELIABILITY					
Thermal Operating Temperature Test	240 hours continuous operation at Rated Power, at Maximum Rated Operating Temperature *				
	240 hours continuous operation at Rated Power, at Minimum Rated Operating Temperature *				
Thermal Storage Temperature Test	96 hours storage at Maximum Rated Storage Temperatures *				
	96 hours storage at Minimum Rated Storage Temperatures *				
Thermal Shock Test	5 cycles of Minimum and Maximum Operating Temperature Each cycle shall be set per diagram below and is 3 hours long *				<p>SINGLE CYCLE</p> <p>Maximum °C</p> <p>25°C</p> <p>Minutes</p> <p>15 30 45 60 90 120 150 180 210</p> <p>Minimum °C</p>
Humidity Test	120 Hours at +60°C±2°C, 90-95% RH *				
Salt Spray	Withstand exposure to salt spray per ASTM B117 for a period of 300 hours *				
Water & Dust Exposure	Withstands water submergence and dust exposure per IP-68 *				
Vibration Test	2 Hours at 1.5 mm with 10 to 55 Hz. of vibration frequency to each of 3 perpendicular direction *				
Drop Test	Dropped naturally from 1 meter height onto the surface of 10mm wooden board, 2 directions upper and side of the part are applied *				
Termination Strength	Maximum of 15 pounds (6.8 Kg) load pull test and of 4 lb. per inch driving torque on screw				
* Reliability Test Performance	Parts should conform to original performance within ±3dB, after 3 hours of recovery and dry period				
Life Test	Intermittent	1,000 hours of a 1 minute on 4 minutes off cycle at room temperature and Maximum Rated Voltage			
	Continuous	250 hours continuous operation at Maximum Rated Voltage and maximum Operating Temperatures			
Warranty	For a period of one (1) year from date of shipping under normal operations conditions This warranty does not apply to products damaged through misuse, abuse, improper installation, alteration, rework, or attempt to repair				



PACKAGING															
<p>ONE TRAY:</p> <p>TWO BUNDLE:</p> <p>ONE BUNDLE:</p> <p>SHIPPING BOX:</p> <p>ITEM: [] C/NO: [] MADE IN CHINA</p> <p>TOP COVER</p> <table border="1"> <tr><td>MODEL</td><td></td></tr> <tr><td>QTY</td><td>PCS</td></tr> <tr><td>N.W</td><td>KG</td></tr> <tr><td>G.W</td><td>KG</td></tr> <tr><td>SIZE</td><td></td></tr> <tr><td>LOT NO</td><td></td></tr> </table>	MODEL		QTY	PCS	N.W	KG	G.W	KG	SIZE		LOT NO		MARKING	TRAY	
	MODEL														
	QTY	PCS													
	N.W	KG													
	G.W	KG													
	SIZE														
	LOT NO														
	Bundle	Dimensions	X1	34.7 cm											
	Part Number		Y1	34.7 cm											
	Other PN if required		Z1	21.2 cm											
Quantity	Quantity	42													
Lot and/or Date Code	BUNDLE														
Bundle Number	Dimensions	X2	cm												
Shipping Box		Y2	cm												
Part Number		Z2	cm												
Other PN (if required)	Quantity														
Quantity	SHIPPING BOX														
Lot and/or Date Code	Dimensions	X3	35 cm												
PO Number		Y3	35 cm												
Net Weight		Z3	22.5 cm												
Gross Weight	Number of Bundles	1													
Box Number of Boxes	Quantity	250													
Made in China	Approximate Weight	9 Kg.													

Revision	Description	By	Date
5-2013	Revised Operating Temperature	Ely Zofan	6/25/2013

The information contained herein is believed to be correct, but no guarantee or warranty, express or implied, with respect to accuracy, completeness or results is extended and no liability is assumed.
 Challenge Electronics reserves the right to make changes in any specification, data or material contained herein.