



# PRODUCT INFORMATION

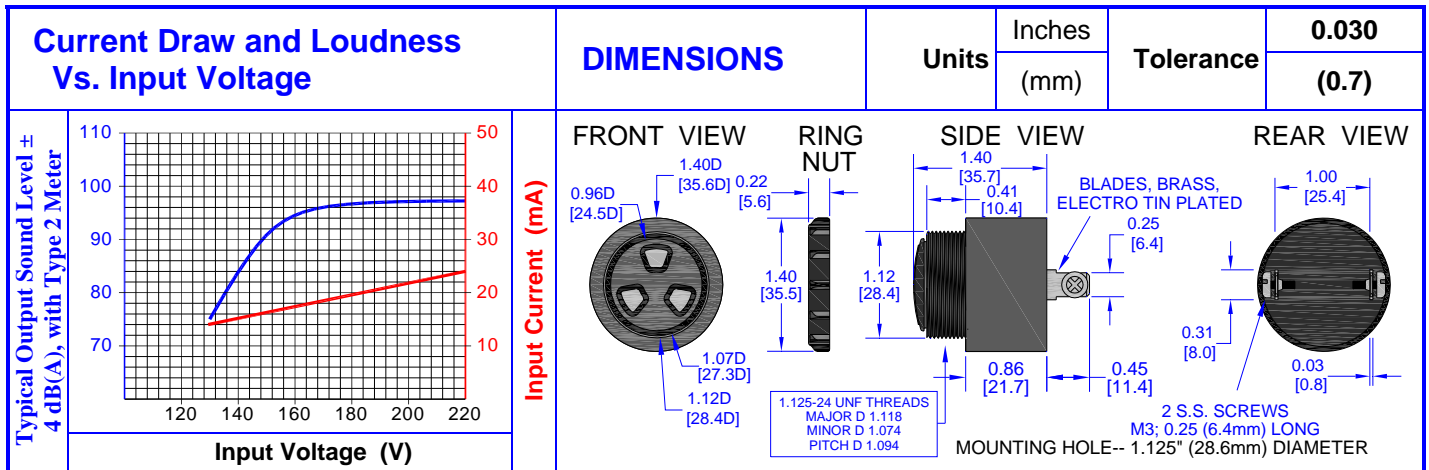
Part #: **CE-BM301ASS**

Revision: 3-2012



DESCRIPTION		FEATURES			
<b>Challenge Electronics B INTERMITTENT Tone, MEDIUM Loud, 130 to 220 Vac, A style case</b> Rear Panel Mounting in 1.125" (28.6 mm) Hole, Sound Pressure Level of 97 dB(A) at 220 Vac at 61 cm, 2,900 Hz. Output Frequency, S two 0.25" (6.4 mm) Blades with M3 0.25" (6.4 mm) long Stainless Steel Screws termination, Slow Rate 1 pulse per second, Piezoelectric Alarm, RoHS Compliant		<ul style="list-style-type: none"> <li>◆ Reliable Solid State Piezoelectric Technology</li> <li>◆ Corrosion resistant Stainless Steel Diaphragm</li> <li>◆ Flame Retardant Plastic</li> <li>◆ Extended storage temperature</li> <li>◆ Hermetically Sealed Alarm</li> <li>◆ Water Proof, NEMA 3R, 4X, or 12 with Gasket (not supplied)</li> <li>◆ RoHS, Lead Free Compliance</li> <li>◆ ISO 9001 Certified</li> </ul>			
SPECIFICATIONS					
Operating Mode	Medium Loud, Slow Intermittent Tones	Pulse Rate	1 ± 10% Pulse per Second		
Operating Voltage	130 to 220 Vac	Nominal Operating Voltage	220 Vac		
Operating Frequency	2,900 ± 250 Hz.				
Typical Loudness	At Minimum Voltage	75 ± 5 dB(A), at 130 Vac, 24 inches (61 cm), 25°C			
	At Maximum Voltage	97 ± 3 dB(A), at 220 Vac, 24 inches (61 cm), 25°C			
Typical Operating Current	At Minimum Voltage	15 mA at 130 Vac	At Maximum Voltage	25 mA at 220 Vac	
	Operating Temperature	-30°C to +65°C		Storage Temperature	-40°C to +105°C
Surge Voltage	20% over maximum Operating Voltage for less than 5 minutes				
Materials	Alarm Case	Plastic, "A" Case, NORYL™, PX9406 or equal, flame retardant UL 94-V0, Black			
	Diaphragm	Stainless Steel 304			
	Encapsulation	Two parts epoxy resin or silicone potting, Black			
	Termination	Two, 0.25 (6.4 mm) Quick Disconnect Blades, 0.032Ø (0.8Ø mm) wide, Brass, Electro-Tin plated With M3 0.25" (6.4 mm) long Stainless Steel Screws			
Physical Dimensions	Length or Diameter (L/D)	1.4" (35.6 mm) Ø	Width (W)	Height (H)	1.4" (35.7 mm)
Approximate Weight	37 grams	Removable Washing Label	No	Compliance	RoHS
Available Options					
RELIABILITY					
Thermal Operating Temperature Test	240 hours continuous operation at Rated Power, at Maximum Rated Operating Temperature *				
Thermal Storage Temperature Test	240 hours continuous operation at Rated Power, at Minimum Rated Operating Temperature *				
Thermal Shock Test	96 hours storage at Maximum Rated Storage Temperatures *				
	96 hours storage at Minimum Rated Storage Temperatures *				
Thermal Shock Test	5 cycles of Minimum and Maximum Operating Temperature Each cycle shall be set per diagram below and is 3 hours long *				<p><b>SINGLE CYCLE</b></p> <p>The graph shows a temperature profile over 210 minutes. It starts at 25°C, drops to a minimum temperature, then rises to 100°C, stays at 100°C for 15 minutes, then drops back to 25°C, and stays at 25°C for 15 minutes. This cycle repeats.</p>
Humidity Test	120 Hours at +60°C±2°C. 90-95% RH *				
Salt Spray	Withstand exposure to salt spray per ASTM B117 for a period of 300 hours *				
Water & Dust Exposure	Withstands water submergence and dust exposure per IP-68 *				
Vibration Test	2 Hours at 1.5 mm with 10 to 55 Hz. of vibration frequency to each of 3 perpendicular direction *				
Drop Test	Dropped naturally from 1 meter height onto the surface of 10mm wooden board, 2 directions upper and side of the part are applied *				
Termination Strength	Maximum of 15 pounds (6.8 Kg) load pull test and of 4 lb. per inch driving torque on screw				
* Reliability Test Performance	Parts should conform to original performance within ±3dB, after 3 hours of recovery and dry period				
Life Test	Intermittent	1,000 hours of a 1 minute on 4 minutes off cycle at room temperature and maximum rated voltage			
	Continuous	250 hours continuous operation at maximum rated Voltage and maximum Operating Temperatures			
Warranty	For a period of one (1) year from date of shipping under normal operations conditions This warranty does not apply to products damaged through misuse, abuse, improper installation, alteration, rework, or attempt to repair				

The information contained herein is believed to be correct, but no guarantee or warranty, express or implied, with respect to accuracy, completeness or results is extended and no liability is assumed.  
 Challenge Electronics reserves the right to make changes in any specification, data or material contained herein.



<b>PACKAGING</b>		<b>MARKING</b>	<b>TRAY</b>																					
<b>ONE TRAY:</b> X1 Y1	<b>TWO BUNDLE</b>	<b>Bundle</b>	<b>X1</b>	<b>34.7 cm</b>																				
<b>ONE BUNDLE:</b> X2 Y2	<b>SHIPPING BOX</b> X3 Y3 Z3	<b>Customer PN</b>	Dimensions																					
		<b>Other PN if required</b>	<b>Y1</b>	<b>34.7 cm</b>																				
<b>TOP COVER</b> ITEM: C/NO: MADE IN CHINA		<b>Quantity</b>	Quantity																					
		<b>Lot and/or Date Code</b>	<b>BUNDLE</b>																					
<table border="1" style="font-size: small;"> <tr><td>6</td><td>↑↑</td></tr> <tr><td>↑↑</td><td>↑↑</td></tr> <tr><td>↑↑</td><td>↑↑</td></tr> <tr><td>↑↑</td><td>↑↑</td></tr> </table>	6	↑↑	↑↑	↑↑	↑↑	↑↑	↑↑	↑↑	<table border="1" style="font-size: small;"> <tr><td>MODEL</td><td>PCS</td></tr> <tr><td>QTY</td><td>PCS</td></tr> <tr><td>N.W</td><td>KG</td></tr> <tr><td>G.W</td><td>KG</td></tr> <tr><td>SIZE</td><td>KG</td></tr> <tr><td>LOT NO</td><td></td></tr> </table>	MODEL	PCS	QTY	PCS	N.W	KG	G.W	KG	SIZE	KG	LOT NO		<b>Shipping Box</b>	Dimensions	
	6	↑↑																						
↑↑	↑↑																							
↑↑	↑↑																							
↑↑	↑↑																							
MODEL	PCS																							
QTY	PCS																							
N.W	KG																							
G.W	KG																							
SIZE	KG																							
LOT NO																								
		<b>Customer Part Number</b>	<b>Y2</b>	<b>cm</b>																				
		<b>Other PN (if required)</b>	Quantity																					
		<b>Quantity</b>	<b>SHIPPING BOX</b>																					
		<b>Lot and/or Date Code</b>	<b>X3</b>	<b>35 cm</b>																				
		<b>PO Number</b>	Dimensions																					
		<b>Net Weight</b>	<b>Y3</b>	<b>35 cm</b>																				
		<b>Gross Weight</b>	Number of Bundles																					
		<b>Box Number</b>	Quantity																					
		<b>of Number of Boxes</b>	Approximate Weight																					
		<b>Made in China</b>	<b>1</b>																					
			<b>250</b>																					
			<b>9 Kg.</b>																					

The information contained herein is believed to be correct, but no guarantee or warranty, express or implied, with respect to accuracy, completeness or results is extended and no liability is assumed.  
 Challenge Electronics reserves the right to make changes in any specification, data or material contained herein.