



Part #:

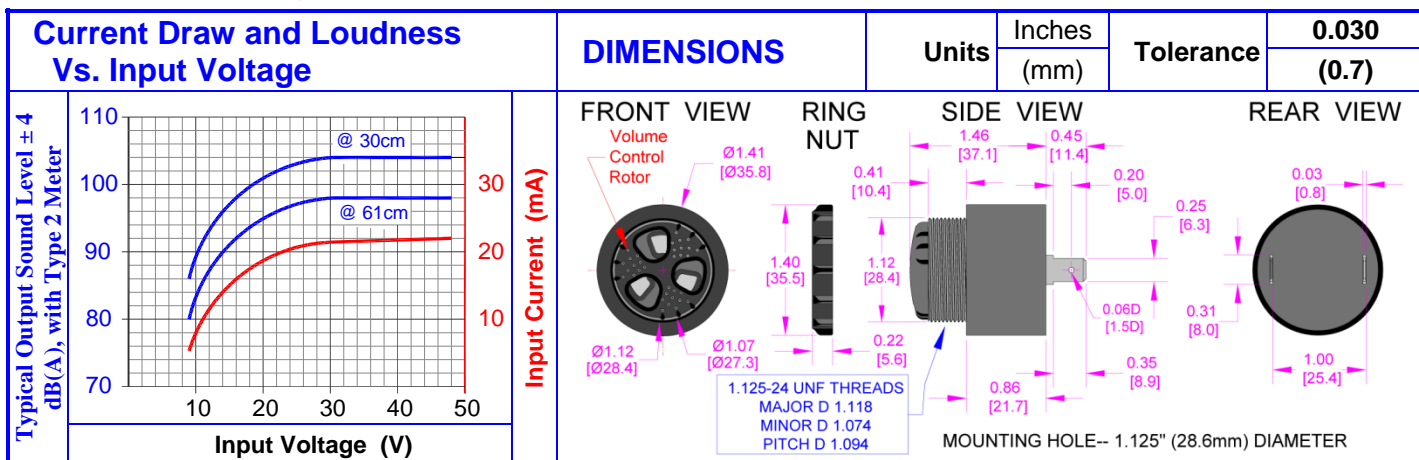
PRODUCT INFORMATION

CE-BM550AVQS

Revision: 5-2018



DESCRIPTION		FEATURES				
Challenge Electronics BEEPING Tone, MEDIUM Loud, 15 to 50 Vac/dc, A style case Rear Panel Mounting in 1.125" (28.6 mm) Hole, Sound Pressure Level of 98 dB(A) at 50 Vac at 61 cm, 2,900 Hz. Output Frequency, Quick Connect Blades termination, Slow Rate 1 pulse per second, Piezoelectric Alarm with a mechanical Volume Control, RoHS Compliant		<ul style="list-style-type: none"> ◆ Reliable Solid State Piezoelectric Technology ◆ Corrosion resistant Stainless Steel Diaphragm ◆ Flame Retardant Plastic ◆ Extended storage temperature ◆ Hermetically Sealed Alarm ◆ Water Proof, NEMA 3R, 4X, or 12 with Gasket (not supplied) ◆ RoHS ◆ ISO 9001 Certified 				
SPECIFICATIONS						
Operating Mode	Medium Loud, Slow Intermittent Tone	Pulse Rate	1 ± 10% Pulse per Second			
Operating Voltage	15 to 50 Vac/dc	Nominal Operating Voltage	36 and 48 Vac			
Operating Frequency	2,900 ± 250 Hz.					
Typical Loudness	At Minimum Voltage	90 ± 5 dB(A), at 15 Vac, 24 inches (61 cm), 25°C				
	At Maximum Voltage	98 ± 3 dB(A), at 50 Vac, 24 inches (61 cm), 25°C				
Volume Control	Maximum Sound Pressure Level can be restricted up to 20 dB from maximum output. (Note, The Volume Control Rotor may reduce maximum loudness) To install, simply, push the ROTOR onto the front of alarm until it snapped in place To attenuate sound, while alarm is turned on, rotate the ROTOR until maximum desired sound is achieved					
Typical Operating Current	At Minimum Voltage	15 mA at 15 Vac	At Maximum Voltage	25 mA at 50 Vac		
Operating Temperature	-30°C to +65°C		Storage Temperature	-40°C to +105°C		
Surge Voltage	20% over maximum Operating Voltage for less than 5 minutes					
Materials	Alarm Case	Plastic, "A" Case, NORYL™, PX9406 or equal, flame retardant UL 94-V0, Black				
	Diaphragm	Stainless Steel 304				
	Encapsulation	Two parts epoxy resin or silicone potting, Black				
	Termination	Two, 0.25 (6.4 mm) Quick Connect Blades, 0.032Ø (0.8Ø mm) Wide, Brass, Electro-Tin plated				
Physical Dimensions	Length or Diameter (L/D)	1.46" (37.1 mm) Ø	Width (W)	Height (H)	1.46" (37.1 mm)	
Approximate Weight	37 grams	Removable Washing Label	No	Compliance	RoHS	
Available Options						
RELIABILITY						
Thermal Operating Temperature Test	240 hours continuous operation at Rated Power, at Maximum Rated Operating Temperature * 240 hours continuous operation at Rated Power, at Minimum Rated Operating Temperature *					
Thermal Storage Temperature Test	96 hours storage at Maximum Rated Storage Temperatures * 96 hours storage at Minimum Rated Storage Temperatures *					
Thermal Shock Test	5 cycles of Minimum and Maximum Operating Temperature Each cycle shall be set per diagram below and is 3 hours long *				<p>SINGLE CYCLE</p> <p>Maximum °C</p> <p>25°C</p> <p>Minutes</p> <p>15 30 45 60 90 120 150 180 210</p> <p>Minimum °C</p>	
Humidity Test	120 Hours at +60°C±2°C. 90-95% RH *					
Salt Spray	Withstand exposure to salt spray per ASTM B117 for a period of 300 hours *					
Water & Dust Exposure	Withstands water submergence and dust exposure per IP-68 *					
Vibration Test	2 Hours at 1.5 mm with 10 to 55 Hz. of vibration frequency to each of 3 perpendicular direction *					
Drop Test	Dropped naturally from 1 meter height onto the surface of 10mm wooden board, 2 directions upper and side of the part are applied *					
Termination Strength	Maximum of 15 pounds (6.8 Kg) load pull test					
* Reliability Test Performance	Parts should conform to original performance within ±3dB, after 3 hours of recovery and dry period					
Life Test	Intermittent	1,000 hours of a 1 minute on 4 minutes off cycle at room temperature and maximum rated voltage				
	Continuous	250 hours continuous operation at maximum rated Voltage and maximum Operating Temperatures				
Warranty	For a period of one (1) year from date of shipping under normal operations conditions This warranty does not apply to products damaged through misuse, abuse, improper installation, alteration, rework, or attempt to repair					



PACKAGING																																				
<p>ONE TRAY:</p>	<p>TWO BUNDLE</p>	<p>MARKING</p> <p>Bundle</p> <p>Customer PN</p> <p>Other PN if required</p> <p>Quantity</p> <p>Lot and/or Date Code</p> <p>Bundle Number</p> <p>Shipping Box</p> <p>Customer Part Number</p> <p>Other PN (if required)</p> <p>Quantity</p> <p>Lot and/or Date Code</p> <p>PO Number</p> <p>Net Weight</p> <p>Gross Weight</p> <p>Box Number of Boxes</p> <p>Made in China</p>	<p>TRAY</p> <table border="1"> <tr> <td rowspan="3">Dimensions</td> <td>X1</td> <td>34.7 cm</td> </tr> <tr> <td>Y1</td> <td>34.7 cm</td> </tr> <tr> <td>Z1</td> <td>21.2 cm</td> </tr> <tr> <td>Quantity</td> <td colspan="2">42</td> </tr> </table> <p>BUNDLE</p> <table border="1"> <tr> <td rowspan="3">Dimensions</td> <td>X2</td> <td>cm</td> </tr> <tr> <td>Y2</td> <td>cm</td> </tr> <tr> <td>Z2</td> <td>cm</td> </tr> </table> <p>SHIPPING BOX</p> <table border="1"> <tr> <td rowspan="3">Dimensions</td> <td>X3</td> <td>35 cm</td> </tr> <tr> <td>Y3</td> <td>35 cm</td> </tr> <tr> <td>Z3</td> <td>22.5 cm</td> </tr> <tr> <td>Number of Bundles</td> <td colspan="2">1</td> </tr> <tr> <td>Quantity</td> <td colspan="2">250</td> </tr> <tr> <td>Approximate Weight</td> <td colspan="2">9 Kg.</td> </tr> </table>	Dimensions	X1	34.7 cm	Y1	34.7 cm	Z1	21.2 cm	Quantity	42		Dimensions	X2	cm	Y2	cm	Z2	cm	Dimensions	X3	35 cm	Y3	35 cm	Z3	22.5 cm	Number of Bundles	1		Quantity	250		Approximate Weight	9 Kg.	
Dimensions	X1	34.7 cm																																		
	Y1	34.7 cm																																		
	Z1	21.2 cm																																		
Quantity	42																																			
Dimensions	X2	cm																																		
	Y2	cm																																		
	Z2	cm																																		
Dimensions	X3	35 cm																																		
	Y3	35 cm																																		
	Z3	22.5 cm																																		
Number of Bundles	1																																			
Quantity	250																																			
Approximate Weight	9 Kg.																																			
<p>ONE BUNDLE:</p> <p>TOP COVER</p> <p>ITEM: C/N/O: MADE IN CHINA</p> <table border="1"> <tr> <td>MODEL</td> <td>PCS</td> </tr> <tr> <td>QTY</td> <td>KG</td> </tr> <tr> <td>N.W</td> <td>KG</td> </tr> <tr> <td>G.W</td> <td>KG</td> </tr> <tr> <td>SIZE</td> <td></td> </tr> <tr> <td>LOT NO</td> <td></td> </tr> </table> <p>SHIPPING BOX</p>	MODEL	PCS	QTY	KG	N.W	KG	G.W	KG	SIZE		LOT NO																									
MODEL	PCS																																			
QTY	KG																																			
N.W	KG																																			
G.W	KG																																			
SIZE																																				
LOT NO																																				

Revision	Description	By	Date
4-2013	Corrected Dimension Drawing	Ely Zofan	11/14/2013
5-2018	Updated Dimensional Drawing pin length from 10.9 mm to 11.4 mm	JL	1/5/2018