



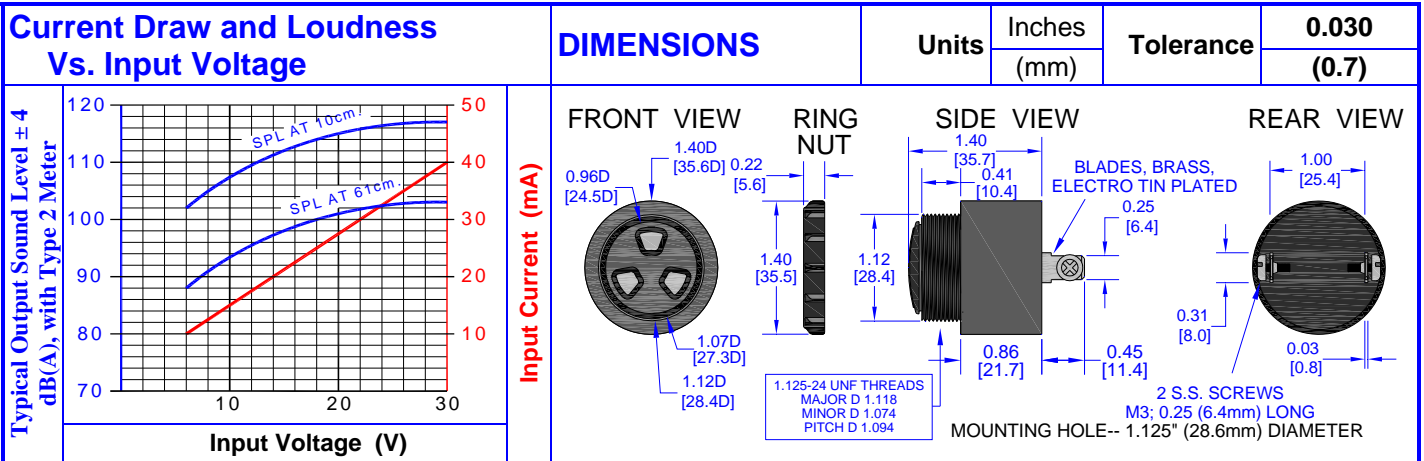
PRODUCT INFORMATION

Part #: **CE-BX630ASF**

Revision: 3-2012



DESCRIPTION		FEATURES			
Challenge Electronics BEEPING Tone, EXTRA Loud, 6 to 30 Vdc, A style case Rear Panel Mounting in 1.125" (28.6 mm) Hole, Sound Pressure Level of 103 dB(A) at 30 Vdc at 61 cm, 2,900 Hz. Output Frequency, S two 0.25" (6.4 mm) Blades with M3 0.25" (6.4 mm) long Stainless Steel Screws termination, Fast Rate 3 pulses per second, Piezoelectric Alarm, RoHS Compliant		<ul style="list-style-type: none"> ◆ Reliable Solid State Piezoelectric Technology ◆ Corrosion resistant Stainless Steel Diaphragm ◆ Flame Retardant Plastic ◆ Extended storage temperature ◆ Hermetically Sealed Alarm ◆ Water Proof, NEMA 3R, 4X, or 12 with Gasket (not supplied) ◆ RoHS, Lead Free Compliance ◆ ISO 9001 Certified 			
SPECIFICATIONS					
Operating Mode	Extra Loud, Fast Intermittent Tones	Pulse Rate	3 ± 10% Pulses per Second		
Operating Voltage	6 to 30 Vdc	Nominal Operating Voltage	24 Vdc		
Operating Frequency	2,900 ± 500 Hz.				
Typical Loudness	At Minimum Voltage	88 ± 6 dB(A), at 6 Vdc, 24 inches (61 cm), 25°C			
	At Maximum Voltage	103 ± 3 dB(A), at 30 Vdc, 24 inches (61 cm), 25°C			
Typical Operating Current	At Minimum Voltage	10 mA at 6Vdc	At Maximum Voltage	40 mA at 30 Vdc	
Operating Temperature	-30°C to +65°C		Storage Temperature	-40°C to +105°C	
Surge Voltage	20% over maximum Operating Voltage for less than 5 minutes				
Materials	Alarm Case	Plastic, "A" Case, NORYL™, PX9406 or equal, flame retardant UL 94-V0, Black			
	Diaphragm	Stainless Steel 304			
	Encapsulation	Two parts epoxy resin or silicone potting, Black			
	Termination	Two, 0.25 (6.4 mm) Quick Connect Blades, 0.032Ø (0.8Ø mm) Wide, Brass, Electro-Tin plated With M3 0.25" (6.4 mm) long Stainless Steel Screws.			
Physical Dimensions	Length or Diameter (L /D)	1.46" (37.1 mm) Ø	Width (W)	Height (H)	1.4" (35.7 mm)
Approximate Weight	37 grams	Removable Washing Label	No	Compliance	RoHS
Available Options					
RELIABILITY					
Thermal Operating Temperature Test	240 hours continuous operation at Rated Power, at Maximum Rated Operating Temperature *				
	240 hours continuous operation at Rated Power, at Minimum Rated Operating Temperature *				
Thermal Storage Temperature Test	96 hours storage at Maximum Rated Storage Temperatures *				
	96 hours storage at Minimum Rated Storage Temperatures *				
Thermal Shock Test	5 cycles of Minimum and Maximum Operating Temperature Each cycle shall be set per diagram below and is 3 hours long *				<p>SINGLE CYCLE</p> <p>Maximum °C</p> <p>25°C</p> <p>15 30 45 60 90 120 150 180 210 Minutes</p> <p>Minimum °C</p>
Humidity Test	120 Hours at +60°C±2°C. 90-95% RH *				
Salt Spray	Withstand exposure to salt spray per ASTM B117 for a period of 300 hours *				
Water & Dust Exposure	Withstands water submergence and dust exposure per IP-68 *				
Vibration Test	2 Hours at 1.5 mm with 10 to 55 Hz. of vibration frequency to each of 3 perpendicular direction *				
Drop Test	Dropped naturally from 1 meter height onto the surface of 10mm wooden board, 2 directions upper and side of the part are applied *				
Termination Strength	Maximum of 15 pounds (6.8 Kg) load pull test and of 4 lb. per inch driving torque on screw				
* Reliability Test Performance	Parts should conform to original performance within ±3dB, after 3 hours of recovery and dry period				
Life Test	Intermittent	1,000 hours of a 1 minute on 4 minutes off cycle at room temperature and maximum rated voltage			
	Continuous	250 hours continuous operation at maximum rated Voltage and maximum Operating Temperatures			
Warranty	For a period of one (1) year from date of shipping under normal operations conditions This warranty does not apply to products damaged through misuse, abuse, improper installation, alteration, rework, or attempt to repair				



PACKAGING

ONE TRAY:		TWO BUNDLE		MARKING		TRAY																							
				Bundle		X1 34.7 cm																							
ONE BUNDLE: 		SHIPPING BOX 		Customer PN		Dimensions																							
TOP COVER 		ITEM: C/NQ: MADE IN CHINA		Other PN if required		Y1 34.7 cm																							
<table border="1"> <tr> <td>6</td> <td>↑↑</td> </tr> <tr> <td>↑</td> <td>↑</td> </tr> <tr> <td>↑</td> <td>↑</td> </tr> </table>		6	↑↑	↑	↑	↑	↑	<table border="1"> <tr> <td>ITEM</td> <td>QTY</td> <td>DATE</td> <td>CHK</td> </tr> <tr> <td>DATE</td> <td>QTY</td> <td>DATE</td> <td>CHK</td> </tr> <tr> <td>DATE</td> <td>QTY</td> <td>DATE</td> <td>CHK</td> </tr> <tr> <td>DATE</td> <td>QTY</td> <td>DATE</td> <td>CHK</td> </tr> </table>		ITEM	QTY	DATE	CHK	DATE	QTY	DATE	CHK	DATE	QTY	DATE	CHK	DATE	QTY	DATE	CHK	Quantity		Z1 21.2 cm	
6	↑↑																												
↑	↑																												
↑	↑																												
ITEM	QTY	DATE	CHK																										
DATE	QTY	DATE	CHK																										
DATE	QTY	DATE	CHK																										
DATE	QTY	DATE	CHK																										
<table border="1"> <tr> <td>MODEL</td> <td>PCS</td> </tr> <tr> <td>QTY</td> <td>KG</td> </tr> <tr> <td>N.W</td> <td>KG</td> </tr> <tr> <td>G.W</td> <td>KG</td> </tr> <tr> <td>SIZE</td> <td></td> </tr> <tr> <td>LOT NO</td> <td></td> </tr> </table>		MODEL	PCS	QTY	KG	N.W	KG	G.W	KG	SIZE		LOT NO		Lot and/or Date Code		BUNDLE		42											
MODEL	PCS																												
QTY	KG																												
N.W	KG																												
G.W	KG																												
SIZE																													
LOT NO																													
SHIPPING BOX		Bundle Number		Dimensions		X2 cm																							
Quantity		Customer Part Number		Dimensions		Y2 cm																							
Lot and/or Date Code		Other PN (if required)		Quantity		Z2 cm																							
PO Number		Quantity		SHIPPING BOX		X3 35 cm																							
Net Weight		Lot and/or Date Code		Dimensions		Y3 35 cm																							
Gross Weight		PO Number		Net Weight		Z3 22.5 cm																							
Box Number		Net Weight		Gross Weight		Number of Bundles																							
of Number of Boxes		Gross Weight		Box Number		1																							
Made in China		of Number of Boxes		Approximate Weight		250																							
Made in China		Approximate Weight		9 Kg.																									

The information contained herein is believed to be correct, but no guarantee or warranty, express or implied, with respect to accuracy, completeness or results is extended and no liability is assumed.
 Challenge Electronics reserves the right to make changes in any specification, data or material contained herein.