



PRODUCT INFORMATION

Part #: **CE-BX630AVSS**

Revision: 3-2012



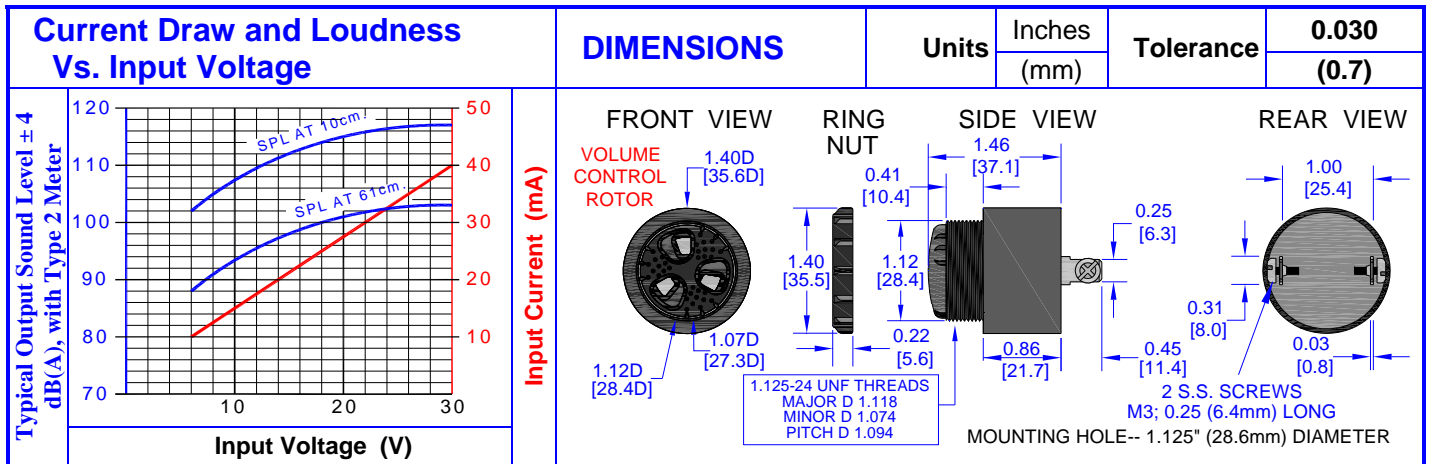
DESCRIPTION	FEATURES
Challenge Electronics B INTERMITTENT Tone, EXTRA Loud, 6 to 30 Vdc, A style case Rear Panel Mounting in 1.125" (28.6 mm) Hole, Sound Pressure Level of 103 dB(A) at 30 Vdc at 61 cm, 2,900 Hz. Output Frequency, S two 0.25" (6.4 mm) Blades with M3 0.25" (6.4 mm) long Stainless Steel Screws termination, Slow Rate 1 pulse per second, Piezoelectric Alarm with a mechanical Volume Control, RoHS Compliant	<ul style="list-style-type: none"> ◆ Reliable Solid State Piezoelectric Technology ◆ Corrosion resistant Stainless Steel Diaphragm ◆ Flame Retardant Plastic ◆ Extended storage temperature ◆ Hermetically Sealed Alarm ◆ Water Proof, NEMA 3R, 4X, or 12 with Gasket (not supplied) ◆ RoHS, Lead Free Compliance ◆ ISO 9001 Certified

SPECIFICATIONS

Operating Mode	Extra Loud, Slow Intermittent Tones		Pulse Rate	1 ± 10% Pulse per Second	
Operating Voltage	6 to 30 Vdc		Nominal Operating Voltage	24 Vdc	
Operating Frequency	2,900 ± 500 Hz.				
Typical Loudness	At Minimum Voltage	88 ± 5 dB(A), at 6 Vdc, 24 inches (61 cm), 25°C			
	At Maximum Voltage	103 ± 3 dB(A), at 30 Vdc, 24 inches (61 cm), 25°C			
Volume Control	Maximum Sound Pressure Level can be restricted up to 20 dB from maximum output. (Note, The Volume Control Rotor may reduce maximum loudness) To install, simply, push the ROTOR onto the front of alarm until it snapped in place To attenuate sound, while alarm is turned on, rotate the ROTOR until maximum desired sound is achieved				
Typical Operating Current	At Minimum Voltage	10 mA at 6 Vdc	At Maximum Voltage	40 mA at 30 Vdc	
Operating Temperature	-30°C to +65°C		Storage Temperature	-40°C to +105°C	
Surge Voltage	20% over maximum Operating Voltage for less than 5 minutes				
Materials	Alarm Case	Plastic, "A" Case, NORYL™, PX9406 or equal, flame retardant UL 94-V0, Black			
	Diaphragm	Stainless Steel 304			
	Encapsulation	Two parts epoxy resin or silicone potting, Black			
	Termination	Two, 0.25 (6.4 mm) Quick Connect Blades, 0.032Ø (0.8Ø mm) Wide, Brass, Electro-Tin plated With M3 0.25" (6.4 mm) long Stainless Steel Screws.			
Physical Dimensions	Length or Diameter (L/D)	1.46" (37.1 mm) Ø	Width (W)	Height (H)	1.46" (37.1 mm)
Approximate Weight	39 grams	Removable Washing Label	No	Compliance	RoHS
Available Options					

RELIABILITY

Thermal Operating Temperature Test	240 hours continuous operation at Rated Power , at Maximum Rated Operating Temperature *
	240 hours continuous operation at Rated Power , at Minimum Rated Operating Temperature *
Thermal Storage Temperature Test	96 hours storage at Maximum Rated Storage Temperatures *
	96 hours storage at Minimum Rated Storage Temperatures *
Thermal Shock Test	5 cycles of Minimum and Maximum Operating Temperature Each cycle shall be set per diagram below and is 3 hours long * <div style="text-align: right;"> </div>
Humidity Test	120 Hours at +60°C±2°C. 90-95% RH *
Salt Spray	Withstand exposure to salt spray per ASTM B117 for a period of 300 hours *
Water & Dust Exposure	Withstands water submergence and dust exposure per IP-68 *
Vibration Test	2 Hours at 1.5 mm with 10 to 55 Hz. of vibration frequency to each of 3 perpendicular direction *
Drop Test	Dropped naturally from 1 meter height onto the surface of 10mm wooden board, 2 directions upper and side of the part are applied *
Termination Strength	Maximum of 15 pounds (6.8 Kg) load pull test and of 4 lb. per inch driving torque on screw
* Reliability Test Performance	Parts should conform to original performance within ±3dB, after 3 hours of recovery and dry period
Life Test	Intermittent 1,000 hours of a 1 minute on 4 minutes off cycle at room temperature and maximum rated voltage
	Continuous 250 hours continuous operation at maximum rated Voltage and maximum Operating Temperatures
Warranty	For a period of one (1) year from date of shipping under normal operations conditions This warranty does not apply to products damaged through misuse, abuse, improper installation, alteration, rework, or attempt to repair



PACKAGING																																																		
<p>ONE TRAY:</p>	<p>TWO BUNDLE</p>	<table border="1"> <thead> <tr> <th>MARKING</th> <th colspan="2">TRAY</th> </tr> </thead> <tbody> <tr> <td>Bundle</td> <td rowspan="3">Dimensions</td> <td>X1 34.7 cm</td> </tr> <tr> <td>Customer PN</td> <td>Y1 34.7 cm</td> </tr> <tr> <td>Other PN if required</td> <td>Z1 21.2 cm</td> </tr> <tr> <td>Quantity</td> <td>Quantity</td> <td>42</td> </tr> <tr> <td>Lot and/or Date Code</td> <td colspan="2">BUNDLE</td> </tr> <tr> <td>Bundle Number</td> <td rowspan="3">Dimensions</td> <td>X2 cm</td> </tr> <tr> <td>Shipping Box</td> <td>Y2 cm</td> </tr> <tr> <td>Customer Part Number</td> <td>Z2 cm</td> </tr> <tr> <td>Other PN (if required)</td> <td>Quantity</td> <td></td> </tr> <tr> <td>Quantity</td> <td colspan="2">SHIPPING BOX</td> </tr> <tr> <td>Lot and/or Date Code</td> <td rowspan="3">Dimensions</td> <td>X3 35 cm</td> </tr> <tr> <td>PO Number</td> <td>Y3 35 cm</td> </tr> <tr> <td>Net Weight</td> <td>Z3 22.5 cm</td> </tr> <tr> <td>Gross Weighjt</td> <td>Number of Bundles</td> <td>1</td> </tr> <tr> <td>Box Number</td> <td>Quantity</td> <td>250</td> </tr> <tr> <td>of Number of Boxes</td> <td>Approximate Weight</td> <td>9 Kg.</td> </tr> <tr> <td>Made in China</td> <td></td> <td></td> </tr> </tbody> </table>	MARKING	TRAY		Bundle	Dimensions	X1 34.7 cm	Customer PN	Y1 34.7 cm	Other PN if required	Z1 21.2 cm	Quantity	Quantity	42	Lot and/or Date Code	BUNDLE		Bundle Number	Dimensions	X2 cm	Shipping Box	Y2 cm	Customer Part Number	Z2 cm	Other PN (if required)	Quantity		Quantity	SHIPPING BOX		Lot and/or Date Code	Dimensions	X3 35 cm	PO Number	Y3 35 cm	Net Weight	Z3 22.5 cm	Gross Weighjt	Number of Bundles	1	Box Number	Quantity	250	of Number of Boxes	Approximate Weight	9 Kg.	Made in China		
MARKING	TRAY																																																	
Bundle	Dimensions	X1 34.7 cm																																																
Customer PN		Y1 34.7 cm																																																
Other PN if required		Z1 21.2 cm																																																
Quantity	Quantity	42																																																
Lot and/or Date Code	BUNDLE																																																	
Bundle Number	Dimensions	X2 cm																																																
Shipping Box		Y2 cm																																																
Customer Part Number		Z2 cm																																																
Other PN (if required)	Quantity																																																	
Quantity	SHIPPING BOX																																																	
Lot and/or Date Code	Dimensions	X3 35 cm																																																
PO Number		Y3 35 cm																																																
Net Weight		Z3 22.5 cm																																																
Gross Weighjt	Number of Bundles	1																																																
Box Number	Quantity	250																																																
of Number of Boxes	Approximate Weight	9 Kg.																																																
Made in China																																																		
<p>ONE BUNDLE:</p>	<p>SHIPPING BOX</p>																																																	

The information contained herein is believed to be correct, but no guarantee or warranty, express or implied, with respect to accuracy, completeness or results is extended and no liability is assumed.
 Challenge Electronics reserves the right to make changes in any specification, data or material contained herein.