
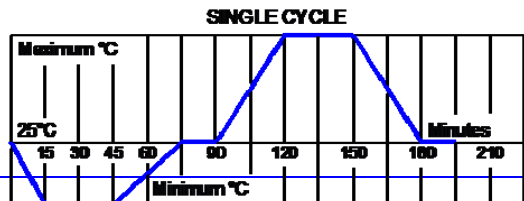




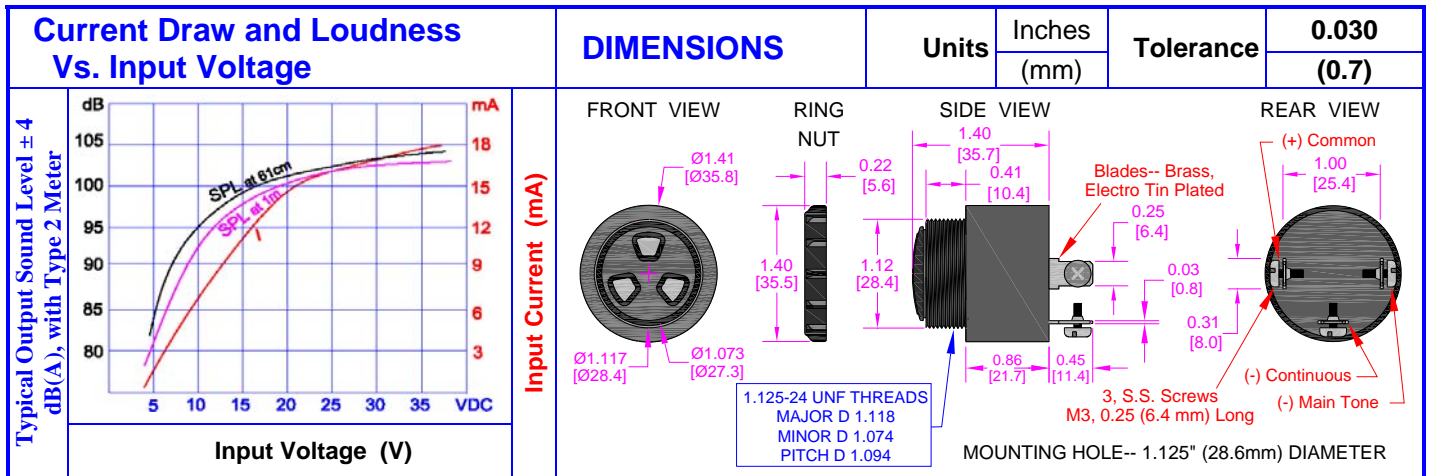
PRODUCT INFORMATION

Part #: **CE-BCM530ASF**

Revision: 3-2012

DESCRIPTION		FEATURES						
<p>Challenge Electronics Dual-Function BEEPING or CONTINUOUS Tones, MEDIUM Loud, 5 to 30 Vdc, A style case Rear Panel Mounting in 1.125" (28.6 mm) Hole, Sound Pressure Level of 98 dB(A) at 30 Vdc at 61 cm, 2,900 Hz. Output Frequency, S three 0.25" (6.4 mm) Blades with M3 0.25" (6.4 mm) long Stainless Steel Screws termination, Fast Rate 3 pulses per second, Piezoelectric Alarm, RoHS Compliant</p>		<ul style="list-style-type: none"> ◆ Reliable Solid State Piezoelectric Technology ◆ Corrosion resistant Stainless Steel Diaphragm ◆ Flame Retardant Plastic ◆ Extended storage temperature ◆ Hermetically Sealed Alarm ◆ Water Proof, NEMA 3R, 4X, or 12 with Gasket (not supplied) ◆ RoHS, Lead Free Compliance ◆ ISO 9001 Certified 						
SPECIFICATIONS								
Operating Mode	Medium Loud, Fast Intermittent or Continuous Tones					Pulse Rate	3 ± 10% Pulses per Second	
Operating Voltage	5 to 30 Vdc					Nominal Operating Voltage	24 Vdc	
Operating Frequency	2,900 ± 250 Hz.							
Typical Loudness	At Minimum Voltage					85 ± 5 dB(A), at 5 Vdc, 24 inches (61 cm), 25°C		
	At Maximum Voltage					98 ± 3 dB(A), at 30 Vdc, 24 inches (61 cm), 25°C		
Typical Operating Current	At Minimum Voltage					5 mA at 5 Vdc	At Maximum Voltage	25 mA at 30 Vdc
	Operating Temperature					-30°C to +65°C		Storage Temperature
Surge Voltage	20% over maximum Operating Voltage for less than 5 minutes							
Materials	Alarm Case					Plastic, "A" Case, NORYL™, PX9406 or equal, flame retardant UL 94-V0, Black		
	Diaphragm	Stainless Steel 304						
	Encapsulation	Two parts epoxy resign or silicone potting, Black						
	Termination	Three, 0.25 (6.4 mm) Quick Connect Blades, 0.032Ø (0.8Ø mm) Wide, Brass, Electro-Tin plated With M3 0.25" (6.4 mm) long Stainless Steel Screws.						
Physical Dimensions	Length or Diameter (L /D)	1.46" (37.1 mm) Ø	Width (W)	Height (H)	1.4" (35.7 mm)			
Approximate Weight	42 grams	Removable Washing Label	No	Compliance	RoHS			
Available Options								
RELIABILITY								
Thermal Operating Temperature Test	240 hours continuous operation at Rated Power, at Maximum Rated Operating Temperature *							
	240 hours continuous operation at Rated Power, at Minimum Rated Operating Temperature *							
Thermal Storage Temperature Test	96 hours storage at Maximum Rated Storage Temperatures *							
	96 hours storage at Minimum Rated Storage Temperatures *							
Thermal Shock Test	5 cycles of Minimum and Maximum Operating Temperature Each cycle shall be set per diagram below and is 3 hours long *							
Humidity Test	120 Hours at +60°C±2°C. 90-95% RH *							
Salt Spray	Withstand exposure to salt spray per ASTM B117 for a period of 300 hours *							
Water & Dust Exposure	Withstands water submergence and dust exposure per IP-68 *							
Vibration Test	2 Hours at 1.5 mm with 10 to 55 Hz. of vibration frequency to each of 3 perpendicular direction *							
Drop Test	Dropped naturally from 1 meter height onto the surface of 10mm wooden board, 2 directions upper and side of the part are applied *							
Termination Strength	Maximum of 15 pounds (6.8 Kg) load pull test and of 4 lb. per inch driving torque on screw							
* Reliability Test Performance	Parts should conform to original performance within ±3dB, after 3 hours of recovery and dry period							
Life Test	Intermittent	1,000 hours of a 1 minute on 4 minutes off cycle at room temperature and maximum rated voltage						
	Continuous	250 hours continuous operation at maximum rated Voltage and maximum Operating Temperatures						
Warranty	For a period of one (1) year from date of shipping under normal operations conditions This warranty does not apply to products damaged through misuse, abuse, improper installation, alteration, rework, or attempt to repair							

The information contained herein is believed to be correct, but no guarantee or warranty, express or implied, with respect to accuracy, completeness or results is extended and no liability is assumed.
 Challenge Electronics reserves the right to make changes in any specification, data or material contained herein.



PACKAGING		MARKING		TRAY													
ONE TRAY:	TWO BUNDLE	Bundle		X1	34.7 cm												
		Customer PN	Dimensions	Y1	34.7 cm												
ONE BUNDLE:	SHIPPING BOX	Other PN if required		Z1	21.2 cm												
		Quantity	Quantity	42													
TOP COVER		Lot and/or Date Code	BUNDLE														
		Bundle Number	X2	cm													
ITEM: C/NO: MADE IN CHINA		Shipping Box	Dimensions	Y2	cm												
		Customer Part Number		Z2	cm												
<table border="1"> <tr><td>6</td><td>↑↑</td></tr> <tr><td>↑↑</td><td></td></tr> <tr><td>↑↑</td><td></td></tr> <tr><td>↑↑</td><td></td></tr> </table>	6	↑↑	↑↑		↑↑		↑↑			Other PN (if required)	Quantity						
6	↑↑																
↑↑																	
↑↑																	
↑↑																	
<table border="1"> <tr><td>MODEL</td><td>PCS</td></tr> <tr><td>QTY</td><td></td></tr> <tr><td>N.W</td><td>KG</td></tr> <tr><td>G.W</td><td>KG</td></tr> <tr><td>SIZE</td><td></td></tr> <tr><td>LOT NO</td><td></td></tr> </table>	MODEL	PCS	QTY		N.W	KG	G.W	KG	SIZE		LOT NO			Quantity	SHIPPING BOX		
MODEL	PCS																
QTY																	
N.W	KG																
G.W	KG																
SIZE																	
LOT NO																	
		Lot and/or Date Code	X3	35 cm													
		PO Number	Dimensions	Y3	35 cm												
		Net Weight		Z3	22.5 cm												
		Gross Weight	Number of Bundles	1													
		Box Number	Quantity	250													
		of Number of Boxes	Approximate Weight	13 Kg.													
		Made in China															

The information contained herein is believed to be correct, but no guarantee or warranty, express or implied, with respect to accuracy, completeness or results is extended and no liability is assumed.
 Challenge Electronics reserves the right to make changes in any specification, data or material contained herein.