



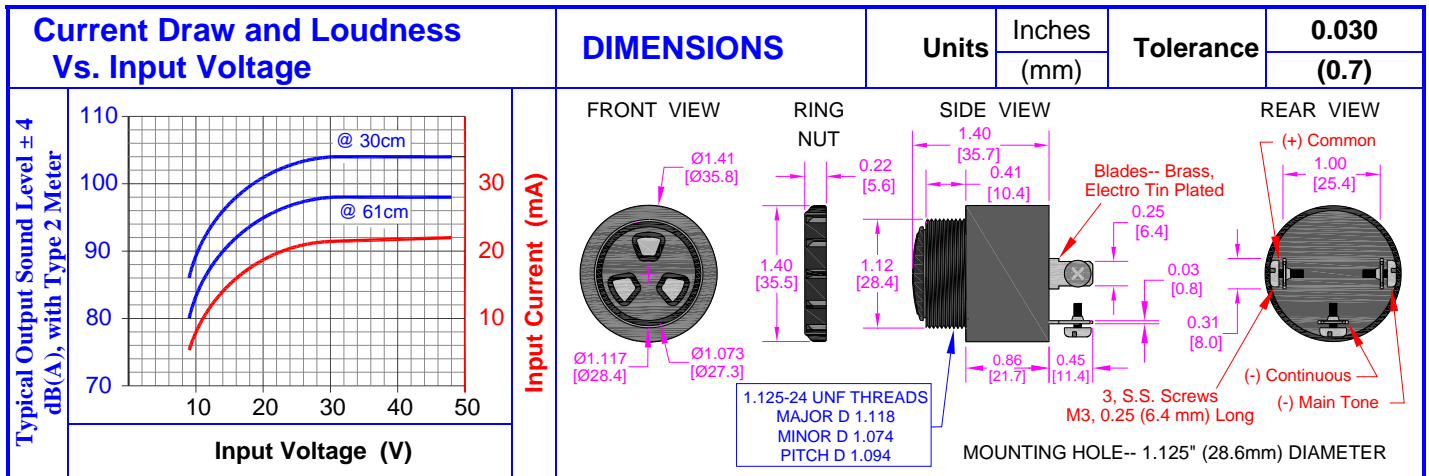
PRODUCT INFORMATION

Part #: **CE-BCM948ASS**

Revision: 3-2012



DESCRIPTION		FEATURES			
<p>Challenge Electronics Dual-Function BEEPING or CONTINUOUS Tones, MEDIUM Loud, 9 to 48 Vdc, A style case Rear Panel Mounting in 1.125" (28.6 mm) Hole, Sound Pressure Level of 98 dB(A) at 48 Vdc at 61 cm, 2,900 Hz. Output Frequency, S three 0.25" (6.4 mm) Blades with M3 0.25" (6.4 mm) long Stainless Steel Screws termination, Slow Rate 1 pulse per second, Piezoelectric Alarm, RoHS Compliant</p>		<ul style="list-style-type: none"> ◆ Reliable Solid State Piezoelectric Technology ◆ Corrosion resistant Stainless Steel Diaphragm ◆ Flame Retardant Plastic ◆ Extended storage temperature ◆ Hermetically Sealed Alarm ◆ Water Proof, NEMA 3R, 4X, or 12 with Gasket (not supplied) ◆ RoHS, Lead Free Compliance ◆ ISO 9001 Certified 			
SPECIFICATIONS					
Operating Mode	Medium Loud, Slow Intermittent or Continuous Tones	Pulse Rate	1 ± 10% Pulse per Second		
Operating Voltage	9 to 48 Vdc	Nominal Operating Voltage	36 and 48 Vdc		
Operating Frequency	2,900 ± 250 Hz.				
Typical Loudness	At Minimum Voltage	88 ± 5 dB(A), at 9 Vdc, 24 inches (61 cm), 25°C			
	At Maximum Voltage	98 ± 3 dB(A), at 48 Vdc, 24 inches (61 cm), 25°C			
Typical Operating Current	At Minimum Voltage	10 mA at 9 Vdc	At Maximum Voltage	25 mA at 48 Vdc	
	Operating Temperature	-30°C to +65°C		Storage Temperature	-40°C to +105°C
Surge Voltage	20% over maximum Operating Voltage for less than 5 minutes				
Materials	Alarm Case	Plastic, "A" Case, NORYL™, PX9406 or equal, flame retardant UL 94-V0, Black			
	Diaphragm	Stainless Steel 304			
	Encapsulation	Two parts epoxy resin or silicone potting, Black			
	Termination	Three, 0.25 (6.4 mm) Quick Connect Blades, 0.032Ø (0.8Ø mm) Wide, Brass, Electro-Tin plated With M3 0.25" (6.4 mm) long Stainless Steel Screws.			
Physical Dimensions	Length or Diameter (L/D)	1.46" (37.1 mm) Ø	Width (W)	Height (H)	1.4" (35.7 mm)
Approximate Weight	43 grams	Removable Washing Label	No	Compliance	RoHS
Available Options					
RELIABILITY					
Thermal Operating Temperature Test	240 hours continuous operation at Rated Power, at Maximum Rated Operating Temperature *				
	240 hours continuous operation at Rated Power, at Minimum Rated Operating Temperature *				
Thermal Storage Temperature Test	96 hours storage at Maximum Rated Storage Temperatures *				
	96 hours storage at Minimum Rated Storage Temperatures *				
Thermal Shock Test	<p>5 cycles of Minimum and Maximum Operating Temperature Each cycle shall be set per diagram below and is 3 hours long *</p>				
Humidity Test	120 Hours at +60°C±2°C. 90-95% RH *				
Salt Spray	Withstand exposure to salt spray per ASTM B117 for a period of 300 hours *				
Water & Dust Exposure	Withstands water submergence and dust exposure per IP-68 *				
Vibration Test	2 Hours at 1.5 mm with 10 to 55 Hz. of vibration frequency to each of 3 perpendicular direction *				
Drop Test	Dropped naturally from 1 meter height onto the surface of 10mm wooden board, 2 directions upper and side of the part are applied *				
Termination Strength	Maximum of 15 pounds (6.8 Kg) load pull test and of 4 lb. per inch driving torque on screw				
* Reliability Test Performance	Parts should conform to original performance within ±3dB, after 3 hours of recovery and dry period				
Life Test	Intermittent	1,000 hours of a 1 minute on 4 minutes off cycle at room temperature and maximum rated voltage			
	Continuous	250 hours continuous operation at maximum rated Voltage and maximum Operating Temperatures			
Warranty	For a period of one (1) year from date of shipping under normal operations conditions This warranty does not apply to products damaged through misuse, abuse, improper installation, alteration, rework, or attempt to repair				



PACKAGING		MARKING	TRAY		
<p>ONE TRAY:</p>	<p>TWO BUNDLE</p>	Bundle	Dimensions	X1	34.7 cm
		Customer PN		Y1	34.7 cm
Other PN if required	Z1	21.2 cm			
Quantity	Quantity	42			
Lot and/or Date Code	BUNDLE				
Bundle Number	Dimensions	X2	cm		
Shipping Box		Y2	cm		
Customer Part Number		Z2	cm		
Other PN (if required)	Quantity				
Quantity	SHIPPING BOX				
Lot and/or Date Code	Dimensions	X3	35 cm		
PO Number		Y3	35 cm		
Net Weight		Z3	22.5 cm		
Gross Weight	Number of Bundles	1			
Box Number	Quantity	250			
of Number of Boxes	Approximate Weight	13 Kg.			
Made in China					

The information contained herein is believed to be correct, but no guarantee or warranty, express or implied, with respect to accuracy, completeness or results is extended and no liability is assumed.
 Challenge Electronics reserves the right to make changes in any specification, data or material contained herein.