



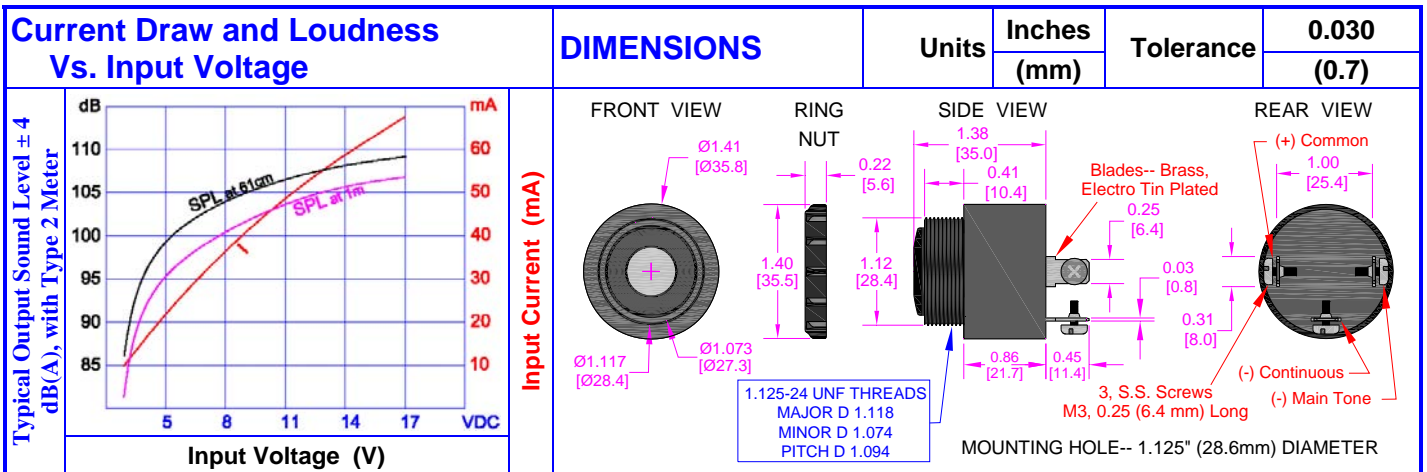
PRODUCT INFORMATION

Part #: CE-BCU515BSF

Revision: 5-2012



DESCRIPTION		FEATURES			
Challenge Electronics Dual-Function BEEPING or CONTINUOUS Tones, ULTRA Loud, 5 to 15 Vdc sound frequency of 2,100 Hz. B style case Rear Panel Mounting in 1.125" (28.6 mm) Hole, Sound Pressure Level of 108 dB(A) at 15 Vdc at 61 cm, S three 0.25" (6.4 mm) Blades with M3 0.25" (6.4 mm) long Stainless Steel Screws termination, Fast 3 pulses per second, Piezoelectric Alarm, RoHS Compliant		<ul style="list-style-type: none"> ◆ Reliable Solid State Piezoelectric Technology ◆ Corrosion resistant Stainless Steel Diaphragm ◆ Flame Retardant Plastic ◆ Extended storage temperature ◆ Hermetically Sealed Alarm ◆ Water Proof, NEMA 3R, 4X, or 12 with Gasket (not supplied) ◆ RoHS, Lead Free Compliance ◆ ISO 9001 Certified 			
SPECIFICATIONS					
Operating Mode	Ultra Loud, Fast Intermittent or Continuous Tones		Pulse Rate	3 ± 10% Pulses per Second	
Operating Voltage	5 to 15 Vdc		Nominal Operating Voltage	12 Vdc	
Operating Frequency	2,100 ± 200 Hz.				
Typical Loudness	At Minimum Voltage	100 ± 5 dB(A), at 5 Vdc, 24 inches (61 cm), 25°C			
	At Maximum Voltage	108 ± 3 dB(A), at 15 Vdc, 24 inches (61 cm), 25°C			
Typical Operating Current	At Minimum Voltage	20 mA at 5 Vdc	At Maximum Voltage	70 mA at 15 Vdc	
	Operating Temperature	-30°C to +85°C		Storage Temperature	-40°C to +105°C
Surge Voltage	20% over maximum Operating Voltage for less than 5 minutes				
Materials	Alarm Case	Plastic, "B" Case Style, NORYL™, PX9406 or equal, flame retardant UL 94-V0, Black			
	Diaphragm	Stainless Steel 304			
	Encapsulation	Two parts epoxy resign or silicone potting, Black			
	Termination	Three, 0.25 (6.4 mm) Quick Connect Blades, 0.032Ø (0.8Ø mm) Wide, Brass, Electro-Tin plated With M3 0.25" (6.4 mm) long Stainless Steel Screws.			
Physical Dimensions	Length or Diameter (L/D)	1.46" (37.1 mm) Ø	Width (W)	Height (H)	1.40" (35.7 mm)
Approximate Weight	43 grams	Removable Washing Label	No	Compliance	RoHS
Available Options					
RELIABILITY					
Thermal Operating Temperature Test	240 hours continuous operation at Rated Power , at Maximum Rated Operating Temperature *				
	240 hours continuous operation at Rated Power , at Minimum Rated Operating Temperature *				
Thermal Storage Temperature Test	96 hours storage at Maximum Rated Storage Temperatures *				
	96 hours storage at Minimum Rated Storage Temperatures *				
Thermal Shock Test	5 cycles of Minimum and Maximum Operating Temperature Each cycle shall be set per diagram below and is 3 hours long *				<p>SINGLE CYCLE</p> <p>Maximum °C</p> <p>25°C</p> <p>15 30 45 60 90 120 150 180 210</p> <p>Minutes</p> <p>Minimum °C</p>
Humidity Test	120 Hours at +60°C±2°C. 90-95% RH *				
Salt Spray	Withstand exposure to salt spray per ASTM B117 for a period of 300 hours *				
Water & Dust Exposure	Withstands water submergence and dust exposure per IP-68 *				
Vibration Test	2 Hours at 1.5 mm with 10 to 55 Hz. of vibration frequency to each of 3 perpendicular direction *				
Drop Test	Dropped naturally from 1 meter height onto the surface of 10mm wooden board, 2 directions upper and side of the part are applied *				
Termination Strength	Maximum of 15 pounds (6.8 Kg) load pull test and of 4 lb. per inch driving torque on screw				
* Reliability Test Performance	Parts should conform to original performance within ±3dB, after 3 hours of recovery and dry period				
Life Test	Intermittent	1,000 hours of a 1 minute on 4 minutes off cycle at room temperature and maximum rated voltage			
	Continuous	250 hours continuous operation at maximum rated Voltage and maximum Operating Temperatures			
Warranty	For a period of one (1) year from date of shipping under normal operations conditions This warranty does not apply to products damaged through misuse, abuse, improper installation, alteration, rework, or attempt to repair				



PACKAGING

ONE TRAY:	TWO BUNDLE	MARKING	TRAY	
		Bundle		X1 34.7 cm
		Customer PN	Dimensions	Y1 34.7 cm
		Other PN if required		Z1 21.2 cm
		Quantity	Quantity	42
		Lot and/or Date Code	BUNDLE	
		Bundle Number	X2	cm
		Shipping Box	Dimensions	Y2 cm
		Customer Part Number		Z2 cm
		Other PN (if required)	Quantity	
		Quantity	SHIPPING BOX	
		Lot and/or Date Code	X3	35 cm
		PO Number	Dimensions	Y3 35 cm
		Net Weight		Z3
		Gross Weight	Number of Bundles	1
		Box Number	Quantity	250
		of Number of Boxes	Approximate Weight	13 Kg.
		Made in China		

ONE BUNDLE:

SHIPPING BOX:

ITEM: C/NO: MADE IN CHINA

6	↑↑
↑	↓
↑	↓

MODEL	PCS
QTY	KG
N.W	KG
G.W	KG
SIZE	
LOT NO	

TOP COVER

The information contained herein is believed to be correct, but no guarantee or warranty, express or implied, with respect to accuracy, completeness or results is extended and no liability is assumed.
 Challenge Electronics reserves the right to make changes in any specification, data or material contained herein.