



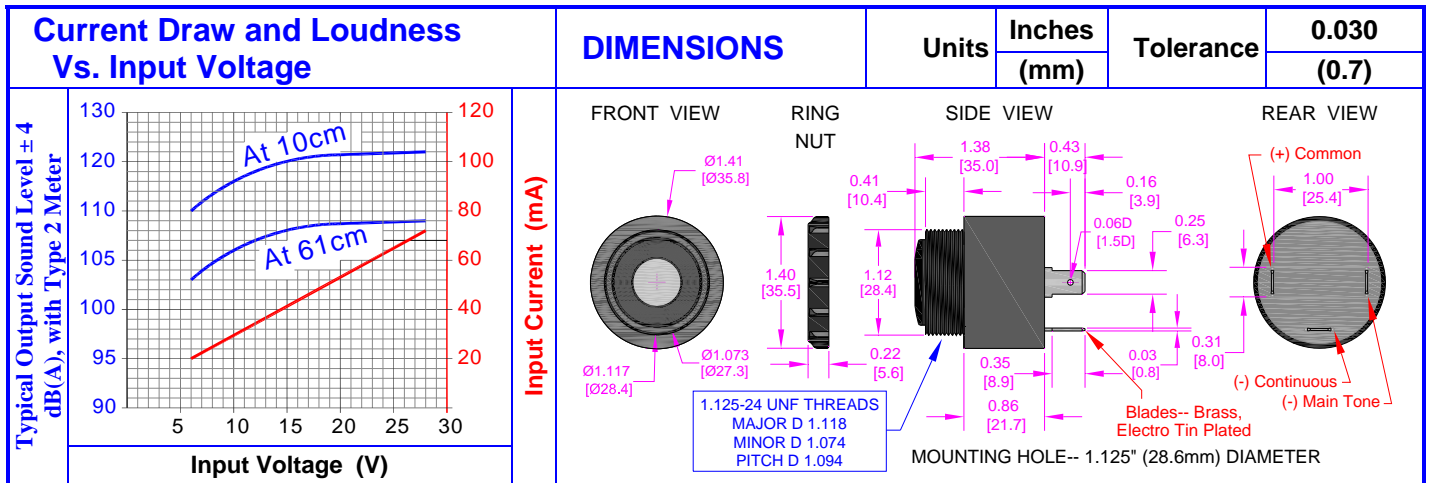
PRODUCT INFORMATION

Part #: **CE-BCU628BQF**

Revision: 5-2012



DESCRIPTION		FEATURES			
Challenge Electronics Dual-Function BEEPING or CONTINUOUS Tones, ULTRA Loud, 6 to 28 Vdc sound frequency of 2,100 Hz. B style case Rear Panel Mounting in 1.125" (28.6 mm) Hole, Sound Pressure Level of 108 dB(A) at 28 Vdc at 61 cm, three Quick Connect Blades termination, Fast Rate 3 pulses per second, Piezoelectric Alarm, RoHS Compliant		<ul style="list-style-type: none"> ◆ Reliable Solid State Piezoelectric Technology ◆ Corrosion resistant Stainless Steel Diaphragm ◆ Flame Retardant Plastic ◆ Extended storage temperature ◆ Hermetically Sealed Alarm ◆ Water Proof, NEMA 3R, 4X, or 12 with Gasket (not supplied) ◆ RoHS, Lead Free Compliance ◆ ISO 9001 Certified 			
SPECIFICATIONS					
Operating Mode	Ultra Loud, Fast Intermittent or Continuous Tones		Pulse Rate	3 ± 10% Pulses per Second	
Operating Voltage	6 to 28 Vdc		Nominal Operating Voltage	24 Vdc	
Operating Frequency	2,100 ± 200 Hz.				
Typical Loudness	At Minimum Voltage	100 ± 5 dB(A), at 6 Vdc, 24 inches (61 cm), 25°C			
	At Maximum Voltage	108 ± 3 dB(A), at 28 Vdc, 24 inches (61 cm), 25°C			
Typical Operating Current	At Minimum Voltage	20 mA at 6 Vdc	At Maximum Voltage	70 mA at 28 Vdc	
Operating Temperature	-30°C to +85°C		Storage Temperature	-40°C to +105°C	
Surge Voltage	20% over maximum Operating Voltage for less than 5 minutes				
Materials	Alarm Case	Plastic, "B" Case Style, NORYL™, PX9406 or equal, flame retardant UL 94-V0, Black			
	Diaphragm	Stainless Steel 304			
	Encapsulation	Two parts epoxy resin or silicone potting, Black			
	Termination	Three, 0.25 (6.4 mm) Quick Disconnect Blades, 0.032Ø (0.8Ø mm) wide, Brass, Electro-Tin plated			
Physical Dimensions	Length or Diameter (L /D)	1.46" (37.6 mm) Ø	Width (W)	Height (H)	1.40" (35.7 mm)
Approximate Weight	40 grams	Removable Washing Label	No	Compliance	RoHS
Available Options					
RELIABILITY					
Thermal Operating Temperature Test	240 hours continuous operation at Rated Power, at Maximum Rated Operating Temperature *				
	240 hours continuous operation at Rated Power, at Minimum Rated Operating Temperature *				
Thermal Storage Temperature Test	96 hours storage at Maximum Rated Storage Temperatures *				
	96 hours storage at Minimum Rated Storage Temperatures *				
Thermal Shock Test	5 cycles of Minimum and Maximum Operating Temperature				
	Each cycle shall be set per diagram below and is 3 hours long *				
Humidity Test	120 Hours at +60°C±2°C. 90-95% RH *				
Salt Spray	Withstand exposure to salt spray per ASTM B117 for a period of 300 hours *				
Water & Dust Exposure	Withstands water submergence and dust exposure per IP-68 *				
Vibration Test	2 Hours at 1.5 mm with 10 to 55 Hz. of vibration frequency to each of 3 perpendicular direction *				
Drop Test	Dropped naturally from 1 meter height onto the surface of 10mm wooden board, 2 directions upper and side of the part are applied *				
Termination Strength	Maximum of 15 pounds (6.8 Kg) load pull test				
* Reliability Test Performance	Parts should conform to original performance within ±3dB, after 3 hours of recovery and dry period				
Life Test	Intermittent	1,000 hours of a 1 minute on 4 minutes off cycle at room temperature and maximum rated voltage			
	Continuous	250 hours continuous operation at maximum rated Voltage and maximum Operating Temperatures			
Warranty	For a period of one (1) year from date of shipping under normal operations conditions This warranty does not apply to products damaged through misuse, abuse, improper installation, alteration, rework, or attempt to repair				



PACKAGING

ONE TRAY:

TWO BUNDLE

ONE BUNDLE:

SHIPPING BOX

ITEM: C/NO: MADE IN CHINA

MODEL		
QTY	PCS	
N.W	KG	
G.W	KG	
SIZE		
LOT NO		

MARKING	TRAY	
Bundle	X1	34.7 cm
Customer PN	Y1	34.7 cm
Other PN if required	Z1	21.2 cm
Quantity	42	
Lot and/or Date Code	BUNDLE	
Bundle Number	X2	cm
Shipping Box	Y2	cm
Customer Part Number	Z2	cm
Other PN (if required)	Quantity	
Quantity	SHIPPING BOX	
Lot and/or Date Code	X3	35 cm
PO Number	Y3	35 cm
Net Weight	Z3	22.5 cm
Gross Weighjt	Number of Bundles	1
Box Number	Quantity	250
of Number of Boxes	Approximate Weight	11 Kg.
Made in China		

The information contained herein is believed to be correct, but no guarantee or warranty, express or implied, with respect to accuracy, completeness or results is extended and no liability is assumed.
 Challenge Electronics reserves the right to make changes in any specification, data or material contained herein.