



# PRODUCT INFORMATION

	<b>Part Number</b>	<b>CEC-532</b>	<b>Revision: 3-2013</b>
	<b>Customer PN</b>		

## Soft Continuous Modulated Tone Piezoelectric Alarm

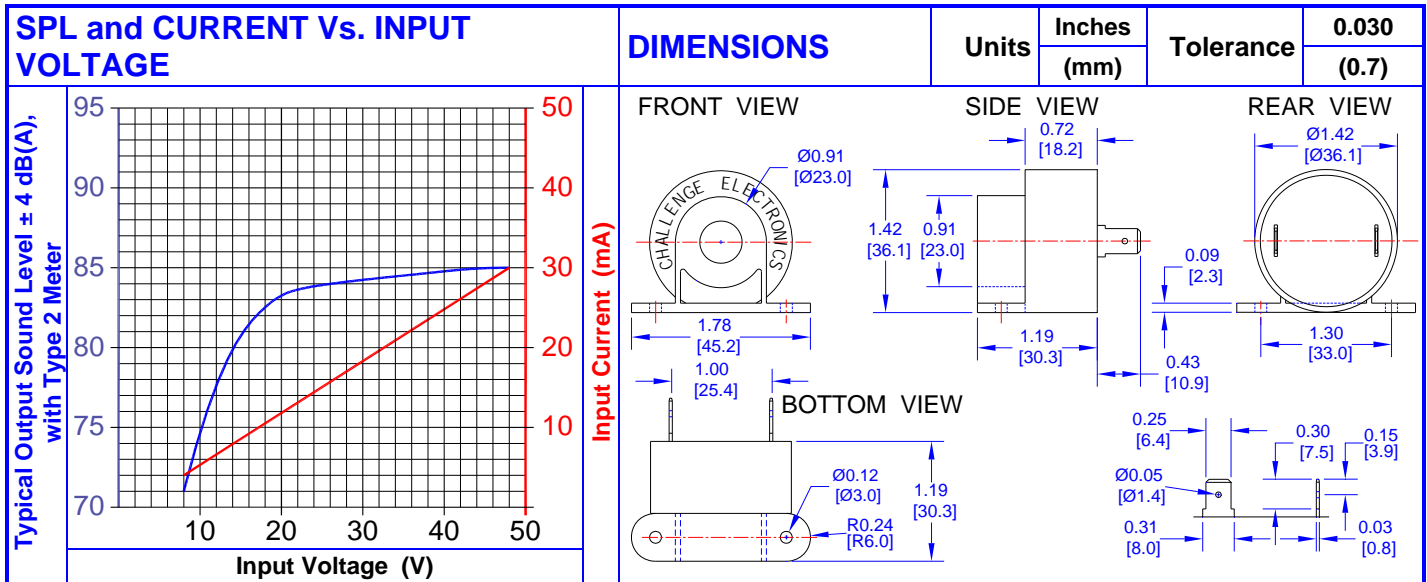


<b>DESCRIPTION</b>	<b>FEATURES</b>
Challenge Electronics Piezoelectric Alarm; <b>SOFT Loudness CONTINUOUS Modulated Tone; 9 to 48 Vdc, 85 dB(A)</b> at maximum Voltage and 61 cm; with a frequency of <b>215 Hz.</b> Piezoelectric Alarm; Includes <b>4,700 Ω</b> Shunt from positive to negative terminals for False Alarm; Panel Mounted with 2 screws; Terminated with two 0.25" (6.4 mm) <b>Quick Disconnect Blades</b>	<ul style="list-style-type: none"> <li>◆ Reliable Solid State Piezoelectric Technology</li> <li>◆ Corrosion resistant Stainless Steel Diaphragm</li> <li>◆ Flame Retardant Plastic</li> <li>◆ Hermetically Sealed Alarm</li> <li>◆ SMD components protected with Silicon Potting for thermal variance</li> <li>◆ RoHS</li> <li>◆ ISO 9001 and Certified</li> </ul>

<b>Operating Mode</b>		<b>Soft Loud, Continuous Modulated Tone</b>		<b>Pulse Rate</b>		
<b>Operating Voltage</b>		9 to 48 Vdc		<b>Nominal Operating Voltage</b>		36 Vdc
<b>Operating Frequency</b>		Main Frequency: 215 ± 20% Hz. Modulated with a 2,900 ± 20% Hz. Harmonic				
<b>Sound Pressure Level</b>	<b>At Minimum Voltage</b>	70 ± 5 dB(A) at: 9 Vdc, 24 inches (61 cm), 25°C				
	<b>At Nominal Voltage</b>	84 ± 4 dB(A) at: 36 Vdc, 24 inches (61 cm), 25°C				
	<b>At Maximum Voltage</b>	85 ± 4 dB(A) at: 48 Vdc, 24 inches (61 cm), 25°C				
<b>Maximum Current</b>	<b>At Minimum Voltage</b>	5 mA	<b>At Nominal Voltage</b>	22 mA	<b>At Maximum Voltage</b>	30 mA
	<b>Surge Voltage</b> 10% over maximum Operating Voltage for less than 1 minutes					
<b>False Operation</b>		Alarm includes 4,700 Ohms Shunts from Positive to each Negative to eliminate false sound due to leakage current				
<b>Operating Temperature</b>		-30°C to +65°C		<b>Storage Temperature</b>		-40°C to +85°C
<b>Materials</b>	<b>Alarm Case</b>	Plastic, "J" Case, NORYL™, PX9406 or equal, flame retardant UL 94-V0, Black				
	<b>Diaphragm</b>	Stainless Steel 304				
	<b>Encapsulation</b>	20% over maximum Operating Voltage for less than 5 minutes				
	<b>Termination</b>	Two (2), 0.25 (6.4 mm) Quick Disconnect Blades, 0.032Ø (0.8Ø mm) wide, Brass, Electro-Tin plated				
<b>Physical Dimensions</b>		<b>Length or Diameter (L /D)</b>	1.40" (35.7 mm) Ø	<b>Width (W)</b>	1.78" (45.2 mm)	<b>Height (H)</b> 1.65" (41.9 mm)
<b>Approximate Weight</b>		25 grams	<b>Compliance</b>	RoHS		
<b>Options</b>						

### RELIABILITY

<b>Thermal Operating Temperature Test</b>	96 hours continuous operation at <b>Rated Power</b> , at <b>Maximum Rated Operating Temperature</b> *
	96 hours continuous operation at <b>Rated Power</b> , at <b>Minimum Rated Operating Temperature</b> *
<b>Thermal Storage Temperature Test</b>	96 hours storage at <b>Maximum Rated Storage Temperatures</b> *
	96 hours storage at <b>Minimum Rated Storage Temperatures</b> *
<b>Thermal Shock Test</b>	5 cycles of <b>Minimum and Maximum Operating Temperature</b> Each cycle shall be set per diagram below and is 3 hours long *
<b>Humidity Test</b>	120 Hours at +60°C ± 2°C. 90-95 % RH *
<b>Salt Spray</b>	Withstand exposure to salt spray per ASTM B117 for a period of 300 hours *
<b>Environmental Exposure</b>	Dust, water, salt, dust-control agents, moisture-control agents, detergents, degreasers, diesel fuel, hydraulic fluid per IP-68 *
<b>Vibration Test</b>	2 Hours at 1.5 mm with 10 to 55 Hz. of vibration frequency to each of 3 perpendicular direction *
<b>Drop Test</b>	Dropped naturally from 1 meter height onto the surface of 10 mm wooden board, 2 directions upper and side of the part are applied *
<b>Termination Strength</b>	Maximum of 15 pounds (6.8 Kg) load pull test
<b>* Reliability Test Performance</b> Parts should conform to original performance within ± 3 dB	
<b>Life Test</b>	<b>Intermittent</b> 1,000 hours of a 1 minute on 4 minutes off cycle at room temperature and <b>Nominal Rated Voltage</b>
	<b>Continuous</b> 250 hours continuous operation at room temperature and <b>Nominal Rated Voltage</b>
<b>Warranty</b>	For a period of one (1) year from date of shipping under normal operations conditions This warranty does not apply to products damaged through misuse, abuse, improper installation, alteration, rework, or attempt to repair



**ALARM INFORMATION MARKING**

Supplier PN	<b>CEC-532</b>	Operating Voltage / Production Code	<b>9-48 Vdc / YYWW</b>
Customer PN		Production Location	<b>Made In China</b>
Sound Type	<b>Cont. Tone</b>	Vendor	<b>Challenge Electronics</b>

**PACKAGING**

ONE TRAY:	TWO BUNDLE	MARKING	TRAY		
		<b>Bundle</b>	Dimensions	<b>X1</b>	<b>cm</b>
		Part Number		<b>Y1</b>	<b>cm</b>
		Other PN if required		<b>Z1</b>	<b>cm</b>
		Quantity	Quantity		
		Lot and/or Date Code	<b>BUNDLE</b>		
		Bundle Number		<b>X2</b>	<b>cm</b>
		<b>Shipping Box</b>	Dimensions	<b>Y2</b>	<b>cm</b>
		Part Number		<b>Z2</b>	<b>cm</b>
		Other PN (if required)			
		Quantity	<b>SHIPPING BOX</b>		
		Lot and/or Date Code		<b>X3</b>	<b>cm</b>
		PO Number	Dimensions	<b>Y3</b>	<b>cm</b>
		Net Weight		<b>Z3</b>	<b>cm</b>
		Gross Weight		Number of Bundles	
		Box Number of Boxes	Quantity		
		<b>Made in China</b>	Approximate Weight	<b>Kg.</b>	

MODEL		PCS	
QTY		KG	
N.W		KG	
SIZE			
LOT NO			

Revision	Description	By	Date
2-2013	Updated Specifications Format	Ely Zofan	4/3/2013
3-2013	Corrected Tone Description	Ely Zofan	9/17/2013