



# PRODUCT INFORMATION

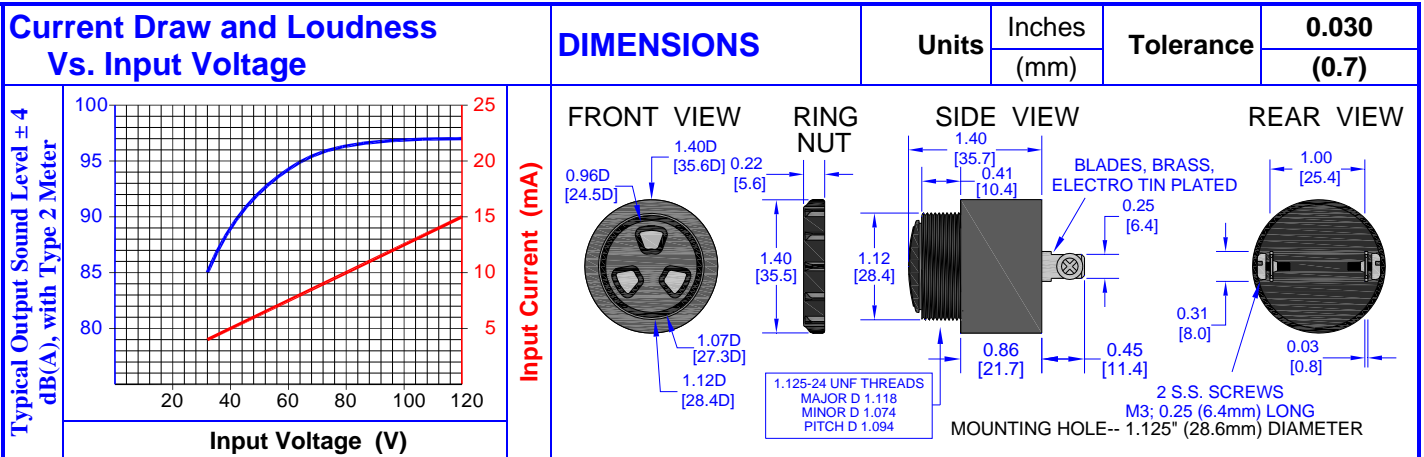
**Part #: CE-WM170ASV**

**Revision: 3-2012**



DESCRIPTION		FEATURES			
<b>Challenge Electronics WARBLE Tone, MEDIUM Loud, 30 to 120 Vac/dc, A style case Rear Panel Mounting in 1.125" (28.6 mm) Hole, Sound Pressure Level of 97 dB(A) at 117 Vac at 61 cm, 2,900 Hz. Output Frequency, S two 0.25" (6.4 mm) Blades with M3 0.25" (6.4 mm) long Stainless Steel Screws termination, Very Fast Rate 10 cycles per second, Piezoelectric Alarm, RoHS Compliant</b>		<ul style="list-style-type: none"> <li>◆ <b>Reliable Solid State Piezoelectric Technology</b></li> <li>◆ <b>Corrosion resistant Stainless Steel Diaphragm</b></li> <li>◆ <b>Flame Retardant Plastic</b></li> <li>◆ <b>Extended storage temperature</b></li> <li>◆ <b>Hermetically Sealed Alarm</b></li> <li>◆ <b>Water Proof, NEMA 3R, 4X, or 12 with Gasket (not supplied)</b></li> <li>◆ <b>RoHS, Lead Free Compliance</b></li> <li>◆ <b>ISO 9001 Certified</b></li> </ul>			
SPECIFICATIONS					
Operating Mode	Medium Loud, Very Fast Warble Tone	Pulse Rate	10 ± 10% Cycles per Second		
Operating Voltage	30 to 170 Vac/dc	Nominal Operating Voltage	117 Vac		
Operating Frequency	Center Frequency 2,900 ± 250 Hz.; cycles approximately ± 300 Hz. From Center Frequency				
Typical Loudness	At Minimum Voltage	85 ± 5 dB(A), at 30 Vac, 24 inches (61 cm), 25°C			
	At Maximum Voltage	97 ± 3 dB(A), at 117 Vac, 24 inches (61 cm), 25°C			
Typical Operating Current	At Minimum Voltage	4 mA at 30 Vac	At Maximum Voltage	15 mA at 117 Vac	
	Operating Temperature	-30°C to +65°C	Storage Temperature	-40°C to +105°C	
Surge Voltage	20% over maximum Operating Voltage for less than 5 minutes				
Materials	Alarm Case	Plastic, "A" Case, NORYL™, PX9406 or equal, flame retardant UL 94-V0, Black			
	Diaphragm	Stainless Steel 304			
	Encapsulation	Two parts epoxy resign or silicone potting, Black			
	Termination	Two, 0.25 (6.4 mm) Quick Connect Blades, 0.032Ø (0.8Ø mm) Wide, Brass, Electro-Tin plated With M3 0.25" (6.4 mm) long Stainless Steel Screws.			
Physical Dimensions	Length or Diameter (L/D)	1.4" (35.6 mm) Ø	Width (W)	Height (H)	1.4" (35.7 mm)
Approximate Weight	37 grams	Removable Washing Label	No	Compliance	RoHS
Available Options					
RELIABILITY					
Thermal Operating Temperature Test	240 hours continuous operation at Rated Power, at Maximum Rated Operating Temperature *				
	240 hours continuous operation at Rated Power, at Minimum Rated Operating Temperature *				
Thermal Storage Temperature Test	96 hours storage at Maximum Rated Storage Temperatures *				
	96 hours storage at Minimum Rated Storage Temperatures *				
Thermal Shock Test	5 cycles of Minimum and Maximum Operating Temperature Each cycle shall be set per diagram below and is 3 hours long *				
Humidity Test	120 Hours at +60°C±2°C. 90-95% RH *				
Salt Spray	Withstand exposure to salt spray per ASTM B117 for a period of 300 hours *				
Water & Dust Exposure	Withstands water submergence and dust exposure per IP-68 *				
Vibration Test	2 Hours at 1.5 mm with 10 to 55 Hz. of vibration frequency to each of 3 perpendicular direction *				
Drop Test	Dropped naturally from 1 meter height onto the surface of 10mm wooden board, 2 directions upper and side of the part are applied *				
Termination Strength	Maximum of 15 pounds (6.8 Kg) load pull test				
* Reliability Test Performance	Parts should conform to original performance within ±3dB, after 3 hours of recovery and dry period				
Life Test	Intermittent	1,000 hours of a 1 minute on 4 minutes off cycle at room temperature and maximum rated voltage			
	Continuous	250 hours continuous operation at maximum rated Voltage and maximum Operating Temperatures			
Warranty	For a period of one (1) year from date of shipping under normal operations conditions This warranty does not apply to products damaged through misuse, abuse, improper installation, alteration, rework, or attempt to repair				

The information contained herein is believed to be correct, but no guarantee or warranty, express or implied, with respect to accuracy, completeness or results is extended and no liability is assumed.  
Challenge Electronics reserves the right to make changes in any specification, data or material contained herein.



**PACKAGING**

ONE TRAY:		TWO BUNDLE		SHIPPING BOX																																	
<table border="1"> <tr> <td>MODEL</td> <td></td> <td>PCS</td> <td></td> </tr> <tr> <td>QTY</td> <td></td> <td>NW</td> <td>KG</td> </tr> <tr> <td></td> <td></td> <td>G.W</td> <td>KG</td> </tr> <tr> <td>SIZE</td> <td></td> <td></td> <td></td> </tr> <tr> <td>LOT NO</td> <td></td> <td></td> <td></td> </tr> </table>		MODEL		PCS		QTY		NW	KG			G.W	KG	SIZE				LOT NO																			
MODEL		PCS																																			
QTY		NW	KG																																		
		G.W	KG																																		
SIZE																																					
LOT NO																																					
<table border="1"> <tr> <th colspan="2">Tray</th> </tr> <tr> <td>Dimensions</td> <td>X1 34.7 cm Y1 34.7 cm Z1 21.2 cm</td> </tr> <tr> <td>Quantity</td> <td>42</td> </tr> <tr> <th colspan="2">SHIPPING BOX</th> </tr> <tr> <td>Dimensions</td> <td>X2 35 cm Y2 35 cm Z2 22.5 cm</td> </tr> <tr> <td>Part Number</td> <td></td> </tr> <tr> <td>Customer PN (if required)</td> <td></td> </tr> <tr> <td>Number of Trays</td> <td></td> </tr> <tr> <td>Quantity</td> <td>250</td> </tr> <tr> <td>Lot and/or Date Code</td> <td></td> </tr> <tr> <td>PO Number</td> <td></td> </tr> <tr> <td>Net Weight</td> <td></td> </tr> <tr> <td>Gross Weight</td> <td></td> </tr> <tr> <td>Box Number</td> <td></td> </tr> <tr> <td>of Number of Boxes</td> <td></td> </tr> <tr> <td>Country of Origin</td> <td>Made in China</td> </tr> </table>		Tray		Dimensions	X1 34.7 cm Y1 34.7 cm Z1 21.2 cm	Quantity	42	SHIPPING BOX		Dimensions	X2 35 cm Y2 35 cm Z2 22.5 cm	Part Number		Customer PN (if required)		Number of Trays		Quantity	250	Lot and/or Date Code		PO Number		Net Weight		Gross Weight		Box Number		of Number of Boxes		Country of Origin	Made in China				
Tray																																					
Dimensions	X1 34.7 cm Y1 34.7 cm Z1 21.2 cm																																				
Quantity	42																																				
SHIPPING BOX																																					
Dimensions	X2 35 cm Y2 35 cm Z2 22.5 cm																																				
Part Number																																					
Customer PN (if required)																																					
Number of Trays																																					
Quantity	250																																				
Lot and/or Date Code																																					
PO Number																																					
Net Weight																																					
Gross Weight																																					
Box Number																																					
of Number of Boxes																																					
Country of Origin	Made in China																																				