



Challenge Electronics
95 East Jefryn Boulevard
Deer Park, NY 11729

Tel: 1-800-722-8197
1-631-595-2217
Fax: 1-631-586-5899

EMAIL: SALES@CHALLELEC.COM
WEB: WWW.CHALLEGELECTRONICS.COM



PRODUCT INFORMATION

PART # CE-WM201AVSF

Revision: 0-2007

DESCRIPTION:

The **CE-WM201AVSF** is a FAST WARBLE Tone, MEDIUM Loud, 40 to 120Vac Piezoelectric alarm with a mechanical Volume Control. Panel Mounted with a plastic ring nut. Terminated with two 0.25" (6.4 mm) Blades with 6X32 0.25" (6.4 mm) long Stainless Steel Screws.

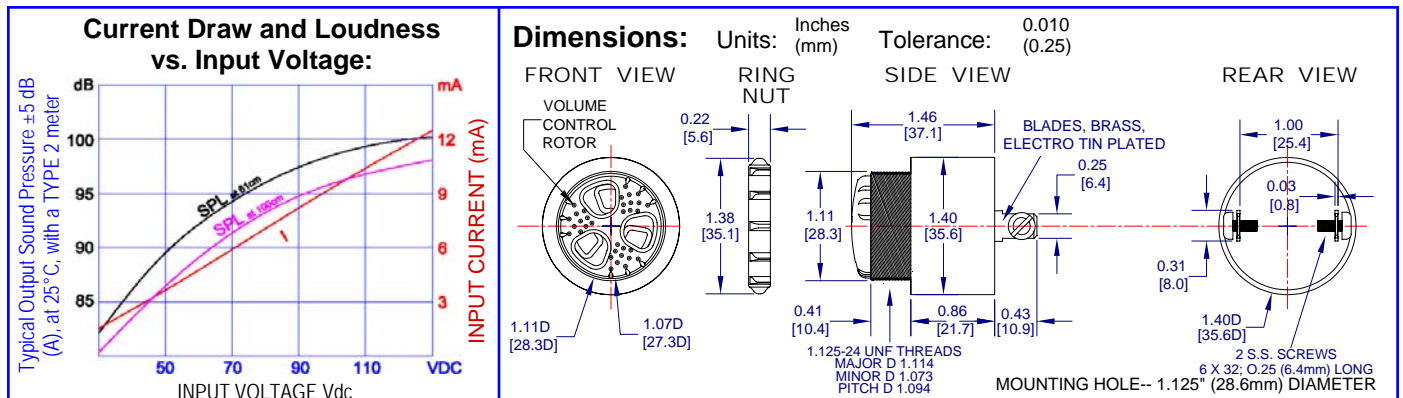
FEATURES:

- ◆ Reliable Solid State Piezoelectric Technology.
- ◆ Corrosion resistant Stainless Steel Diaphragm.
- ◆ RoHS Compliance.
- ◆ EMC/EMI/EMS/RF Compliance.
- ◆ Flame Retardant Plastic.
- ◆ Extended storage temperature.
- ◆ Hermetically Sealed Alarm.
- ◆ ISO 9001 Certified.



SPECIFICATIONS:

Operating Mode:	Medium Loud, Warble Tone.	Warble Rate:	3±10% Cycles per Second.
Operating Voltage:	40 to 120 Vac.	Nominal Operating Voltage:	117 Vac
Operating Frequency:	2900±250 Hz.		
Typical Loudness:	At Minimum Voltage:	85±5dB(A), at 40 Vac, at 24 inches (61cm), at 25°C.	
	At Maximum Voltage:	97±3dB(A), at 117 Vac, at 24 inches (61cm), at 25°C.	
Typical Operating Current:	At Minimum Voltage:	5mA at 40 Vac.	At Maximum Voltage: 20 mA at 117Vac.
	Operating Temperature:	-30°C to +65°C.	Storage Temperature: -40°C to +100°C.
Surge Voltage:	20% over maximum rated voltage for less than 5 minutes.		
Volume Control:	Maximum Sound Pressure Level can be restricted up to 20 dB from maximum output. (Note, The Volume Control Rotor may reduce maximum loudness). To install , simply, push the ROTOR onto the front of alarm until snapped. To attenuate sound , while alarm is on rotate the ROTOR until maximum desired sound is achieved.		
RoHS Compliance:	Does not contain: lead, mercury, cadmium, hexavalent chromium, polybrominated biphenyls (PBB) or polybrominated diphenyl ethers (PBDE). <i>Note, Piezoelectric Ceramic Disc is made with over 60% Lead Oxide and is exempt under Article 5 (b) and Article 251 section 11 of the Treaty in the light of the joint text approved by the Conciliation Committee of THE EUROPEAN PARLIAMENT AND THE COUNCIL OF THE EUROPEAN UNION, on 8 November 2002.</i>		
Termination :	Description:	2 0.25 (6.4 mm) Quick Connect Blades, 0.032Ø (0.8Ø mm) Wide, brass, Electro-Tin plated. With 6X32 0.25" (6.4 mm) long Stainless Steel Screws.	
	Termination Strength:	Maximum of 15 pounds (6.8 Kg) load pull test.	
Construction Materials:	Case:	Panel mounted, A Case, plastic, NORYL™, PX9406 or equal, flame retardant UL 94-V0, Black.	
	Diaphragm:	Stainless Steel 304.	
	Encapsulation:	2 parts epoxy resin or silicone potting, Black.	
Weight (Approximately)	32 gr.	Color:	Black
	Reliability:	Humidity:	+60°C±2°C. 90-95%RH, 120 hours.
Thermal Shock:		-30°C±2°C 1 hr →+20°C 5 min. →+65°C±2°C 1 hr. →+20°C 5 min. 5 cycles.	
Salt Spray:		Withstand exposure to salt spray per ASTM B117 for a period of 300 hours with no decrease in sound output.	
Vibration:		1.5mm with 10 to 50Hz. Of vibration frequency to each of 3 perpendicular direction for 2 hours.	
Shock:		980 m/s² shock for each mutually perpendicular directions, half sine wave, 3 times each.	
Drop Test:		Dropped naturally from 700mm height onto the surface of 10mm wooden board. 2 directions— upper and side of the part are applied.	
Life Test:	At maximum voltage in room temperature, 1 cycle = 1 min. ON 4 min OFF, continuously for 1000 hours.		
Warranty:	For a period of one (1) year from date of manufacture under normal operating conditions.		



The information contained herein is believed to be correct, but no guarantee or warranty, express or implied, with respect to accuracy, completeness or results is extended and no liability is assumed. Challenge Electronics reserves the right to make changes in any specification, data or material contained herein.

Copyright © 2007 Challenge Electronics