



Challenge Electronics
95 East Jefryn Boulevard
Deer Park, NY 11729

Tel: 1-800-722-8197
1-631-595-2217
Fax: 1-631-586-5899

EMAIL: SALES@CHALLELEC.COM
WEB: WWW.CHALLEEELECTRONICS.COM



PRODUCT INFORMATION

PART # CE-WM550AQF

Revision: 0-2007

DESCRIPTION:

The **CE-WM550AQF** is a FAST WARBLE Tone, MEDIUM Loud, 15 to 50Vac/dc Piezo-electric Alarm. Panel Mounted with a plastic ring nut. Terminated with two 0.25" Quick Connect Blades.

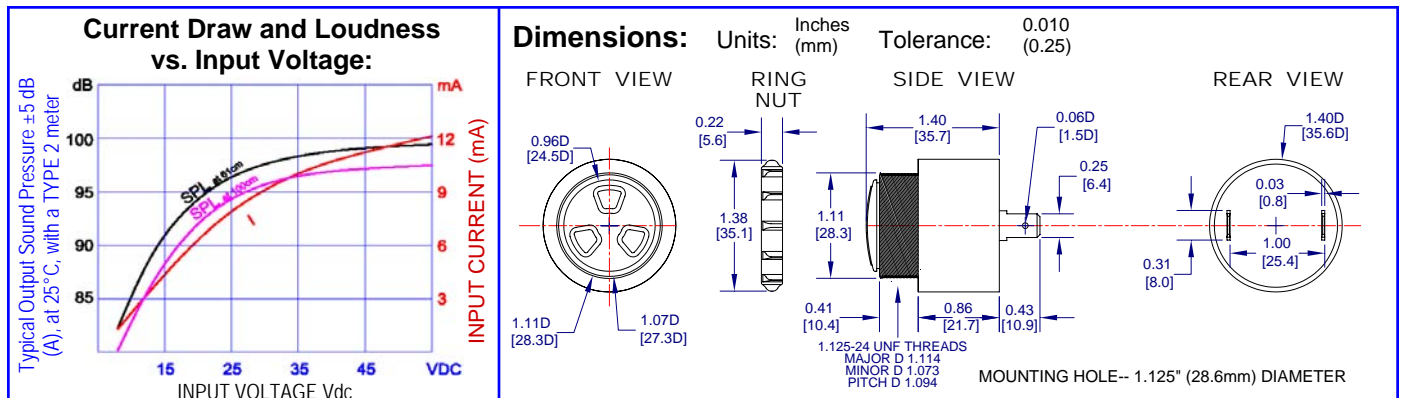
FEATURES:

- ◆ Reliable Solid State Piezoelectric Technology.
- ◆ Corrosion resistant Stainless Steel Diaphragm.
- ◆ RoHS Compliance.
- ◆ EMC/EMI/EMS/RF Compliance.
- ◆ Flame Retardant Plastic.
- ◆ Extended storage temperature.
- ◆ Hermetically Sealed Alarm.
- ◆ ISO 9001 Certified.



SPECIFICATIONS:

Operating Mode:	Medium Loud, Warble Tone.	Warble Rate:	3±10% Cycles per Second.
Operating Voltage:	15 to 50 Vac/dc.	Nominal Operating Voltage:	36 Vac/dc
Operating Frequency:	2900±250 Hz.		
Typical Loudness:	At Minimum Voltage:	85±5dB(A), at 15 Vdc, at 24 inches (61cm), at 25°C.	
	At Maximum Voltage:	97±3dB(A), at 48 Vdc, at 24 inches (61cm), at 25°C.	
Typical Operating Current:	At Minimum Voltage:	5mA at 15 Vdc.	At Maximum Voltage: 20 mA at 48Vdc.
	Operating Temperature:	-30°C to +65°C.	Storage Temperature: -40°C to +100°C.
Surge Voltage:	20% over maximum rated voltage for less than 5 minutes.		
RoHS Compliance:	Does not contain: lead, mercury, cadmium, hexavalent chromium, polybrominated biphenyls (PBB) or polybrominated diphenyl ethers (PBDE). <i>Note. Piezoelectric Ceramic Disc is made with over 60% Lead Oxide and is exempt under Article 5 (b) and Article 251 section 11 of the Treaty in the light of the joint text approved by the Conciliation Committee of THE EUROPEAN PARLIAMENT AND THE COUNCIL OF THE EUROPEAN UNION, on 8 November 2002.</i>		
Termination :	Description:	2 0.25 (6.4 mm) Quick Connect Blades, 0.032Ø (0.8Ømm) wide, Brass, Electro-Tin plated.	
	Termination Strength:	Maximum of 15 pounds (6.8 Kg) load pull test.	
Construction Materials:	Case:	Panel mounted, A Case, plastic, NORYL™, PX9406 or equal, flame retardant UL 94-V0, Black.	
	Diaphragm:	Stainless Steel 304.	
	Encapsulation:	2 parts epoxy resin or silicone potting, Black.	
Weight (Approximately)	Humidity:	32 gr.	Color: Black
	Thermal Shock:	+60°C±2°C. 90-95%RH, 120 hours.	
Reliability:	Salt Spray:	-30°C±2°C 1 hr →+20°C 5 min. →+65°C±2°C 1 hr. →+20°C 5 min. 5 cycles.	
	Vibration:	Withstand exposure to salt spray per ASTM B117 for a period of 300 hours with no decrease in sound output.	
	Shock:	1.5mm with 10 to 50Hz. Of vibration frequency to each of 3 perpendicular direction for 2 hours.	
	Drop Test:	980 m/s ² shock for each mutually perpendicular directions, half sine wave, 3 times each.	
	Life Test:	Dropped naturally from 700mm height onto the surface of 10mm wooden board. 2 directions— upper and side of the part are applied.	
Warranty:	At maximum voltage in room temperature, 1 cycle = 1 min. ON 4 min OFF, continuously for 1000 hours.		
	For a period of one (1) year from date of manufacture under normal operating conditions.		



The information contained herein is believed to be correct, but no guarantee or warranty, express or implied, with respect to accuracy, completeness or results is extended and no liability is assumed. Challenge Electronics reserves the right to make changes in any specification, data or material contained herein.

Copyright © 2007 Challenge Electronics