



**PRODUCT INFORMATION**



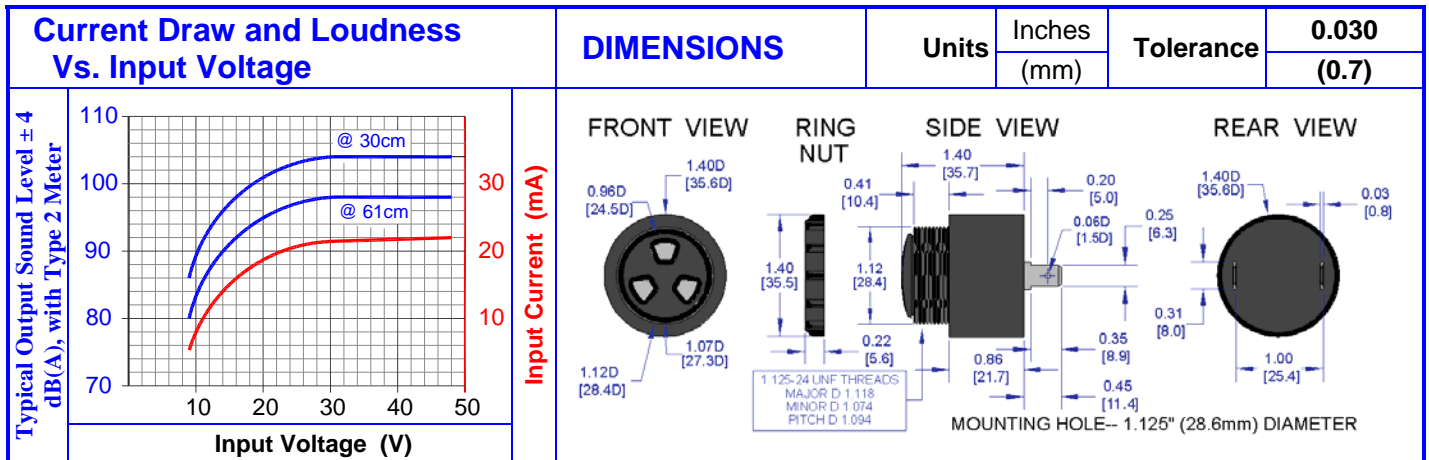
**Part #:**

**CE-WM550AQV**

**Revision: 4-2017**



DESCRIPTION		FEATURES			
<p><b>Challenge Electronics WARBLE Tone, MEDIUM Loud, 15 to 50 Vac/dc, A style case Rear Panel Mounting in 1.125" (28.6 mm) Hole, Sound Pressure Level of 98 dB(A) at 50 Vac at 61 cm, 2,900 Hz. Output Frequency, Quick Connect Blades termination, Very Fast Rate 10 cycles per second, Piezoelectric Alarm, RoHS Compliant</b></p>		<ul style="list-style-type: none"> <li>◆ <b>Reliable Solid State Piezoelectric Technology</b></li> <li>◆ <b>Corrosion resistant Stainless Steel Diaphragm</b></li> <li>◆ <b>Flame Retardant Plastic</b></li> <li>◆ <b>Extended storage temperature</b></li> <li>◆ <b>Hermetically Sealed Alarm</b></li> <li>◆ <b>Water Proof, NEMA 3R, 4X, or 12 with Gasket (not supplied)</b></li> <li>◆ <b>RoHS, Lead Free Compliance</b></li> <li>◆ <b>ISO 9001 Certified</b></li> </ul>			
SPECIFICATIONS					
<b>Operating Mode</b>	<b>Medium Loud, Very Fast Warble Tone</b>	<b>Pulse Rate</b>	<b>10 ± 10% Cycles per Second</b>		
<b>Operating Voltage</b>	<b>15 to 50 Vac/dc</b>	<b>Nominal Operating Voltage</b>	<b>36 and 48 Vac</b>		
<b>Operating Frequency</b>	<b>Center Frequency 2,900 ± 250 Hz.; cycles approximately ± 300 Hz. From Center Frequency</b>				
<b>Typical Loudness</b>	<b>At Minimum Voltage</b>	<b>90 ± 5 dB(A), at 15 Vac, 24 inches (61 cm), 25°C</b>			
	<b>At Maximum Voltage</b>	<b>98 ± 3 dB(A), at 50 Vac, 24 inches (61 cm), 25°C</b>			
<b>Typical Operating Current</b>	<b>At Minimum Voltage</b>	<b>15 mA at 15 Vac</b>	<b>At Maximum Voltage</b>	<b>25 mA at 50 Vac</b>	
<b>Operating Temperature</b>	<b>-30°C to +65°C</b>		<b>Storage Temperature</b>	<b>-40°C to +105°C</b>	
<b>Surge Voltage</b>	<b>20% over maximum Operating Voltage for less than 5 minutes</b>				
<b>Materials</b>	<b>Alarm Case</b>	<b>Plastic, "A" Case, NORYL™, PX9406 or equal, flame retardant UL 94-V0, Black</b>			
	<b>Diaphragm</b>	<b>Stainless Steel 304</b>			
	<b>Encapsulation</b>	<b>Two parts epoxy resign or silicone potting, Black</b>			
	<b>Termination</b>	<b>Two, 0.25 (6.4 mm) Quick Connect Blades, 0.032Ø (0.8Ø mm) Wide, Brass, Electro-Tin plated</b>			
<b>Physical Dimensions</b>	<b>Length or Diameter (L/D)</b>	<b>1.46" (37.1 mm) Ø</b>	<b>Width (W)</b>	<b>Height (H)</b>	<b>1.4" (35.7 mm)</b>
<b>Approximate Weight</b>	<b>35 grams</b>	<b>Removable Washing Label</b>	<b>No</b>	<b>Compliance</b>	<b>RoHS</b>
<b>Available Options</b>					
RELIABILITY					
<b>Thermal Operating Temperature Test</b>	<b>240 hours</b> continuous operation <b>at Rated Power</b> , at <b>Maximum Rated Operating Temperature</b> *				
	<b>240 hours</b> continuous operation <b>at Rated Power</b> , at <b>Minimum Rated Operating Temperature</b> *				
<b>Thermal Storage Temperature Test</b>	<b>96 hours</b> storage at <b>Maximum Rated Storage Temperatures</b> *				
	<b>96 hours</b> storage at <b>Minimum Rated Storage Temperatures</b> *				
<b>Thermal Shock Test</b>	<p><b>5 cycles of Minimum and Maximum Operating Temperature</b> Each cycle shall be set per diagram below and is 3 hours long *</p>				<p><b>SINGLE CYCLE</b></p> <p>The graph shows a temperature profile starting at 25°C, rising to 90°C, staying at 90°C for 120 minutes, and then falling back to 25°C. The x-axis is labeled 'Minutes' with markers at 15, 30, 45, 60, 90, 120, 150, 180, and 210. The y-axis is labeled 'Maximum °C' and 'Minimum °C'.</p>
<b>Humidity Test</b>	<b>120 Hours</b> at +60°C±2°C. 90-95% RH *				
<b>Salt Spray</b>	Withstand exposure to salt spray per ASTM B117 for a period of <b>300 hours</b> *				
<b>Water &amp; Dust Exposure</b>	Withstands water submergence and dust exposure per IP-68 *				
<b>Vibration Test</b>	<b>2 Hours</b> at 1.5 mm with 10 to 55 Hz. of vibration frequency to each of 3 perpendicular direction *				
<b>Drop Test</b>	Dropped naturally from 1 meter height onto the surface of 10mm wooden board, 2 directions upper and side of the part are applied *				
<b>Termination Strength</b>	Maximum of 15 pounds (6.8 Kg) load pull test				
<b>* Reliability Test Performance</b>	<b>Parts should conform to original performance within ±3dB, after 3 hours of recovery and dry period</b>				
<b>Life Test</b>	<b>Intermittent</b>	1,000 hours of a 1 minute on 4 minutes off cycle at room temperature and <b>maximum rated voltage</b>			
	<b>Continuous</b>	250 hours continuous operation at <b>maximum rated Voltage</b> and maximum Operating Temperatures			
<b>Warranty</b>	For a period of one (1) year from date of shipping under normal operations conditions This warranty does not apply to products damaged through misuse, abuse, improper installation, alteration, rework, or attempt to repair				



### PACKAGING

**ONE TRAY:**

**TWO BUNDLE**

**ONE BUNDLE:**

**TOP COVER**

MODEL	
QTY	PCS
N.W	KG
G.W	KG
SIZE	
LOT NO	

**SHIPPING BOX**

ITEM:  
C/NO:  
MADE IN CHINA

MARKING	TRAY	
<b>Bundle</b>	Dimensions	X1 34.7 cm
Customer PN		Y1 34.7 cm
Other PN if required		Z1 21.2 cm
Quantity	Quantity	42
Lot and/or Date Code	BUNDLE	
Bundle Number	Dimensions	X2 cm
<b>Shipping Box</b>		Y2 cm
Customer Part Number	Z2 cm	
Other PN (if required)	Quantity	
Quantity	SHIPPING BOX	
Lot and/or Date Code	Dimensions	X3 35 cm
PO Number		Y3 35 cm
Net Weight		Z3 22.5 cm
Gross Weight	Number of Bundles	1
Box Number	Quantity	250
of Number of Boxes	Approximate Weight	9 Kg.
<b>Made in China</b>		

Revision	Description	By	Date
4-2017	Updated mechanical drawing. Changed terminal height to 11.4 mm.	JL	7-7-2017

The information contained herein is believed to be correct, but no guarantee or warranty, express or implied, with respect to accuracy, completeness or results is extended and no liability is assumed.  
 Challenge Electronics reserves the right to make changes in any specification, data or material contained herein.