



**Challenge Electronics**  
95 East Jefryn Boulevard  
Deer Park, NY 11729

**Tel: 1-800-722-8197**  
**1-631-595-2217**  
**Fax: 1-631-667-5484**

**EMAIL: SALES@CHALLELEC.COM**  
**WEB: WWW.CHALLEGELECTRONICS.COM**

# PRODUCT INFORMATION

**Part #: CE-WM948AQF**

**Revision: 3-2012**

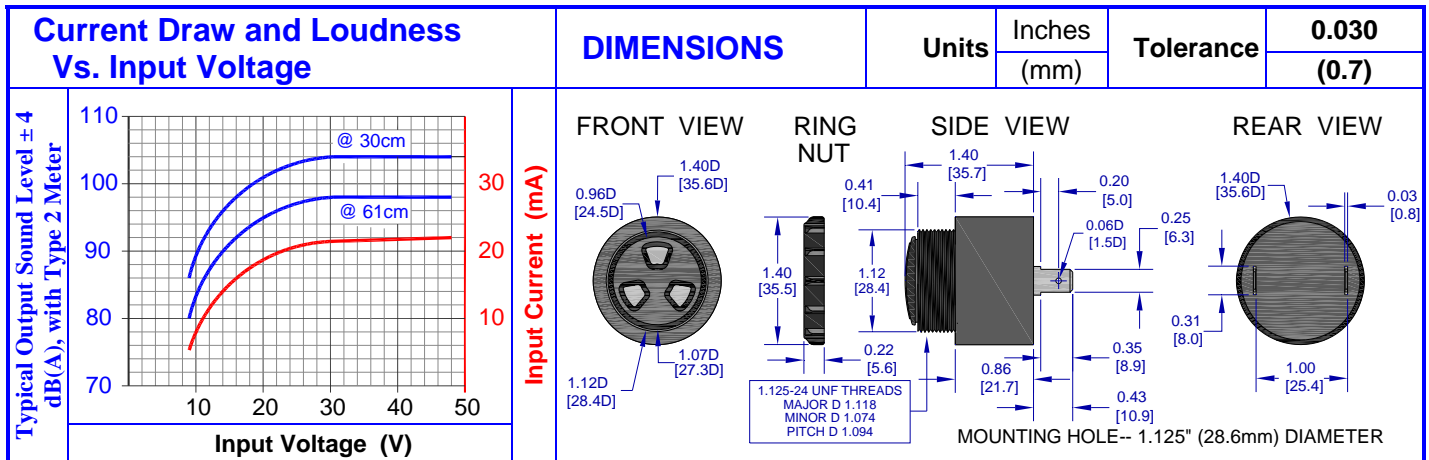


DESCRIPTION		FEATURES			
<b>Challenge Electronics WAEBLE Tone, MEDIUM Loud, 9 to 48 Vdc, A style case Rear Panel Mounting in 1.125" (28.6 mm) Hole, Sound Pressure Level of 98 dB(A) at 48 Vdc at 61 cm, 2,900 Hz. Output Frequency, Quick Connect Blades termination, Fast Rate 3 cycles per second, Piezoelectric Alarm, RoHS Compliant</b>		<ul style="list-style-type: none"> <li>◆ <b>Reliable Solid State Piezoelectric Technology</b></li> <li>◆ <b>Corrosion resistant Stainless Steel Diaphragm</b></li> <li>◆ <b>Flame Retardant Plastic</b></li> <li>◆ <b>Extended storage temperature</b></li> <li>◆ <b>Hermetically Sealed Alarm</b></li> <li>◆ <b>Water Proof, NEMA 3R, 4X, or 12 with Gasket (not supplied)</b></li> <li>◆ <b>RoHS, Lead Free Compliance</b></li> <li>◆ <b>ISO 9001 Certified</b></li> </ul>			
SPECIFICATIONS					
<b>Operating Mode</b>	<b>Medium Loud, Fast Warble Tone</b>		<b>Pulse Rate</b>	<b>3 ± 10% Cycles per Second</b>	
<b>Operating Voltage</b>	<b>9 to 48 Vdc</b>		<b>Nominal Operating Voltage</b>	<b>36 and 48 Vdc</b>	
<b>Operating Frequency</b>	<b>Center Frequency 2,900 ± 250 Hz.; cycles approximately ± 300 Hz. From Center Frequency</b>				
<b>Typical Loudness</b>	<b>At Minimum Voltage</b>	<b>88 ± 5 dB(A), at 9 Vdc, 24 inches (61 cm), 25°C</b>			
	<b>At Maximum Voltage</b>	<b>98 ± 3 dB(A), at 48 Vdc, 24 inches (61 cm), 25°C</b>			
<b>Typical Operating Current</b>	<b>At Minimum Voltage</b>	<b>10 mA at 9 Vdc</b>	<b>At Maximum Voltage</b>	<b>25 mA at 48 Vdc</b>	
<b>Operating Temperature</b>	<b>-30°C to +65°C</b>		<b>Storage Temperature</b>	<b>-40°C to +105°C</b>	
<b>Surge Voltage</b>	<b>20% over maximum Operating Voltage for less than 5 minutes</b>				
<b>Materials</b>	<b>Alarm Case</b>	<b>Plastic, "A" Case, NORYL™, PX9406 or equal, flame retardant UL 94-V0, Black</b>			
	<b>Diaphragm</b>	<b>Stainless Steel 304</b>			
	<b>Encapsulation</b>	<b>Two parts epoxy resign or silicone potting, Black</b>			
	<b>Termination</b>	<b>Two, 0.25 (6.4 mm) Quick Connect Blades, 0.032Ø (0.8Ø mm) Wide, Brass, Electro-Tin plated</b>			
<b>Physical Dimensions</b>	<b>Length or Diameter (L /D)</b>	<b>1.46" (37.1 mm) Ø</b>	<b>Width (W)</b>	<b>Height (H)</b>	<b>1.4" (35.7 mm)</b>
<b>Approximate Weight</b>	<b>35 grams</b>	<b>Removable Washing Label</b>	<b>No</b>	<b>Compliance</b>	<b>RoHS</b>
<b>Available Options</b>					
RELIABILITY					
<b>Thermal Operating Temperature Test</b>	<b>240 hours</b> continuous operation <b>at Rated Power</b> , at <b>Maximum Rated Operating Temperature</b> *				
	<b>240 hours</b> continuous operation <b>at Rated Power</b> , at <b>Minimum Rated Operating Temperature</b> *				
<b>Thermal Storage Temperature Test</b>	<b>96 hours</b> storage at <b>Maximum Rated Storage Temperatures</b> *				
	<b>96 hours</b> storage at <b>Minimum Rated Storage Temperatures</b> *				
<b>Thermal Shock Test</b>	<b>5 cycles of Minimum and Maximum Operating Temperature</b> Each cycle shall be set per diagram below and is 3 hours long *				
<b>Humidity Test</b>	<b>120 Hours</b> at +60°C±2°C. 90-95% RH *				
<b>Salt Spray</b>	Withstand exposure to salt spray per ASTM B117 for a period of <b>300 hours</b> *				
<b>Water &amp; Dust Exposure</b>	Withstands water submergence and dust exposure per IP-68 *				
<b>Vibration Test</b>	<b>2 Hours</b> at 1.5 mm with 10 to 55 Hz. of vibration frequency to each of 3 perpendicular direction *				
<b>Drop Test</b>	Dropped naturally from 1 meter height onto the surface of 10mm wooden board, 2 directions upper and side of the part are applied *				
<b>Termination Strength</b>	Maximum of 15 pounds (6.8 Kg) load pull test				
<b>* Reliability Test Performance</b>	<b>Parts should conform to original performance within ±3dB, after 3 hours of recovery and dry period</b>				
<b>Life Test</b>	<b>Intermittent</b>	1,000 hours of a 1 minute on 4 minutes off cycle at room temperature and <b>maximum rated voltage</b>			
	<b>Continuous</b>	250 hours continuous operation at <b>maximum rated Voltage</b> and maximum Operating Temperatures			
<b>Warranty</b>	For a period of one (1) year from date of shipping under normal operations conditions This warranty does not apply to products damaged through misuse, abuse, improper installation, alteration, rework, or attempt to repair				

The information contained herein is believed to be correct, but no guarantee or warranty, express or implied, with respect to accuracy, completeness or results is extended and no liability is assumed.

Challenge Electronics reserves the right to make changes in any specification, data or material contained herein.

Copyright © 2012 Challenge Electronics



PACKAGING		MARKING		TRAY	
ONE TRAY:	TWO BUNDLE	Bundle		X1	34.7 cm
		Customer PN	Dimensions	Y1	34.7 cm
ONE BUNDLE:	SHIPPING BOX	Other PN if required		Z1	21.2 cm
		Quantity	Quantity	42	
TOP COVER		Lot and/or Date Code	<b>BUNDLE</b>		
		Bundle Number		X2	cm
		Shipping Box	Dimensions	Y2	cm
		Customer Part Number		Z2	cm
		Other PN (if required)	Quantity		
		Quantity	<b>SHIPPING BOX</b>		
		Lot and/or Date Code		X3	35 cm
		PO Number	Dimensions	Y3	35 cm
		Net Weight		Z3	22.5 cm
		Gross Weighjt	Number of Bundles	1	
		Box Number	Quantity	250	
		of Number of Boxes	Approximate Weight	9 Kg.	
		<b>Made in China</b>			

The information contained herein is believed to be correct, but no guarantee or warranty, express or implied, with respect to accuracy, completeness or results is extended and no liability is assumed.  
 Challenge Electronics reserves the right to make changes in any specification, data or material contained herein.