



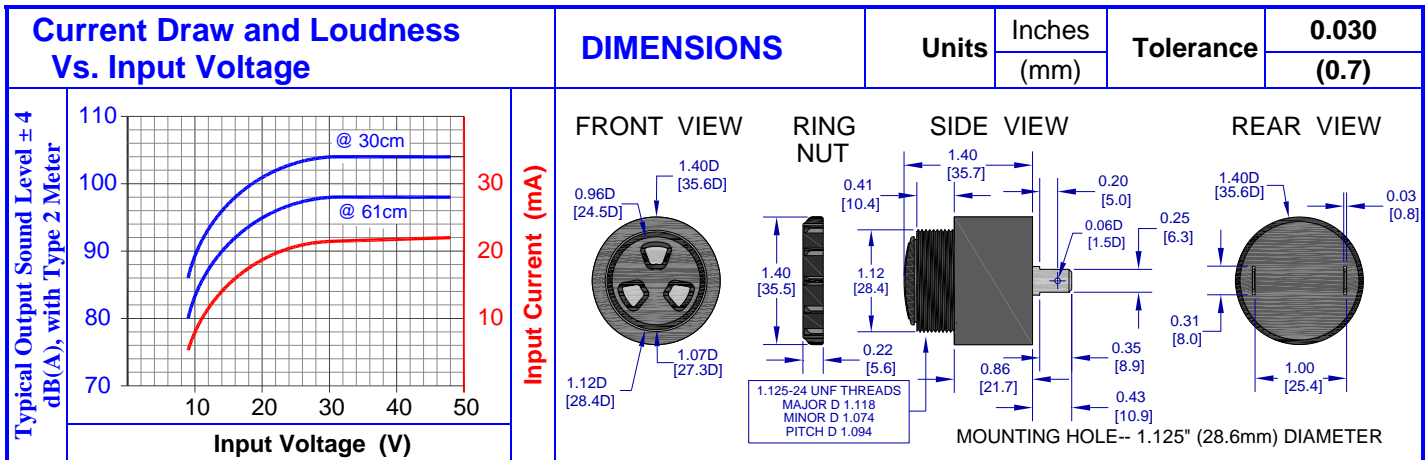
# PRODUCT INFORMATION

Part #: **CE-WM948AQS**

Revision: 3-2012



DESCRIPTION		FEATURES			
<b>Challenge Electronics WARBLE Tone, MEDIUM Loud, 9 to 48 Vdc, A style case</b> Rear Panel Mounting in 1.125" (28.6 mm) Hole, Sound Pressure Level of <b>98 dB(A)</b> at 48 Vdc at 61 cm, <b>2,900 Hz.</b> Output Frequency, <b>Quick Connect Blades</b> termination, <b>Slow Rate 1</b> cycle per second, Piezoelectric Alarm, <b>RoHS</b> Compliant		<ul style="list-style-type: none"> <li>◆ <b>Reliable Solid State Piezoelectric Technology</b></li> <li>◆ <b>Corrosion resistant Stainless Steel Diaphragm</b></li> <li>◆ <b>Flame Retardant Plastic</b></li> <li>◆ <b>Extended storage temperature</b></li> <li>◆ <b>Hermetically Sealed Alarm</b></li> <li>◆ <b>Water Proof, NEMA 3R, 4X, or 12 with Gasket (not supplied)</b></li> <li>◆ <b>RoHS, Lead Free Compliance</b></li> <li>◆ <b>ISO 9001 Certified</b></li> </ul>			
SPECIFICATIONS					
Operating Mode	Medium Loud, Slow Warble Tone		Pulse Rate	1 ± 10% Cycle per Second	
Operating Voltage	9 to 48 Vdc		Nominal Operating Voltage	36 and 48 Vdc	
Operating Frequency	Center Frequency 2,900 ± 250 Hz.; cycles approximately ± 300 Hz. From Center Frequency				
Typical Loudness	At Minimum Voltage	88 ± 5 dB(A), at 9 Vdc, 24 inches (61 cm), 25°C			
	At Maximum Voltage	98 ± 3 dB(A), at 48 Vdc, 24 inches (61 cm), 25°C			
Typical Operating Current	At Minimum Voltage	10 mA at 9 Vdc	At Maximum Voltage	25 mA at 48 Vdc	
	Operating Temperature	-30°C to +65°C		Storage Temperature	-40°C to +105°C
Surge Voltage	20% over maximum Operating Voltage for less than 5 minutes				
Materials	Alarm Case	Plastic, "A" Case, NORYL™, PX9406 or equal, flame retardant UL 94-V0, Black			
	Diaphragm	Stainless Steel 304			
	Encapsulation	Two parts epoxy resign or silicone potting, Black			
	Termination	Two, 0.25 (6.4 mm) Quick Connect Blades, 0.032Ø (0.8Ø mm) Wide, Brass, Electro-Tin plated			
Physical Dimensions	Length or Diameter (L/D)	1.46" (37.1 mm) Ø	Width (W)	Height (H)	1.4" (35.7 mm)
Approximate Weight	35 grams	Removable Washing Label	No	Compliance	RoHS
Available Options					
RELIABILITY					
Thermal Operating Temperature Test	240 hours continuous operation <b>at Rated Power</b> , at <b>Maximum Rated Operating Temperature</b> *				
Thermal Storage Temperature Test	240 hours continuous operation <b>at Rated Power</b> , at <b>Minimum Rated Operating Temperature</b> *				
Thermal Shock Test	96 hours storage at <b>Maximum Rated Storage Temperatures</b> *				
	96 hours storage at <b>Minimum Rated Storage Temperatures</b> *				
Thermal Shock Test	5 cycles of <b>Minimum and Maximum Operating Temperature</b> Each cycle shall be set per diagram below and is 3 hours long *		<p><b>SINGLE CYCLE</b></p> <p>The graph shows a temperature profile over 120 minutes. It starts at 25°C, ramps up to a peak temperature (Maximum °C) at 120 minutes, stays at that peak for a short duration, and then ramps down back to 25°C. The x-axis is labeled 'Minutes' with markers at 15, 30, 45, 60, 90, 120, 150, 180, and 210. The y-axis is labeled 'Maximum °C' and 'Minimum °C'.</p>		
Humidity Test	120 Hours at +60°C±2°C. 90-95% RH *				
Salt Spray	Withstand exposure to salt spray per ASTM B117 for a period of 300 hours *				
Water & Dust Exposure	Withstands water submergence and dust exposure per IP-68 *				
Vibration Test	2 Hours at 1.5 mm with 10 to 55 Hz. of vibration frequency to each of 3 perpendicular direction *				
Drop Test	Dropped naturally from 1 meter height onto the surface of 10mm wooden board, 2 directions upper and side of the part are applied *				
Termination Strength	Maximum of 15 pounds (6.8 Kg) load pull test				
* Reliability Test Performance	Parts should conform to original performance within ±3dB, after 3 hours of recovery and dry period				
Life Test	Intermittent	1,000 hours of a 1 minute on 4 minutes off cycle at room temperature and <b>maximum rated voltage</b>			
	Continuous	250 hours continuous operation at <b>maximum rated Voltage</b> and maximum Operating Temperatures			
Warranty	For a period of one (1) year from date of shipping under normal operations conditions This warranty does not apply to products damaged through misuse, abuse, improper installation, alteration, rework, or attempt to repair				



PACKAGING		MARKING	TRAY	
<b>ONE TRAY:</b>	<b>TWO BUNDLE</b>	<b>Bundle</b>		<b>X1 34.7 cm</b>
		Customer PN	Dimensions	<b>Y1 34.7 cm</b>
<b>ONE BUNDLE:</b>	<b>SHIPPING BOX</b>	Other PN if required		<b>Z1 21.2 cm</b>
		Quantity	Quantity	<b>42</b>
<b>TOP COVER</b>		Lot and/or Date Code	<b>BUNDLE</b>	
		Bundle Number	<b>X2 cm</b>	
		Shipping Box	Dimensions	<b>Y2 cm</b>
		Customer Part Number		<b>Z2 cm</b>
		Other PN (if required)	Quantity	
		Quantity	<b>SHIPPING BOX</b>	
		Lot and/or Date Code	<b>X3 35 cm</b>	
		PO Number	Dimensions	<b>Y3 35 cm</b>
		Net Weight		<b>Z3 22.5 cm</b>
		Gross Weighjt	Number of Bundles	<b>1</b>
		Box Number	Quantity	<b>250</b>
		of Number of Boxes	Approximate Weight	<b>9 Kg.</b>
		<b>Made in China</b>		

The information contained herein is believed to be correct, but no guarantee or warranty, express or implied, with respect to accuracy, completeness or results is extended and no liability is assumed.  
 Challenge Electronics reserves the right to make changes in any specification, data or material contained herein.