



Challenge Electronics
95 East Jefryn Boulevard
Deer Park, NY 11729

Tel: 1-800-722-8197
1-631-595-2217
Fax: 1-631-667-5484

EMAIL: SALES@CHALLELEC.COM
WEB: WWW.CHALLEGELECTRONICS.COM



PRODUCT INFORMATION

Part #: **CE-WM948AVQS**

Revision: 3-2012

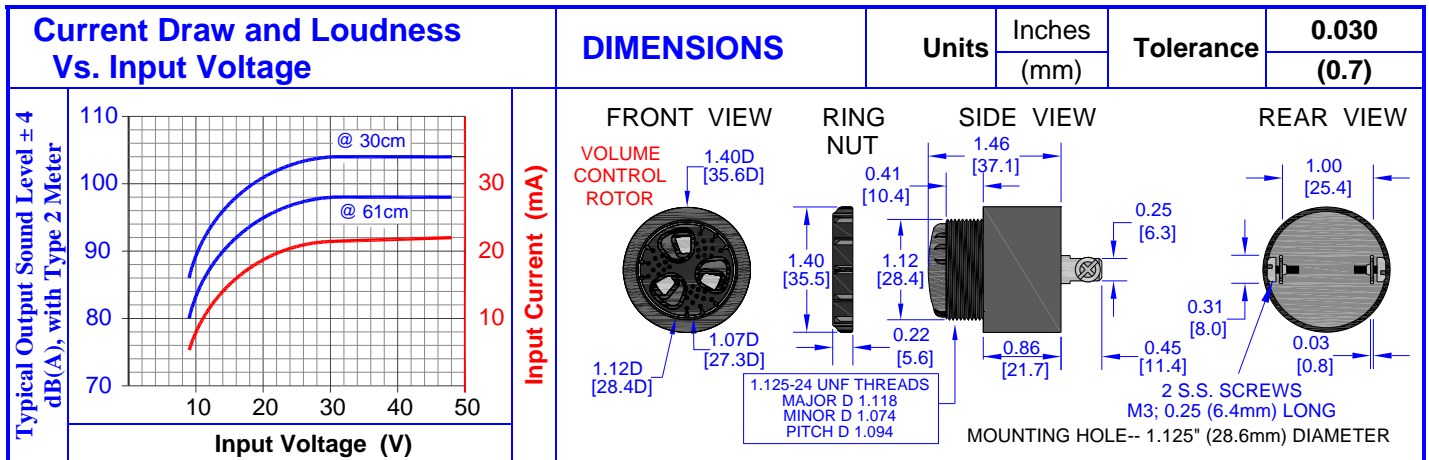


DESCRIPTION		FEATURES			
Challenge Electronics WARBLE Tone, MEDIUM Loud, 9 to 48 Vdc, A style case Rear Panel Mounting in 1.125" (28.6 mm) Hole, Sound Pressure Level of 98 dB(A) at 48 Vdc at 61 cm, 2,900 Hz. Output Frequency, Quick Connect Blades termination, Slow Rate 1 cycle per second, Piezoelectric Alarm with a mechanical Volume Control, RoHS Compliant		<ul style="list-style-type: none"> ◆ Reliable Solid State Piezoelectric Technology ◆ Corrosion resistant Stainless Steel Diaphragm ◆ Flame Retardant Plastic ◆ Extended storage temperature ◆ Hermetically Sealed Alarm ◆ Water Proof, NEMA 3R, 4X, or 12 with Gasket (not supplied) ◆ RoHS, Lead Free Compliance ◆ ISO 9001 Certified 			
SPECIFICATIONS					
Operating Mode	Medium Loud, Slow Warble Tone		Pulse Rate	1 ± 10% Cycle per Second	
Operating Voltage	9 to 48 Vdc		Nominal Operating Voltage	36 and 48 Vdc	
Operating Frequency	Center Frequency 2,900 ± 250 Hz.; cycles approximately ± 300 Hz. From Center Frequency				
Typical Loudness	At Minimum Voltage	88 ± 5 dB(A), at 9 Vdc, 24 inches (61 cm), 25°C			
	At Maximum Voltage	98 ± 3 dB(A), at 48 Vdc, 24 inches (61 cm), 25°C			
Volume Control	Maximum Sound Pressure Level can be restricted up to 20 dB from maximum output. (Note, The Volume Control Rotor may reduce maximum loudness) To install, simply, push the ROTOR onto the front of alarm until it snapped in place To attenuate sound, while alarm is turned on, rotate the ROTOR until maximum desired sound is achieved				
Typical Operating Current	At Minimum Voltage	10 mA at 9 Vdc	At Maximum Voltage	25 mA at 48 Vdc	
Operating Temperature	-30°C to +65°C		Storage Temperature	-40°C to +105°C	
Surge Voltage	20% over maximum Operating Voltage for less than 5 minutes				
Materials	Alarm Case	Plastic, "A" Case, NORYL™, PX9406 or equal, flame retardant UL 94-V0, Black			
	Diaphragm	Stainless Steel 304			
	Encapsulation	Two parts epoxy resin or silicone potting, Black			
	Termination	Two, 0.25 (6.4 mm) Quick Connect Blades, 0.032Ø (0.8Ø mm) Wide, Brass, Electro-Tin plated			
Physical Dimensions	Length or Diameter (L /D)	1.46" (37.1 mm) Ø	Width (W)	Height (H)	1.46" (37.1 mm)
Approximate Weight	37 grams	Removable Washing Label	No	Compliance	RoHS
Available Options					
RELIABILITY					
Thermal Operating Temperature Test	240 hours continuous operation at Rated Power, at Maximum Rated Operating Temperature *				
	240 hours continuous operation at Rated Power, at Minimum Rated Operating Temperature *				
Thermal Storage Temperature Test	96 hours storage at Maximum Rated Storage Temperatures *				
	96 hours storage at Minimum Rated Storage Temperatures *				
Thermal Shock Test	5 cycles of Minimum and Maximum Operating Temperature Each cycle shall be set per diagram below and is 3 hours long *		<p>SINGLE CYCLE</p> <p>The graph shows a temperature profile over 210 minutes. It starts at 25°C, ramps up to 150°C at 120 minutes, holds at 150°C until 150 minutes, ramps down to 25°C at 180 minutes, and holds at 25°C until 210 minutes.</p>		
Humidity Test	120 Hours at +60°C±2°C. 90-95% RH *				
Salt Spray	Withstand exposure to salt spray per ASTM B117 for a period of 300 hours *				
Water & Dust Exposure	Withstands water submergence and dust exposure per IP-68 *				
Vibration Test	2 Hours at 1.5 mm with 10 to 55 Hz. of vibration frequency to each of 3 perpendicular direction *				
Drop Test	Dropped naturally from 1 meter height onto the surface of 10mm wooden board, 2 directions upper and side of the part are applied *				
Termination Strength	Maximum of 15 pounds (6.8 Kg) load pull test				
* Reliability Test Performance	Parts should conform to original performance within ±3dB, after 3 hours of recovery and dry period				
Life Test	Intermittent	1,000 hours of a 1 minute on 4 minutes off cycle at room temperature and maximum rated voltage			
	Continuous	250 hours continuous operation at maximum rated Voltage and maximum Operating Temperatures			
Warranty	For a period of one (1) year from date of shipping under normal operations conditions This warranty does not apply to products damaged through misuse, abuse, improper installation, alteration, rework, or attempt to repair				

The information contained herein is believed to be correct, but no guarantee or warranty, express or implied, with respect to accuracy, completeness or results is extended and no liability is assumed.

Challenge Electronics reserves the right to make changes in any specification, data or material contained herein.

Copyright © 2012 Challenge Electronics



PACKAGING		MARKING	TRAY		
ONE TRAY: 	TWO BUNDLE: 	Bundle	Dimensions	X1	34.7 cm
		Customer PN		Y1	34.7 cm
Other PN if required	Z1	21.2 cm			
		Quantity	Quantity	42	
		Lot and/or Date Code	BUNDLE		
ONE BUNDLE: 	SHIPPING BOX: 	Bundle Number	Dimensions	X2	cm
		Shipping Box		Y2	cm
		Customer Part Number	Z2	cm	
		Other PN (if required)	Quantity		
		Quantity	SHIPPING BOX		
		Lot and/or Date Code	Dimensions	X3	35 cm
		PO Number		Y3	35 cm
		Net Weight		Z3	22.5 cm
		Gross Weighjt	Number of Bundles	1	
		Box Number	Quantity	250	
		of Number of Boxes	Approximate Weight	9 Kg.	
		Made in China			

The information contained herein is believed to be correct, but no guarantee or warranty, express or implied, with respect to accuracy, completeness or results is extended and no liability is assumed.
 Challenge Electronics reserves the right to make changes in any specification, data or material contained herein.