



PRODUCT INFORMATION

Part #: **CE-WCM530AWS**

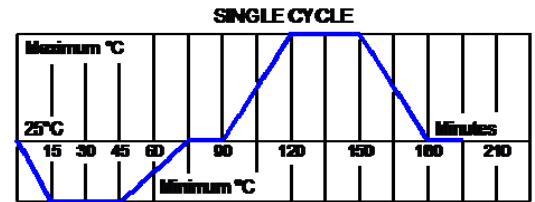
Revision: 3-2012

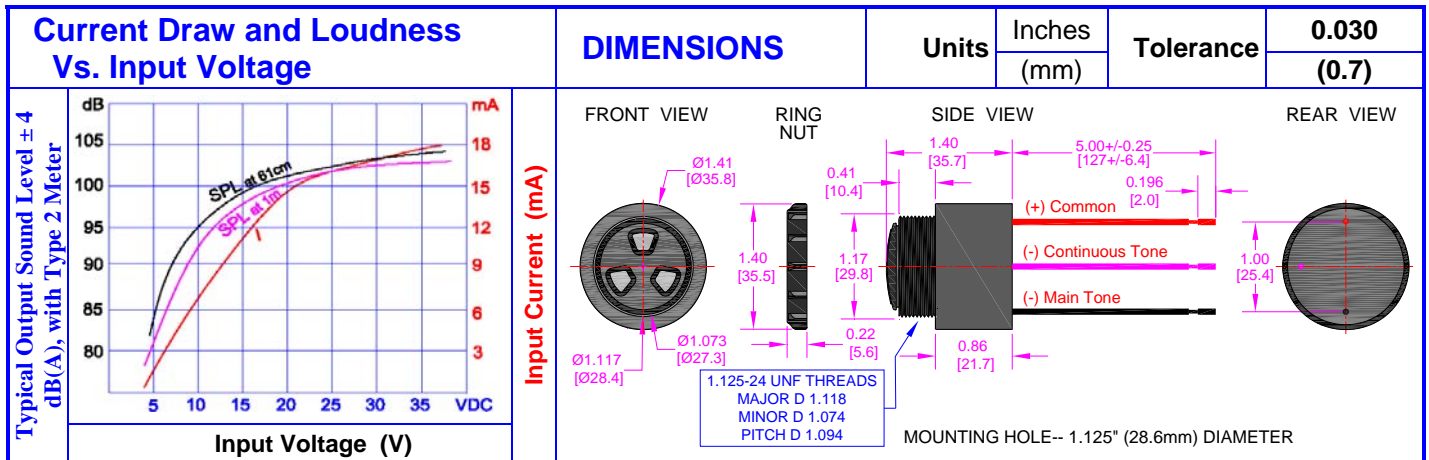


DESCRIPTION	FEATURES
Challenge Electronics Dual-Function WARBLE or CONTINUOUS Tones, MEDIUM Loud , 5 to 30 Vdc, A style case Rear Panel Mounting in 1.125" (28.6 mm) Hole, Sound Pressure Level of 98 dB(A) at 30 Vdc at 61 cm, 2,900 Hz. Output Frequency, Wire Leads 5" (12.7cm) Long termination, Slow Rate 1 cycle per second, Piezoelectric Alarm, RoHS Compliant	<ul style="list-style-type: none"> ◆ Reliable Solid State Piezoelectric Technology ◆ Corrosion resistant Stainless Steel Diaphragm ◆ Flame Retardant Plastic ◆ Extended storage temperature ◆ Hermetically Sealed Alarm ◆ Water Proof, NEMA 3R, 4X, or 12 with Gasket (not supplied) ◆ RoHS, Lead Free Compliance ◆ ISO 9001 Certified

SPECIFICATIONS	
Operating Mode	Medium Loud, Slow Warble or Continuous Tones
Operating Voltage	5 to 30 Vdc
Operating Frequency	Center Frequency 2,900 ± 250 Hz. Cycles approximately ± 300 Hz. From Center Frequency
Typical Loudness	At Minimum Voltage
	At Maximum Voltage
Typical Operating Current	At Minimum Voltage
Operating Temperature	-30°C to +65°C
Surge Voltage	20% over maximum Operating Voltage for less than 5 minutes
Materials	Alarm Case
	Diaphragm
	Encapsulation
	Termination
Physical Dimensions	Length or Diameter (L/D)
Approximate Weight	40 grams
Available Options	

RELIABILITY	
Thermal Operating Temperature Test	240 hours continuous operation at Rated Power, at Maximum Rated Operating Temperature *
Thermal Storage Temperature Test	96 hours storage at Maximum Rated Storage Temperatures *
Thermal Shock Test	5 cycles of Minimum and Maximum Operating Temperature Each cycle shall be set per diagram below and is 3 hours long *
Humidity Test	120 Hours at +60°C±2°C. 90-95% RH *
Salt Spray	Withstand exposure to salt spray per ASTM B117 for a period of 300 hours *
Water & Dust Exposure	Withstands water submergence and dust exposure per IP-68 *
Vibration Test	2 Hours at 1.5 mm with 10 to 55 Hz. of vibration frequency to each of 3 perpendicular direction *
Drop Test	Dropped naturally from 1 meter height onto the surface of 10mm wooden board, 2 directions upper and side of the part are applied *
Termination Strength	Maximum of 15 pounds (6.8 Kg) load pull test
* Reliability Test Performance	Parts should conform to original performance within ±3dB, after 3 hours of recovery and dry period
Life Test	Intermittent
	Continuous
Warranty	For a period of one (1) year from date of shipping under normal operations conditions This warranty does not apply to products damaged through misuse, abuse, improper installation, alteration, rework, or attempt to repair





PACKAGING

ONE TRAY:

TWO BUNDLE:

ONE BUNDLE:

SHIPPING BOX:

MODEL	
QTY	PCS
N.W	KG
G.W	KG
SIZE	
LOT NO	

MARKING	TRAY	
Bundle		X1 34.7 cm
Customer PN	Dimensions	Y1 34.7 cm
Other PN if required		Z1 21.2 cm
Quantity	Quantity	42
Lot and/or Date Code	BUNDLE	
Bundle Number		X2 cm
Shipping Box	Dimensions	Y2 cm
Customer Part Number		Z2 cm
Other PN (if required)	Quantity	
Quantity	SHIPPING BOX	
Lot and/or Date Code		X3 35 cm
PO Number	Dimensions	Y3 35 cm
Net Weight		Z3 22.5 cm
Gross Weighjt	Number of Bundles	1
Box Number	Quantity	250
of Number of Boxes	Approximate Weight	10 Kg.
Made in China		

The information contained herein is believed to be correct, but no guarantee or warranty, express or implied, with respect to accuracy, completeness or results is extended and no liability is assumed.
 Challenge Electronics reserves the right to make changes in any specification, data or material contained herein.