



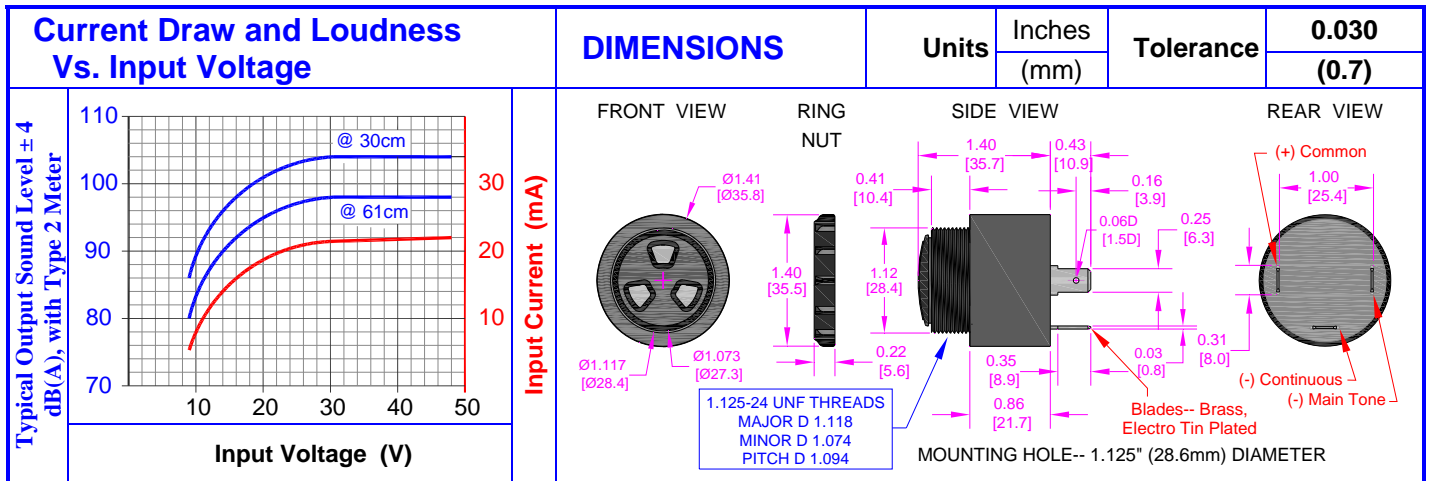
PRODUCT INFORMATION

Part #: **CE-WCM948AQF**

Revision: 3-2012



DESCRIPTION		FEATURES			
Challenge Electronics Dual-Function WARBLE or CONTINUOUS Tones, MEDIUM Loud, 9 to 48 Vdc, A style case Rear Panel Mounting in 1.125" (28.6 mm) Hole, Sound Pressure Level of 98 dB(A) at 48 Vdc at 61 cm, 2,900 Hz. Output Frequency, Quick Connect Blades termination, Fast Rate 3 cycles per second , Piezoelectric Alarm, RoHS Compliant		<ul style="list-style-type: none"> ◆ Reliable Solid State Piezoelectric Technology ◆ Corrosion resistant Stainless Steel Diaphragm ◆ Flame Retardant Plastic ◆ Extended storage temperature ◆ Hermetically Sealed Alarm ◆ Water Proof, NEMA 3R, 4X, or 12 with Gasket (not supplied) ◆ RoHS, Lead Free Compliance ◆ ISO 9001 Certified 			
SPECIFICATIONS					
Operating Mode	Medium Loud, Fast Warble or Continuous Tones	Pulse Rate	3 ± 10% Cycles per Second		
Operating Voltage	9 to 48 Vdc	Nominal Operating Voltage	36 and 48 Vdc		
Operating Frequency	Center Frequency 2,900 ± 250 Hz. Cycles approximately ± 300 Hz. From Center Frequency				
Typical Loudness	At Minimum Voltage	88 ± 5 dB(A), at 9 Vdc, 24 inches (61 cm), 25°C			
	At Maximum Voltage	98 ± 3 dB(A), at 48 Vdc, 24 inches (61 cm), 25°C			
Typical Operating Current	At Minimum Voltage	10 mA at 9 Vdc	At Maximum Voltage	25 mA at 48 Vdc	
Operating Temperature	-30°C to +65°C		Storage Temperature	-40°C to +105°C	
Surge Voltage	20% over maximum Operating Voltage for less than 5 minutes				
Materials	Alarm Case	Plastic, "A" Case, NORYL™, PX9406 or equal, flame retardant UL 94-V0, Black			
	Diaphragm	Stainless Steel 304			
	Encapsulation	Two parts epoxy resin or silicone potting, Black			
	Termination	Three, 0.25 (6.4 mm) Quick Connect Blades, 0.032Ø (0.8Ø mm) Wide, Brass, Electro-Tin plated			
Physical Dimensions	Length or Diameter (L /D)	1.46" (37.1 mm) Ø	Width (W)	Height (H)	1.4" (35.7 mm)
Approximate Weight	37 grams	Removable Washing Label	No	Compliance	RoHS
Available Options					
RELIABILITY					
Thermal Operating Temperature Test	240 hours continuous operation at Rated Power , at Maximum Rated Operating Temperature *				
Thermal Storage Temperature Test	240 hours continuous operation at Rated Power , at Minimum Rated Operating Temperature *				
Thermal Shock Test	96 hours storage at Maximum Rated Storage Temperatures * 96 hours storage at Minimum Rated Storage Temperatures * 5 cycles of Minimum and Maximum Operating Temperature Each cycle shall be set per diagram below and is 3 hours long *				
	<p>SINGLE CYCLE</p> <p>The graph shows a temperature profile over 210 minutes. The temperature starts at 25°C, rises to a minimum of 25°C at 15 minutes, then rises to a maximum of 120°C at 120 minutes, and finally falls back to 25°C at 210 minutes. The x-axis is labeled 'Minutes' and the y-axis is labeled 'Temperature °C'.</p>				
Humidity Test	120 Hours at +60°C±2°C. 90-95% RH *				
Salt Spray	Withstand exposure to salt spray per ASTM B117 for a period of 300 hours *				
Water & Dust Exposure	Withstands water submergence and dust exposure per IP-68 *				
Vibration Test	2 Hours at 1.5 mm with 10 to 55 Hz. of vibration frequency to each of 3 perpendicular direction *				
Drop Test	Dropped naturally from 1 meter height onto the surface of 10mm wooden board, 2 directions upper and side of the part are applied *				
Termination Strength	Maximum of 15 pounds (6.8 Kg) load pull test				
* Reliability Test Performance	Parts should conform to original performance within ±3dB, after 3 hours of recovery and dry period				
Life Test	Intermittent	1,000 hours of a 1 minute on 4 minutes off cycle at room temperature and maximum rated voltage			
	Continuous	250 hours continuous operation at maximum rated Voltage and maximum Operating Temperatures			
Warranty	For a period of one (1) year from date of shipping under normal operations conditions This warranty does not apply to products damaged through misuse, abuse, improper installation, alteration, rework, or attempt to repair				



PACKAGING

ONE TRAY:

TWO BUNDLE

ONE BUNDLE:

SHIPPING BOX

TOP COVER

MODEL	PCS
QTY	KG
N.W	KG
G.W	KG
SIZE	
LOT NO	

MARKING		TRAY	
Bundle		X1	34.7 cm
Customer PN	Dimensions	Y1	34.7 cm
Other PN if required		Z1	21.2 cm
Quantity	Quantity	42	
Lot and/or Date Code	BUNDLE		
Bundle Number		X2	cm
Shipping Box	Dimensions	Y2	cm
Customer Part Number		Z2	cm
Other PN (if required)	Quantity		
Quantity	SHIPPING BOX		
Lot and/or Date Code		X3	35 cm
PO Number	Dimensions	Y3	35 cm
Net Weight		Z3	22.5 cm
Gross Weight	Number of Bundles	1	
Box Number	Quantity	250	
of Number of Boxes	Approximate Weight	9 Kg.	
Made in China			

The information contained herein is believed to be correct, but no guarantee or warranty, express or implied, with respect to accuracy, completeness or results is extended and no liability is assumed.
 Challenge Electronics reserves the right to make changes in any specification, data or material contained herein.