



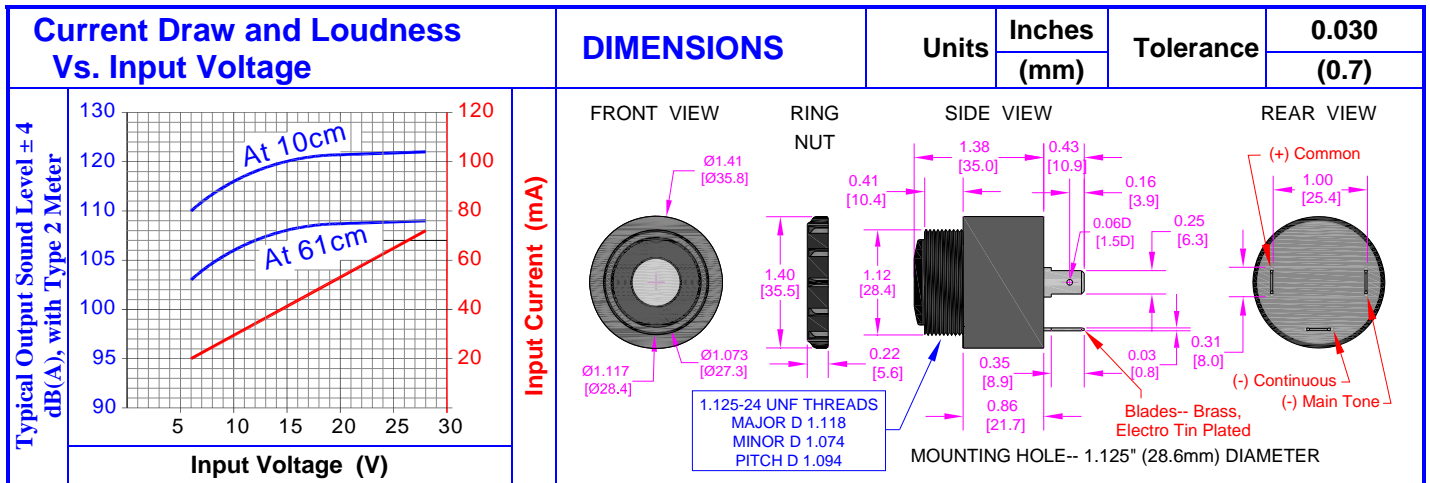
PRODUCT INFORMATION

Part #: **CE-WCU628BQF**

Revision: 5-2012



DESCRIPTION		FEATURES			
Challenge Electronics Dual-Function WARBLE or CONTINUOUS Tones, ULTRA Loud, 6 to 28 Vdc sound frequency of 2,100 Hz. B style case Rear Panel Mounting in 1.125" (28.6 mm) Hole, Sound Pressure Level of 108 dB(A) at 28 Vdc at 61 cm, three Quick Connect Blades termination, Fast Rate 3 cycles per second, Piezoelectric Alarm, RoHS Compliant		<ul style="list-style-type: none"> ◆ Reliable Solid State Piezoelectric Technology ◆ Corrosion resistant Stainless Steel Diaphragm ◆ Flame Retardant Plastic ◆ Extended storage temperature ◆ Hermetically Sealed Alarm ◆ Water Proof, NEMA 3R, 4X, or 12 with Gasket (not supplied) ◆ RoHS, Lead Free Compliance ◆ ISO 9001 Certified 			
SPECIFICATIONS					
Operating Mode	Ultra Loud, Fast Warble or Continuous Tones		Pulse Rate	3 ± 10% Cycles per Second	
Operating Voltage	6 to 28 Vdc		Nominal Operating Voltage	24 Vdc	
Operating Frequency	Center Frequency 2,100 ± 200 Hz. Cycles approximately ± 200Hz. From Center Frequency				
Typical Loudness	At Minimum Voltage	100 ± 5 dB(A), at 6 Vdc, 24 inches (61 cm), 25°C			
	At Maximum Voltage	108 ± 3 dB(A), at 28 Vdc, 24 inches (61 cm), 25°C			
Typical Operating Current	At Minimum Voltage	20 mA at 6 Vdc	At Maximum Voltage	70 mA at 28 Vdc	
Operating Temperature	-30°C to +85°C		Storage Temperature	-40°C to +105°C	
Surge Voltage	20% over maximum Operating Voltage for less than 5 minutes				
Materials	Alarm Case	Plastic, "B" Case Style, NORYL™, PX9406 or equal, flame retardant UL 94-V0, Black			
	Diaphragm	Stainless Steel 304			
	Encapsulation	Two parts epoxy resin or silicone potting, Black			
	Termination	Three, 0.25 (6.4 mm) Quick Disconnect Blades, 0.032Ø (0.8Ø mm) wide, Brass, Electro-Tin plated			
Physical Dimensions	Length or Diameter (L /D)	1.46" (37.6 mm) Ø	Width (W)	Height (H)	1.40" (35.7 mm)
Approximate Weight	37 grams	Removable Washing Label	No	Compliance	RoHS
Available Options					
RELIABILITY					
Thermal Operating Temperature Test	240 hours continuous operation at Rated Power, at Maximum Rated Operating Temperature *				
Thermal Storage Temperature Test	240 hours continuous operation at Rated Power, at Minimum Rated Operating Temperature *				
Thermal Shock Test	96 hours storage at Maximum Rated Storage Temperatures *				
	96 hours storage at Minimum Rated Storage Temperatures *				
Thermal Shock Test	5 cycles of Minimum and Maximum Operating Temperature Each cycle shall be set per diagram below and is 3 hours long *				
Humidity Test	120 Hours at +60°C±2°C. 90-95% RH *				
Salt Spray	Withstand exposure to salt spray per ASTM B117 for a period of 300 hours *				
Water & Dust Exposure	Withstands water submergence and dust exposure per IP-68 *				
Vibration Test	2 Hours at 1.5 mm with 10 to 55 Hz. of vibration frequency to each of 3 perpendicular direction *				
Drop Test	Dropped naturally from 1 meter height onto the surface of 10mm wooden board, 2 directions upper and side of the part are applied *				
Termination Strength	Maximum of 15 pounds (6.8 Kg) load pull test				
* Reliability Test Performance	Parts should conform to original performance within ±3dB, after 3 hours of recovery and dry period				
Life Test	Intermittent	1,000 hours of a 1 minute on 4 minutes off cycle at room temperature and maximum rated voltage			
	Continuous	250 hours continuous operation at maximum rated Voltage and maximum Operating Temperatures			
Warranty	For a period of one (1) year from date of shipping under normal operations conditions This warranty does not apply to products damaged through misuse, abuse, improper installation, alteration, rework, or attempt to repair				



PACKAGING		MARKING	TRAY																			
ONE TRAY:	TWO BUNDLE	Bundle	X1	34.7 cm																		
		Customer PN	Dimensions																			
ONE BUNDLE:	SHIPPING BOX	Other PN if required	Y1	34.7 cm																		
		Quantity	Z1	21.2 cm																		
		Lot and/or Date Code	BUNDLE																			
<table border="1"> <tr><td>ITEM:</td><td></td></tr> <tr><td>C/NO:</td><td></td></tr> <tr><td>MADE IN CHINA</td><td></td></tr> </table>	ITEM:		C/NO:		MADE IN CHINA		<table border="1"> <tr><td>MODEL</td><td></td></tr> <tr><td>QTY</td><td>PCS</td></tr> <tr><td>N.W</td><td>KG</td></tr> <tr><td>G.W</td><td>KG</td></tr> <tr><td>SIZE</td><td></td></tr> <tr><td>LOT NO</td><td></td></tr> </table>	MODEL		QTY	PCS	N.W	KG	G.W	KG	SIZE		LOT NO		Bundle Number	X2	cm
ITEM:																						
C/NO:																						
MADE IN CHINA																						
MODEL																						
QTY	PCS																					
N.W	KG																					
G.W	KG																					
SIZE																						
LOT NO																						
		Shipping Box	Dimensions																			
		Customer Part Number	Y2	cm																		
		Other PN (if required)	Z2	cm																		
		Quantity	SHIPPING BOX																			
		Lot and/or Date Code	X3	35 cm																		
		PO Number	Dimensions																			
		Net Weight	Y3	35 cm																		
		Gross Weight	Z3	22.5 cm																		
		Box Number	Number of Bundles																			
		of Number of Boxes	Quantity																			
		Approximate Weight	1																			
			250																			
			9 Kg.																			
		Made in China																				