



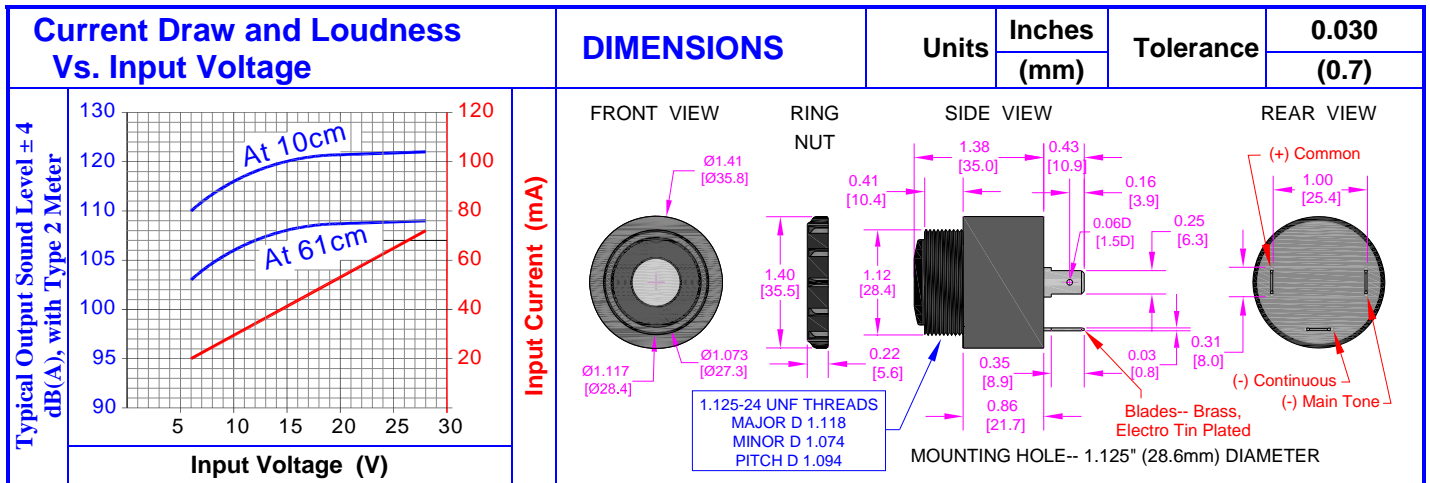
# PRODUCT INFORMATION

Part #: **CE-WCU628BQS**

Revision: 5-2012



DESCRIPTION		FEATURES			
<b>Challenge Electronics Dual-Function WARBLE or CONTINUOUS Tones, ULTRA Loud, 6 to 28 Vdc</b> sound frequency of <b>2,100 Hz.</b> B style case Rear Panel Mounting in 1.125" (28.6 mm) Hole, Sound Pressure Level of <b>108 dB(A)</b> at 28 Vdc at 61 cm, three <b>Quick Connect Blades</b> termination, <b>Slow Rate 1</b> cycle per second, Piezoelectric Alarm, <b>RoHS Compliant</b>		<ul style="list-style-type: none"> <li>◆ <b>Reliable Solid State Piezoelectric Technology</b></li> <li>◆ <b>Corrosion resistant Stainless Steel Diaphragm</b></li> <li>◆ <b>Flame Retardant Plastic</b></li> <li>◆ <b>Extended storage temperature</b></li> <li>◆ <b>Hermetically Sealed Alarm</b></li> <li>◆ <b>Water Proof, NEMA 3R, 4X, or 12 with Gasket (not supplied)</b></li> <li>◆ <b>RoHS, Lead Free Compliance</b></li> <li>◆ <b>ISO 9001 Certified</b></li> </ul>			
SPECIFICATIONS					
Operating Mode	Ultra Loud, Slow Warble or Continuous Tones		Pulse Rate	1 ± 10% Cycle per Second	
Operating Voltage	6 to 28 Vdc		Nominal Operating Voltage	24 Vdc	
Operating Frequency	Center Frequency 2,100 ± 200 Hz. Cycles approximately ± 200Hz. From Center Frequency				
Typical Loudness	At Minimum Voltage	100 ± 5 dB(A), at 6 Vdc, 24 inches (61 cm), 25°C			
	At Maximum Voltage	108 ± 3 dB(A), at 28 Vdc, 24 inches (61 cm), 25°C			
Typical Operating Current	At Minimum Voltage	20 mA at 6 Vdc	At Maximum Voltage	70 mA at 28 Vdc	
Operating Temperature	-30°C to +85°C		Storage Temperature	-40°C to +105°C	
Surge Voltage	20% over maximum Operating Voltage for less than 5 minutes				
Materials	Alarm Case	Plastic, "B" Case Style, NORYL™, PX9406 or equal, flame retardant UL 94-V0, Black			
	Diaphragm	Stainless Steel 304			
	Encapsulation	Two parts epoxy resin or silicone potting, Black			
	Termination	Three, 0.25 (6.4 mm) Quick Disconnect Blades, 0.032Ø (0.8Ø mm) wide, Brass, Electro-Tin plated			
Physical Dimensions	Length or Diameter (L /D)	1.46" (37.1 mm) Ø	Width (W)	Height (H)	1.40" (35.7 mm)
Approximate Weight	37 grams	Removable Washing Label	No	Compliance	RoHS
Available Options					
RELIABILITY					
Thermal Operating Temperature Test	240 hours continuous operation at <b>Rated Power</b> , at <b>Maximum Rated Operating Temperature</b> *				
Thermal Storage Temperature Test	240 hours continuous operation at <b>Rated Power</b> , at <b>Minimum Rated Operating Temperature</b> *				
Thermal Shock Test	96 hours storage at <b>Maximum Rated Storage Temperatures</b> *				
	96 hours storage at <b>Minimum Rated Storage Temperatures</b> *				
Thermal Shock Test	5 cycles of <b>Minimum and Maximum Operating Temperature</b> Each cycle shall be set per diagram below and is 3 hours long *		<p><b>SINGLE CYCLE</b></p> <p>Maximum °C</p> <p>25°C</p> <p>Minutes</p> <p>15 30 45 60 90 120 150 180 210</p> <p>Minimum °C</p>		
Humidity Test	120 Hours at +60°C±2°C. 90-95% RH *				
Salt Spray	Withstand exposure to salt spray per ASTM B117 for a period of <b>300 hours</b> *				
Water & Dust Exposure	Withstands water submergence and dust exposure per IP-68 *				
Vibration Test	2 Hours at 1.5 mm with 10 to 55 Hz. of vibration frequency to each of 3 perpendicular direction *				
Drop Test	Dropped naturally from 1 meter height onto the surface of 10mm wooden board, 2 directions upper and side of the part are applied *				
Termination Strength	Maximum of 15 pounds (6.8 Kg) load pull test				
* Reliability Test Performance	Parts should conform to original performance within ±3dB, after 3 hours of recovery and dry period				
Life Test	Intermittent	1,000 hours of a 1 minute on 4 minutes off cycle at room temperature and <b>maximum rated voltage</b>			
	Continuous	250 hours continuous operation at <b>maximum rated Voltage</b> and maximum Operating Temperatures			
Warranty	For a period of one (1) year from date of shipping under normal operations conditions This warranty does not apply to products damaged through misuse, abuse, improper installation, alteration, rework, or attempt to repair				



PACKAGING		MARKING	TRAY																																	
<b>ONE TRAY:</b> 	<b>TWO BUNDLE</b> 	<b>Bundle</b>	<b>X1</b>	<b>34.7 cm</b>																																
		<b>Customer PN</b>	<b>Dimensions</b>	<b>Y1</b>	<b>34.7 cm</b>																															
<b>ONE BUNDLE:</b> 	<b>SHIPPING BOX</b> 	<b>Other PN if required</b>	<b>Z1</b>	<b>21.2 cm</b>																																
		<b>Quantity</b>	<b>Quantity</b>	<b>42</b>																																
<b>TOP COVER</b> 	<b>ITEM:</b> <b>C/NO:</b> <b>MADE IN CHINA</b>	<b>Lot and/or Date Code</b>	<b>BUNDLE</b>																																	
		<b>Bundle Number</b>	<b>X2</b>	<b>cm</b>																																
<table border="1"> <tr> <td>6</td> <td>↑↑</td> </tr> <tr> <td>↑</td> <td>↑</td> </tr> <tr> <td>MODEL</td> <td></td> </tr> <tr> <td>QTY</td> <td>PCS</td> </tr> <tr> <td>N.W</td> <td>KG</td> </tr> <tr> <td>G.W</td> <td>KG</td> </tr> <tr> <td>SIZE</td> <td></td> </tr> <tr> <td>LOT NO</td> <td></td> </tr> </table>	6	↑↑	↑	↑	MODEL		QTY	PCS	N.W	KG	G.W	KG	SIZE		LOT NO		<table border="1"> <tr> <td>ITEM</td> <td>QTY</td> <td>PCS</td> </tr> <tr> <td>C/NO</td> <td>QTY</td> <td>PCS</td> </tr> <tr> <td>DATE</td> <td>QTY</td> <td>PCS</td> </tr> <tr> <td>SIZE</td> <td>QTY</td> <td>PCS</td> </tr> <tr> <td>LOT NO</td> <td>QTY</td> <td>PCS</td> </tr> </table>	ITEM	QTY	PCS	C/NO	QTY	PCS	DATE	QTY	PCS	SIZE	QTY	PCS	LOT NO	QTY	PCS	<b>Shipping Box</b>	<b>Dimensions</b>	<b>Y2</b>	<b>cm</b>
	6	↑↑																																		
↑	↑																																			
MODEL																																				
QTY	PCS																																			
N.W	KG																																			
G.W	KG																																			
SIZE																																				
LOT NO																																				
ITEM	QTY	PCS																																		
C/NO	QTY	PCS																																		
DATE	QTY	PCS																																		
SIZE	QTY	PCS																																		
LOT NO	QTY	PCS																																		
<table border="1"> <tr> <td>MODEL</td> <td></td> </tr> <tr> <td>QTY</td> <td>PCS</td> </tr> <tr> <td>N.W</td> <td>KG</td> </tr> <tr> <td>G.W</td> <td>KG</td> </tr> <tr> <td>SIZE</td> <td></td> </tr> <tr> <td>LOT NO</td> <td></td> </tr> </table>	MODEL		QTY	PCS	N.W	KG	G.W	KG	SIZE		LOT NO		<table border="1"> <tr> <td>ITEM</td> <td>QTY</td> <td>PCS</td> </tr> <tr> <td>C/NO</td> <td>QTY</td> <td>PCS</td> </tr> <tr> <td>DATE</td> <td>QTY</td> <td>PCS</td> </tr> <tr> <td>SIZE</td> <td>QTY</td> <td>PCS</td> </tr> <tr> <td>LOT NO</td> <td>QTY</td> <td>PCS</td> </tr> </table>	ITEM	QTY	PCS	C/NO	QTY	PCS	DATE	QTY	PCS	SIZE	QTY	PCS	LOT NO	QTY	PCS	<b>Customer Part Number</b>	<b>Z2</b>	<b>cm</b>					
	MODEL																																			
QTY	PCS																																			
N.W	KG																																			
G.W	KG																																			
SIZE																																				
LOT NO																																				
ITEM	QTY	PCS																																		
C/NO	QTY	PCS																																		
DATE	QTY	PCS																																		
SIZE	QTY	PCS																																		
LOT NO	QTY	PCS																																		
<b>Quantity</b>	<b>Quantity</b>	<b>Other PN (if required)</b>	<b>Quantity</b>																																	
		<b>Quantity</b>	<b>SHIPPING BOX</b>																																	
<b>Lot and/or Date Code</b>	<b>Lot and/or Date Code</b>	<b>X3</b>	<b>35 cm</b>																																	
<b>PO Number</b>	<b>PO Number</b>	<b>Y3</b>	<b>35 cm</b>																																	
<b>Net Weight</b>	<b>Net Weight</b>	<b>Z3</b>	<b>22.5 cm</b>																																	
<b>Gross Weight</b>	<b>Number of Bundles</b>	<b>1</b>																																		
<b>Box Number</b>	<b>Quantity</b>	<b>250</b>																																		
<b>of Number of Boxes</b>	<b>Approximate Weight</b>	<b>9 Kg.</b>																																		
<b>Made in China</b>																																				

The information contained herein is believed to be correct, but no guarantee or warranty, express or implied, with respect to accuracy, completeness or results is extended and no liability is assumed.  
 Challenge Electronics reserves the right to make changes in any specification, data or material contained herein.