



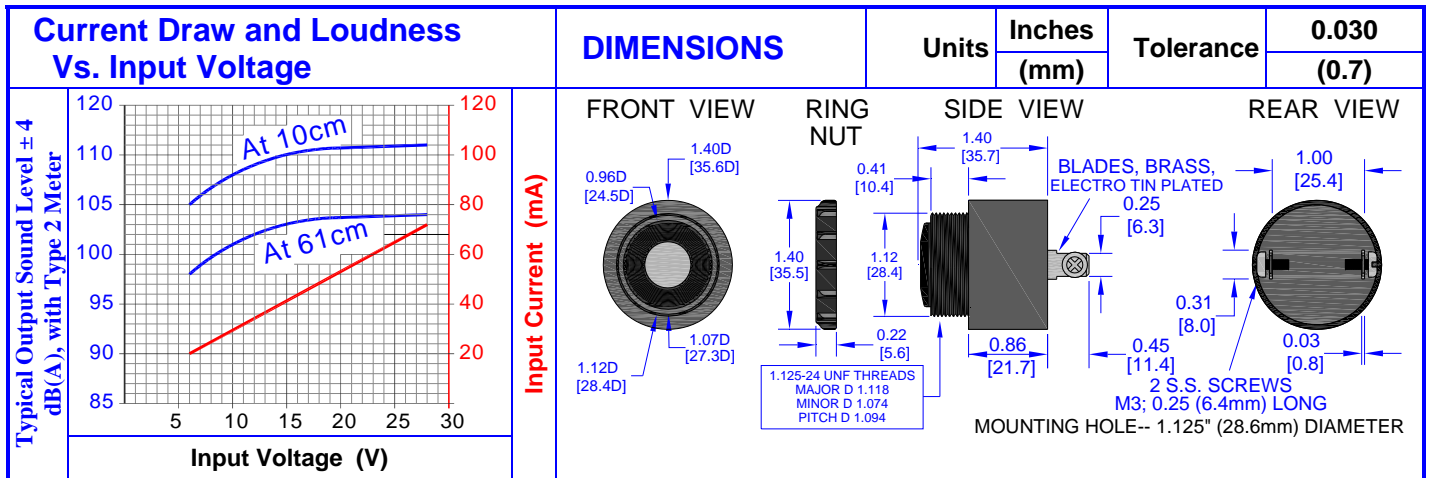
PRODUCT INFORMATION

Part #: CE-OU628BS

Revision: 5-2012



DESCRIPTION		FEATURES			
<p>Challenge Electronics WHOOP Tone, ULTRA Loud, 6 to 28 Vdc with a relatively low sound frequency of 2,100 Hz., B style case Rear Panel Mounting in 1.125" (28.6 mm) Hole, Sound Pressure Level of 108 dB(A) at 28 Vdc at 61 cm, , S two 0.25" (6.4 mm) Blades with M3 0.25" (6.4 mm) long Stainless Steel Screws termination, 2 cycles per second, Piezoelectric Alarm, RoHS Compliant</p>		<ul style="list-style-type: none"> ◆ Reliable Solid State Piezoelectric Technology ◆ Corrosion resistant Stainless Steel Diaphragm ◆ Flame Retardant Plastic ◆ Extended storage temperature ◆ Hermetically Sealed Alarm ◆ Water Proof, NEMA 3R, 4X, or 12 with Gasket (not supplied) ◆ RoHS, Lead Free Compliance ◆ ISO 9001 Certified 			
SPECIFICATIONS					
Operating Mode	Ultra Loud, Whoop Tone		Sweeping Rate	2 ± 10% Cycles per Second	
Operating Voltage	6 to 28 Vdc		Nominal Operating Voltage	12 Vdc	
Operating Frequency	2,100 ± 200 Hz. Sweeping Frequencies approximately ± 200 Hz. from Center Frequency				
Typical Loudness	At Minimum Voltage	98 ± 5 dB(A), at 6 Vdc, 24 inches (61 cm), 25°C			
	At Maximum Voltage	108 ± 3 dB(A), at 28 Vdc, 24 inches (61 cm), 25°C			
Typical Operating Current	At Minimum Voltage	20 mA at 6 Vdc	At Maximum Voltage	70 mA at 28 Vdc	
	Operating Temperature	-30°C to +85°C		Storage Temperature	-40°C to +105°C
Surge Voltage	20% over maximum Operating Voltage for less than 5 minutes				
Materials	Alarm Case	Plastic, "B" Case Style, NORYL™, PX9406 or equal, flame retardant UL 94-V0, Black			
	Diaphragm	Stainless Steel 304			
	Encapsulation	Two parts epoxy resin or silicone potting, Black			
	Termination	Two, 0.25 (6.4 mm) Quick Connect Blades, 0.032Ø (0.8Ø mm) Wide, Brass, Electro-Tin plated With M3 0.25" (6.4 mm) long Stainless Steel Screws.			
Physical Dimensions	Length or Diameter (L/D)	1.40" (35.6 mm) Ø	Width (W)	Height (H)	1.40" (35.7 mm)
Approximate Weight	37 grams	Removable Washing Label	No	Compliance	RoHS
Available Options					
RELIABILITY					
Thermal Operating Temperature Test	240 hours continuous operation at Rated Power , at Maximum Rated Operating Temperature *				
	240 hours continuous operation at Rated Power , at Minimum Rated Operating Temperature *				
Thermal Storage Temperature Test	96 hours storage at Maximum Rated Storage Temperatures *				
	96 hours storage at Minimum Rated Storage Temperatures *				
Thermal Shock Test	5 cycles of Minimum and Maximum Operating Temperature Each cycle shall be set per diagram below and is 3 hours long *				
Humidity Test	120 Hours at +60°C±2°C. 90-95% RH *				
Salt Spray	Withstand exposure to salt spray per ASTM B117 for a period of 300 hours *				
Water & Dust Exposure	Withstands water submergence and dust exposure per IP-68 *				
Vibration Test	2 Hours at 1.5 mm with 10 to 55 Hz. of vibration frequency to each of 3 perpendicular direction *				
Drop Test	Dropped naturally from 1 meter height onto the surface of 10mm wooden board, 2 directions upper and side of the part are applied *				
Termination Strength	Maximum of 15 pounds (6.8 Kg) load pull test and of 4 lb. per inch driving torque on screw				
* Reliability Test Performance	Parts should conform to original performance within ±3dB, after 3 hours of recovery and dry period				
Life Test	Intermittent	1,000 hours of a 1 minute on 4 minutes off cycle at room temperature and maximum rated voltage			
	Continuous	250 hours continuous operation at maximum rated Voltage and maximum Operating Temperatures			
Warranty	For a period of one (1) year from date of shipping under normal operations conditions This warranty does not apply to products damaged through misuse, abuse, improper installation, alteration, rework, or attempt to repair				



PACKAGING

ONE TRAY:	TWO BUNDLE	MARKING	TRAY																								
		Bundle	X1 34.7 cm																								
ONE BUNDLE: 	SHIPPING BOX 	Customer PN	Y1 34.7 cm																								
TOP COVER 	ITEM: [] C/NQ: [] MADE IN CHINA	Other PN if required	Z1 21.2 cm																								
<table border="1"> <tr><td>6</td><td>↑↑</td></tr> <tr><td>↑</td><td>↑</td></tr> <tr><td>↑</td><td>↑</td></tr> <tr><td>↑</td><td>↑</td></tr> <tr><td>↑</td><td>↑</td></tr> <tr><td>↑</td><td>↑</td></tr> </table>	6	↑↑	↑	↑	↑	↑	↑	↑	↑	↑	↑	↑	<table border="1"> <tr><td>MODEL</td><td>PCS</td></tr> <tr><td>QTY</td><td>KG</td></tr> <tr><td>N.W</td><td>KG</td></tr> <tr><td>G.W</td><td>KG</td></tr> <tr><td>SIZE</td><td></td></tr> <tr><td>LOT NO</td><td></td></tr> </table>	MODEL	PCS	QTY	KG	N.W	KG	G.W	KG	SIZE		LOT NO		Quantity	42
6	↑↑																										
↑	↑																										
↑	↑																										
↑	↑																										
↑	↑																										
↑	↑																										
MODEL	PCS																										
QTY	KG																										
N.W	KG																										
G.W	KG																										
SIZE																											
LOT NO																											
		Lot and/or Date Code	BUNDLE																								
		Bundle Number	X2 cm																								
		Shipping Box	Y2 cm																								
		Customer Part Number	Z2 cm																								
		Other PN (if required)	Quantity																								
		Quantity	SHIPPING BOX																								
		Lot and/or Date Code	X3 35 cm																								
		PO Number	Y3 35 cm																								
		Net Weight	Z3 22.5 cm																								
		Gross Weight	Number of Bundles 1																								
		Box Number	Quantity 250																								
		of Number of Boxes	Approximate Weight 9 Kg.																								
		Made in China																									

The information contained herein is believed to be correct, but no guarantee or warranty, express or implied, with respect to accuracy, completeness or results is extended and no liability is assumed.
 Challenge Electronics reserves the right to make changes in any specification, data or material contained herein.