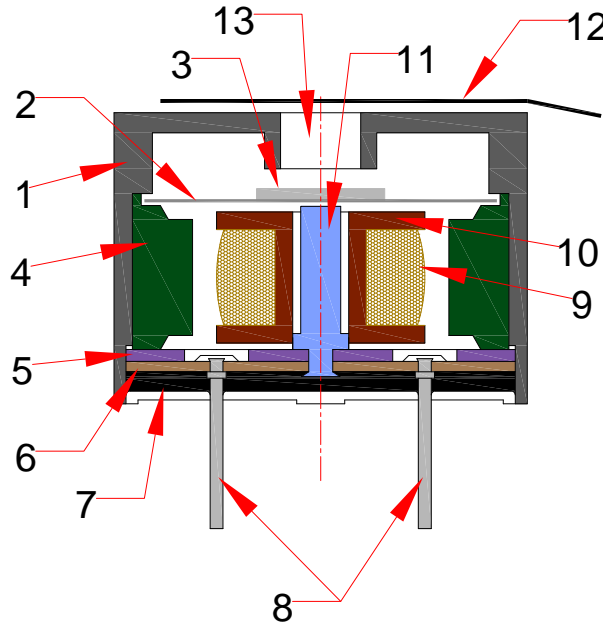




AN-ETA-12-110

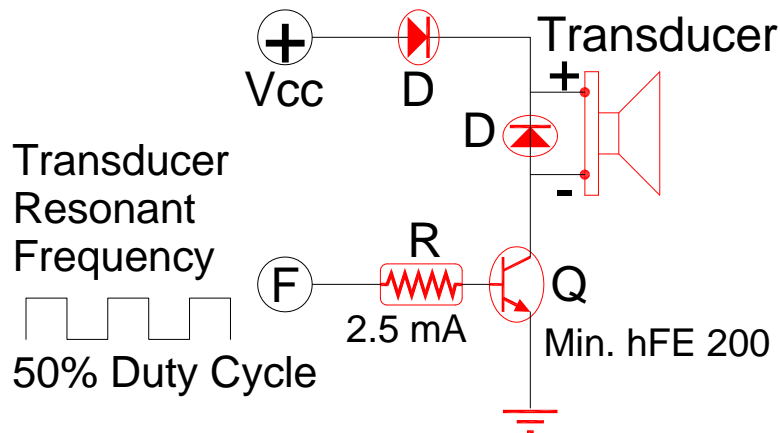
Electromagnetic Transducers Application

Typical Construction



1	Housing Case
2	Diaphragm
3	Magnet Ring
4	Copper Ring
5	Coil Base
6	PC Board
7	Potting Material
8	PC Pins
9	Coil Winding
10	Coil Bobbin
11	Coil Core
12	Washing Label
13	Sound Port

Typical Circuit Drive Application



It is recommended to include the two (2) diodes in the driving circuit to protect the power supply from noise interference produced by the transducer coil.