

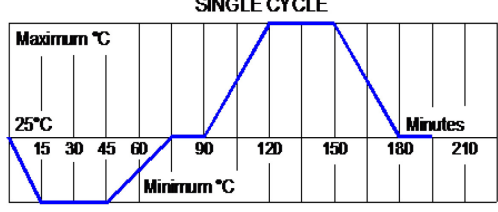
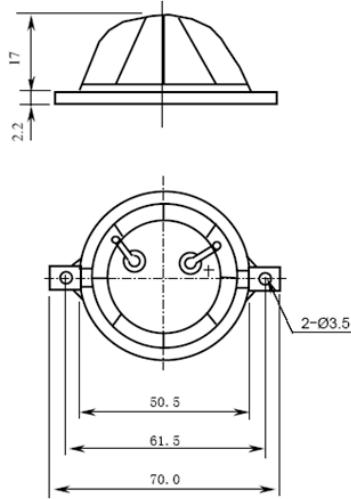




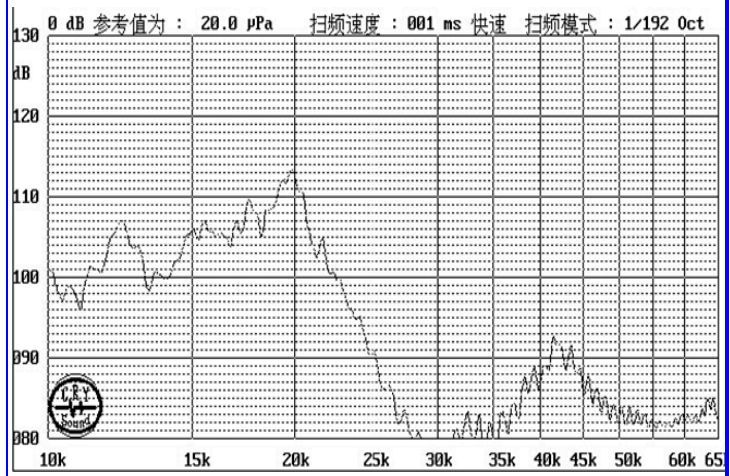
PRODUCT INFORMATION								
PART #:		CEUT505I192-110-20TR			Revision: 0-2014			
		Ultrasound Transmitter						
DESCRIPTION			FEATURES					
Challenge Electronics Piezoelectric Ultrasound Transmitter; 50.5 mm Diameter; I style case (Round w/Mounting Flange); 19.2 mm High; 1 to 10 Vp-p Operating Voltage; 20 KHz. Resonant Frequency; minimum Sound output of 90 dB(A) min at 30 cm at Rated Voltage; Solder Tab Termination, RoHS, Lead Free and REACH Compliance			<ul style="list-style-type: none"> • RoHS, Lead Free Compliant • REACH Compliant • ISO 9001 Certified 					
SPECIFICATIONS								
Operating Voltage		1- 10 Vp-p	Nominal Rated Voltage	2.83 Vp-p	Resonant Frequency	20 ± 5 KHz.		
Sound Pressure Level		Minimum 90 dB(A), at: 30 cm, Resonant Frequency, Nominal rated Voltage, Square Wave 50% Duty Cycle						
Operating Temperature		-20°C to +60°C	Storage Temperature	-30°C to + 70°C	Capacitance	68nF ± 30%		
Material		Housing		ABS Plastic		Sound Port Direction	Top	
		Cone		Mylar		Encapsulation		Plastic
		Termination		Solder Tab				
		Mounting		Screw mount. Two (2) Ø3.5 mm, 61.5 mm spacing				
Physical Dimensions		Outer Length (D)	70.0 mm ± 0.5 mm	Diameter (D)	50.5 mm ± 0.5 mm	Height (H)	19.2mm ± 0.5 mm	
Approximate Weight		10 grams		Compliance	RoHS, Lead Free and REACH			
Packaging								
RELIABILITY								
Thermal Storage Temperature Test		36 hours at Maximum Storage Temperature *						
		36 hours at Minimum Storage Temperature *						
Thermal Shock Test		10 cycles of Minimum and Maximum Operating Temperature Each cycle shall be set per diagram and is 3 hours long **						
Humidity Test		36 Hours at +40°C±2°C, 90-95% RH **						
Vibration Test		1 Hours of at 1.5 mm with 10 to 55 Hz. vibration frequency to each of 3 perpendicular directions *						
Termination Strength		Maximum of 2.45 N (0.25 Kg) load pull test, applied to each terminal in axial direction for 10 seconds						
Drop Test		Dropped naturally from 750 mm height onto the surface of 40 mm wooden board, 3 axes (X,Y,Z) directions, 3 times (9 times total) *						
Reliability Test Performance		Parts should conform to original performance within *±3dB, **±6dB after 24 hours of recovery period						
Warranty		For a period of one (1) year from date of shipping under normal operations conditions This warranty does not apply to products damaged through misuse, abuse, improper installation, alteration, rework, or attempt to repair						



DIMENSIONS Units in: mm Tolerance: ±0.5 mm



FREQUENCY RESPONSE CURVE



RECOMMENDED CIRCUIT DRIVE

SUBSTANCE OF VERY HIGH CONCERN

This product does NOT contain any of the REACH Substances of Very High Concern (SVHC), and is in compliance with European Union REACH Regulation No.1907/2006 regarding chemical substances which must be registered or disclosed.

PACKAGING

	MARKING		
	Reel		
	Part Number		
	Quantity	Tray	
	Lot and/or Date Code	X	cm
	Shipping Box	Dimensions	
	Part Number	Y	cm
	Customer PN (if required)	Z	cm
	Quantity	Quantity	
	Quantity	Shipping Box	
	Lot and/or Date Code	X	41 cm
	PO Number	Y	30 cm
	Net Weight	Z	57 cm
	Gross Weight	Number of Trays	9
	Box Number of Boxes	Quantity	1053
	Approximate Weight	10 Kg	
	Made in	China	

Revision	Description	By:	Date: