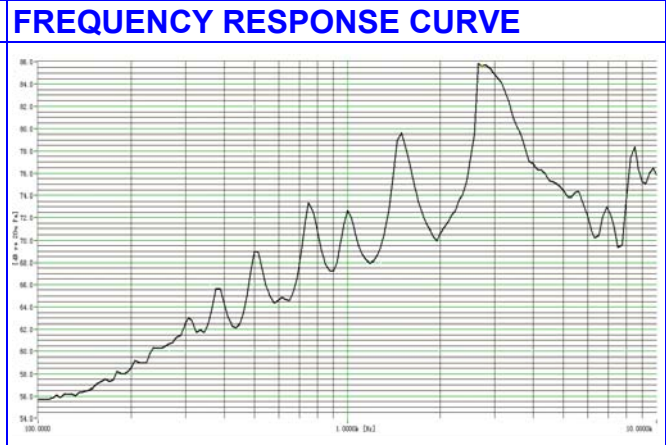
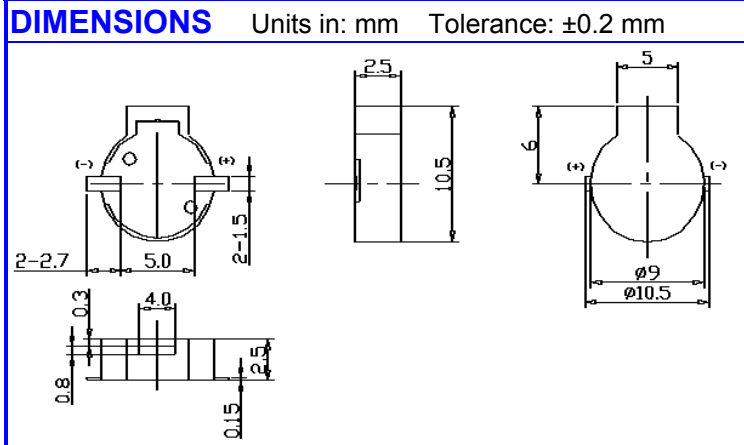
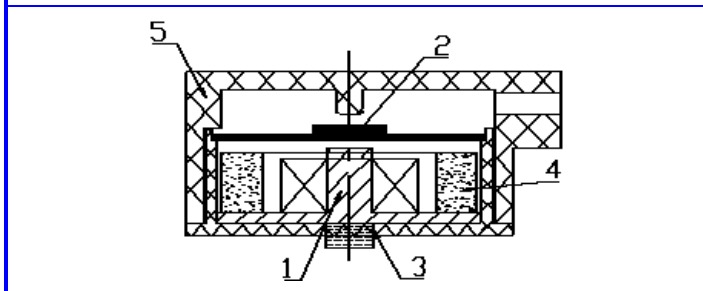




PRODUCT INFORMATION							
PART #:		CEET105A025-16-2545-27MLR				Revision: 2-2017	
		Electromagnetic Sound Transducer					
DESCRIPTION				FEATURES			
Challenge Electronics Electromagnetic Transducer; 10.5 mm Length; A style case (Round case w/Side Port); 2.5 mm High; 2.5 to 4.5Vo-p Operating Voltage; 2700 Hz. Resonant Frequency; minimum Sound output of 85 dB(A) min at 10 cm at Rated Voltage; SMD Termination, RoHS, Lead Free Reach Compliance				<ul style="list-style-type: none"> • RoHS, Lead Free Compliant • REACH Compliant • ISO 9001 Certified 			
SPECIFICATIONS							
Operating Voltage		2.5-4.5 Vo-p	Nominal Rated Voltage	3.6 Vo-p	Resonant Frequency	2,700 Hz.	
Sound Pressure Level		Minimum 85 dB(A), at: 10 cm, Resonant Frequency, Nominal rated Voltage, Square Wave 50% Duty Cycle					
Operating Current		Maximum 100 mA, at: Resonant Frequency, Nominal rated Voltage, Square Wave					
Operating Temperature		-40°C to +85°C	Storage Temperature	-40°C to + 85°C	Coil Impedance	16 ±3 Ω	
Material	Housing		Plastic, LCP Vectra E130i or equal		Sound Port Direction	Side	
	Diaphragm		Iron		Encapsulation		-
	Termination		SMD				
Physical Dimensions		Length (L)	10.5 mm ±0.5 mm	Width (W)	9.0 mm ±0.5 mm	Height (H)	2.5 mm ±0.5 mm
Approximate Weight		0.7 grams	Removable Washing Label	No	Compliance	RoHS, Lead Free and REACH	
Packaging							
RELIABILITY							
Thermal Operating Temperature Test		96 hours continuous operation at Rated Voltage, at Maximum Rated Operating Temperature *					
Thermal Storage Temperature Test		96 hours storage at Maximum Rated Storage Temperatures *					
Thermal Shock Test		5 cycles of Minimum and Maximum Operating Temperature Each cycle shall be set per diagram and is 3 hours long *					
Humidity Test		140 Hours at +40°C±2°C, 90-95% RH *					
Insulation Test		A minimum of 10 MΩ, measured with 100 Vdc Insulation Resistance Meter, between the Electrical Terminals and the Transducer Case					
Vibration Test		2 Hours of at 1.5 mm with 10 to 55 Hz. vibration frequency to each of 3 perpendicular directions *					
Termination Strength		Maximum of 9.8 N (1.0 Kg) load pull test, applied to each terminal in axial direction for 10 seconds					
Drop Test		Dropped naturally from 750 mm height onto the surface of 40 mm wooden board, 3 axes (X,Y,Z) directions, 3 times (9 times total) *					
* Reliability Test Performance		Parts should conform to original performance within ±3dB, after 3 hours of recovery period					
Operation Life Test	Continuous	Two hundred fifty (250) hours of continuous operation, at Rated Voltage, each at Minimum & Maximum Rated Operating Temperatures					
	Intermittent	One thousand (1,000) hours of: 1 minute ON 4 minutes OFF cycle, at Room Temperature, and Maximum Rated Voltage					
Warranty		For a period of one (1) year from date of shipping under normal operations conditions This warranty does not apply to products damaged through misuse, abuse, improper installation, alteration, rework, or attempt to repair					

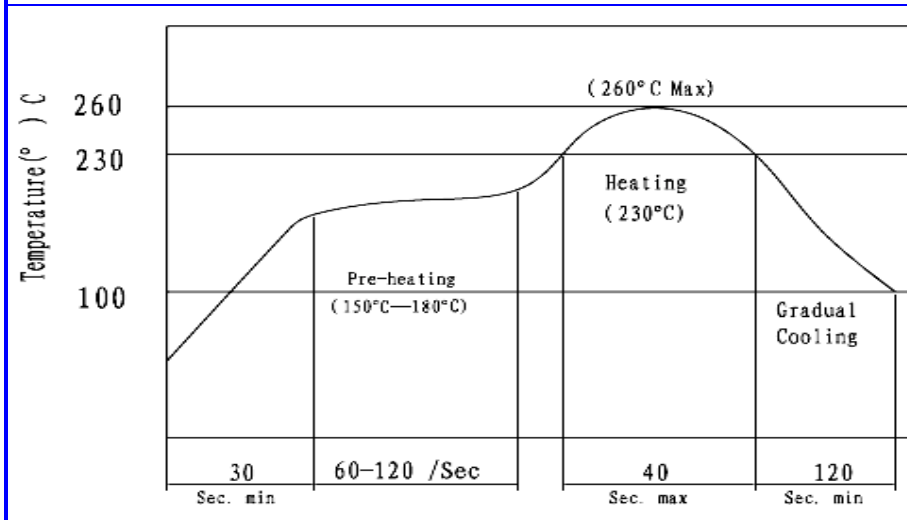


ASSEMBLY DIAGRAM



5	Cover	1	LCP
4	Magnet	1	Ferrite
3	Case	1	LCP
2	Diaphragm	1	Iron
1	Coil Part	1	Copper And Iron
Part No.	Part Name	Q'TY	Material

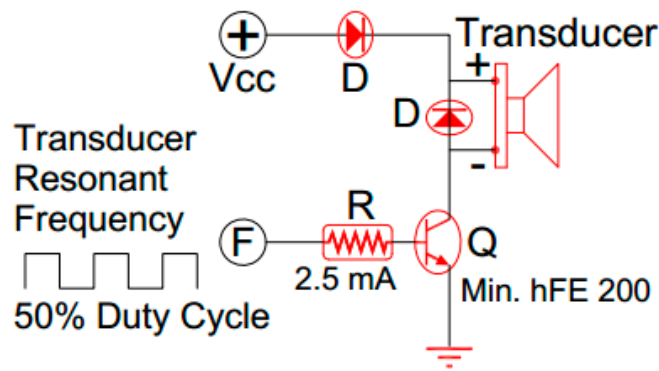
SOLDER REFLOW PROFILE



Stage	Temperature Profile	Maximum Time
Pre-heat	150~180°C	120 sec
Solder Melt	Above 230°C	40 sec
Peak	260°C Maximum	
Cool Down		120 sec
Total Duration Period		



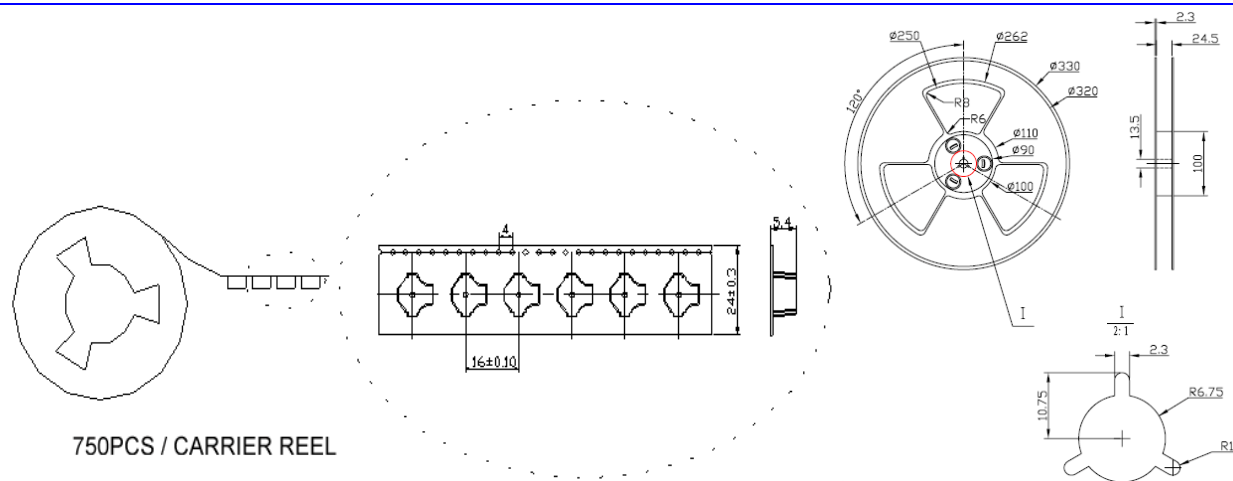
RECOMMENDED CIRCUIT DRIVE



The diodes are recommended to protect the power supply from noise interference produced by the transducer coil.

1. Shelf life: Twelve (12) months when devices are to be stored in factory supplied unopened ESD moisture sensitive bag under maximum environmental conditions of 30°C, 70% R.H.
2. Exposure: Devices should not be exposed to high humidity high temperature environment. MSL (moisture sensitivity level) Class 2

TAPE and REEL INFORMATION



750PCS / CARRIER REEL

SUBSTANCE OF VERY HIGH CONCERN

This product does NOT contain any of the REACH Substances of Very High Concern (SVHC), and is in compliance with European Union REACH Regulation No.1907/2006 regarding chemical substances which must be registered or disclosed.

	MARKING		Reel	
	Reel		Reel Diameter	
	Part Number		Quantity	
	Quantity		750	
	Lot and/or Date Code		Bundle	
	Shipping Box		Dimensions	
	Part Number		X	34.3 cm
	Customer PN (if required)		Y	34.3 cm
	Quantity		Z	29.0 cm
	Quantity		Shipping Box	
	Lot and/or Date Code		X	35.8 cm
	PO Number		Y	35.8 cm
	Net Weight		Z	61.5 cm
	Gross Weight		Number of Bundles	
Box Number of Boxes		Quantity		
		Approximate Weight		
		2		
		7500		
		Kg		
Made in		China		
Revision	Description	By:	Date:	
1-2017	Updated Operating Temperature	JL	7/21/17	
2-2017	Updated Port Location (changed to 'Side')	WS	9/20/17	