



PRODUCT INFORMATION



PART #: CEET090B040-20-306-27PR

Revision: 0-2010

Electro-Magnetic Transducer



DESCRIPTION:

Electro-Magnetic Transducer, Operating Voltage 4.0V, Resonant Frequency of 2730Hz, $20 \pm 3\Omega$ Coil Impedance, Sound Pressure level minimum of 86dB(A), at 4.0 Vpp, at 10 cm.

FEATURES:

- RoHS, Lead Free Compliant
- ISO 9001 & TS16949 Certified

SPECIFICATIONS:

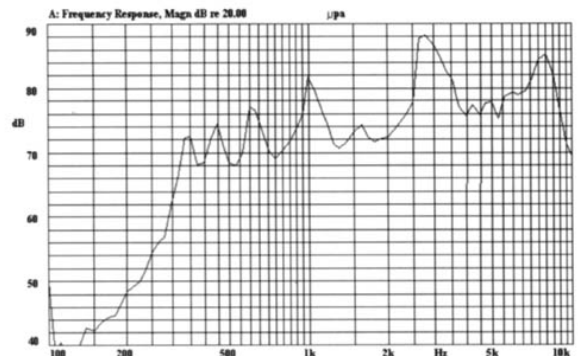
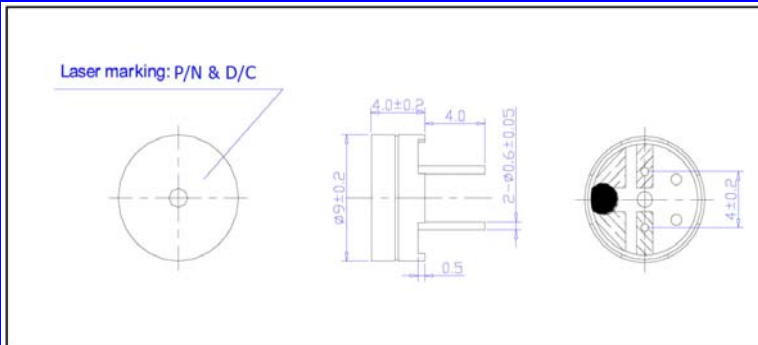
Resonant Frequency:	2730 Hz.	Coil Impedance:	20± 3 Ohms			
Operating Voltage:	3- 6Vpp	Nominal Rated Voltage:	4.0 Vpp			
Sound Pressure Level:	86dB(A), at: Nominal rated Voltage, Resonant Frequency, 10 cm					
Operating Current:	100mA, at: Nominal rated Voltage, Resonant Frequency					
Operating Temperature:	-20°C to +70 °C	Storage Temperature:	-30°C to + 80°C			
Termination:	Pin, Sn plated copper					
Material:	Housing	Noryl		Color:	Black	
	Diaphragm:					
Physical Dimensions:	Length or Diameter (L /D):	9.0mmφ	Width (W):	mm	Height (H):	4.0mm
Compliance:	RoHS, Lead Free	Removable Washing Label:	No	Weight:	1.0grams	
Packaging:	150pcs per Styrofoam try, 7500 per Carton.					

RELIABILITY: Parts should conform to original performance within ± 5 dB, after 3 hours of recovery period.

Thermal Operating Cycle Test:	96 hours continuous operation each at minimum & maximum rated Operating Temperatures with Nominal Power on.
Thermal Storage Cycle Test:	96 hours each at minimum & maximum rated Storage Temperatures, NO power applied
Thermal Shock Test:	Put in minimum operating temperature for 1 hour than move to +20°C for 5 min. than at maximum operating temperature for 1 hour. Then back to +20°C 5 min. Repeat for 5 cycles.
Humidity Test:	96 Hours at +60°C ± 2 °C. 90-95% RH
Vibration Test:	Two (2) Hours at 0.75mm with 10 to 55Hz. of vibration frequency to each of 3 perpendicular directions
Termination Strength:	Maximum of 9.8 N load pull test, applied to each terminal in axial direction for 10 second
Drop Test:	Dropped naturally from 700mm height onto the surface of 10mm wooden board, 2 directions— upper and side of the part are applied
Life Test:	96 hours continuous operation each at minimum & maximum rated Operating Temperatures, and, 96 hours of a 1 minute on 4 minutes off cycle at room temperature and maximum rated voltage.
Warranty:	For a period of one (1) year from date of manufacture under normal operating conditions

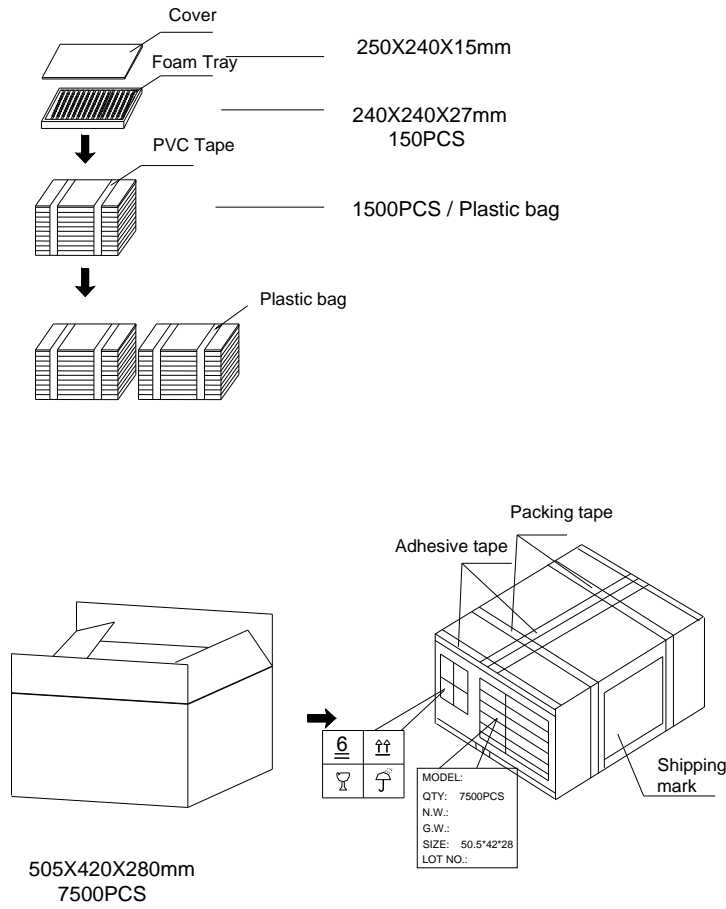
Dimensions: Units in: mm Tolerance: ± 0.5 mm

Frequency Response:





Packaging:



Notes:

- 1.
- 2.
- 3.
- 4.
- 5.
- 6.