



PRODUCT INFORMATION

PART #	CEET250B125-36-308-07P10.2LHR	Revision: 0-2015
---------------	--------------------------------------	-------------------------

	<h2 style="color: blue;">Electro-Magnetic Sound Transducer</h2>
--	---

DESCRIPTION	FEATURES	
Challenge Electronics Electro-Magnetic Transducer, 25.0 mm Diameter, B type case (TOP Sound Port with PCB standoffs), 12.5 mm High, 36 Ohms Coil Impedance, 3 to 8 Vop operation, minimum SPL of 85 dB(A) at: Rated Voltage, 10 cm, 730 Hz. resonant Frequency, PC Pins 10.2 mm spacing Termination, washing Label, RoHS Lead Free Compliance	<ul style="list-style-type: none"> ● High Sound Pressure Level ● Washable ● RoHS, Lead Free Compliant ● ISO 9001 	

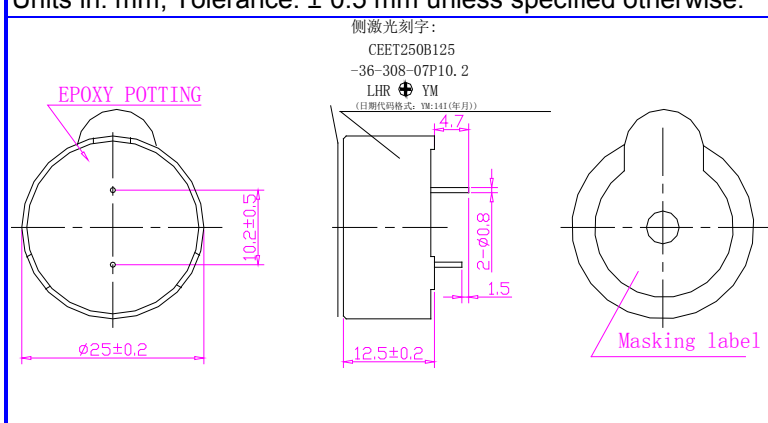
SPECIFICATIONS										
Operating Voltage	3.0 – 8.0 Vop	Rated Voltage	6.0 Vop	Resonant Frequency	730 Hz.	Coil Resistance	36 ± 5 Ohms			
Sound Pressure Level	Min. 85 dB(A), at: Rated Voltage, 10 cm, Resonant Frequency, Square Wave, 50% Duty Cycle									
Operating Current	70 mA, at: Rated Voltage, Resonant Frequency, Square Wave, 50% Duty Cycle									
Operating Temperature	-40°C to + 85°C			Storage Temperature	-40°C to +85°C					
Material	Case	B Style, Plastic, Noryl or equal, Black, Black				Sound Port	Top			
	Encapsulation	Epoxy Potting								
	Termination	PC Pins, 0.8 mm Diameter, Brass, Sn plated, Positive Pin 4.7 mm Long, Negative Pin 3.2 mm Long								
Physical Dimensions	Length or Diameter (L/D)	25.0 mm Ø	Width (W)		Height (H)	12.5 mm	Pins Spacing	10.2 mm		
Approximate Weight	10 grams	Removable Washing Label	Yes	Compliance	Lead Free, RoHS					

RELIABILITY		
Thermal Operating Temperature Test	240 hours continuous operation at Rated Voltage , at Maximum Rated Operating Temperature *	
	240 hours continuous operation at Rated Voltage , at Minimum Rated Operating Temperature *	
Thermal Storage Temperature Test	96 hours storage at Maximum Rated Storage Temperatures *	
	96 hours storage at Minimum Rated Storage Temperatures *	
Thermal Shock Test	<p>5 cycles of Minimum and Maximum Operating Temperature</p> <p>Each cycle shall be set per diagram below and is three (3) hours long *</p> <div style="text-align: center;"> </div>	
Humidity Test	240 Hours at +40°C±2°C. 90-95% RH *	
Insulation Test	A minimum of 10 MΩ, measured with 100 Vdc Insulation Resistance Meter, between the Electrical Terminals and the Transducer Case	
Vibration Test	2 Hours of at 1.5 mm with 10 to 55 Hz. vibration frequency to each of 3 perpendicular directions *	
Termination Strength	Maximum of 9.8 N (1.0 Kg) load pull test, applied to each terminal in axial direction for 10 seconds	
Drop Test	Dropped naturally from 750 mm height onto the surface of 40 mm wooden board, 3 axes (X,Y,Z) directions, 3 times (6 times total) *	
Solderability	Terminal leads are immersed in rosin for 5 seconds and then immersed in solder-bath of +270°C for 3±1 seconds	
Soldering Heat Resistance	Terminal leads are immersed, up to 1.5 mm from part case, in rosin for 5 seconds and then immersed in solder-bath of +350±5°C for 3±0.5 seconds or +260±5°C for 10±1 seconds	
* Reliability Test Performance	Parts should conform to original performance within ±3dB, after 3 hours of recovery period	
Operation Life Test	Continuous	240 hours of continuous operation, at Rated Voltage, each at Minimum & Maximum Rated Operating Temperatures
	Intermittent	One thousand (1,000) hours of: 1 minute ON 4 minutes OFF cycle, at Room Temperature, and Rated Voltage
Warranty	For a period of one (1) year from date of shipping under normal operations conditions This warranty does not apply to products damaged through misuse, abuse, improper installation, alteration, rework, or attempt to repair	

The information contained herein is believed to be correct, but no guarantee or warranty, express or implied, with respect to accuracy, completeness or results is extended and no liability is assumed. Challenge Electronics reserves the right to make changes in any specification, data or material contained herein.

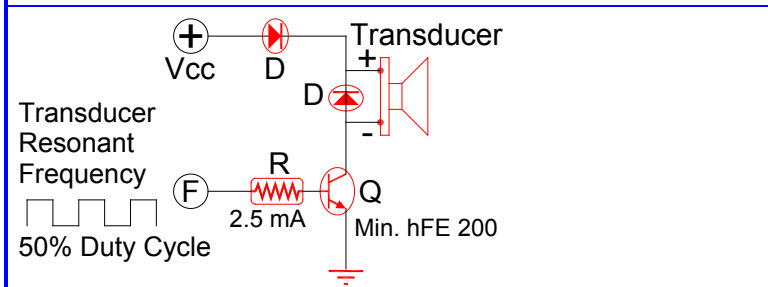


DIMENSIONS
Units in: mm, Tolerance: ± 0.5 mm unless specified otherwise.



SPL vs. FREQUENCY RESPONSE

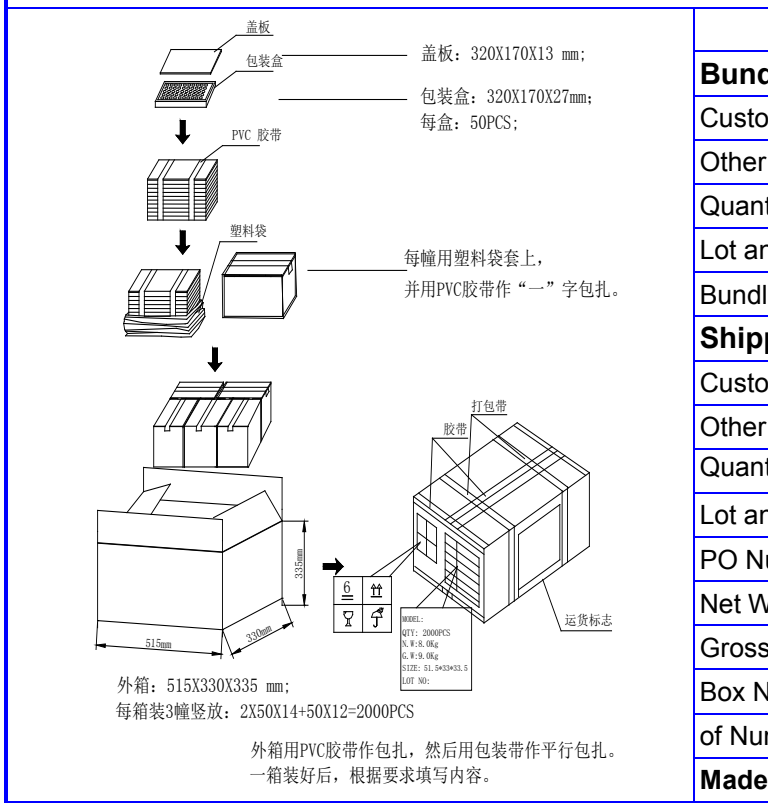
RECOMMENDED CIRCUIT DRIVE



SUBSTANCE OF VERY HIGH CONCERN (SVHC)

This product does NOT contain any of the REACH Substances of Very High Concern (SVHC), and is in compliance with European Union REACH Regulation No.1907/2006 regarding chemical substances which must be registered or disclosed.

PACKAGING



MARKING		TRAY	
Bundle	Dimensions	X1	cm
Customer PN		Y1	cm
Other PN (if required)		Z1	cm
Quantity	Quantity		
Lot and/or Date Code	BUNDLE		
Bundle Number	Dimensions	X2	cm
Shipping Box		Y2	cm
Customer Part Number		Z2	cm
Other PN (if required)	Quantity		
Quantity	SHIPPING BOX		
Lot and/or Date Code	Dimensions	X3	51.5cm
PO Number		Y3	33cm
Net Weight		Z3	33.5cm
Gross Weighjt	Number of Bundles		2,000
Box Number	Quantity		
of Number of Boxes	Approximate Weight		
Made in China			

The information contained herein is believed to be correct, but no guarantee or warranty, express or implied, with respect to accuracy, completeness or results is extended and no liability is assumed. Challenge Electronics reserves the right to make changes in any specification, data or material contained herein.
CE-EG-04.400ET ElectroMagnetic SMD Sound Transducer Specifications



Challenge Electronics
95 East Jefryn Boulevard
Deer Park, NY 11729

Tel: 1-800-722-8197
1-631-595-2217
Fax: 1-631-667-5484

EMAIL: SALES@CHALLELEC.COM
WEB: WWW.CHALLENGEELECTRONICS.COM
ISO 9001:2008 Certified

Revision	Description	By	Date

The information contained herein is believed to be correct, but no guarantee or warranty, express or implied, with respect to accuracy, completeness or results is extended and no liability is assumed. Challenge Electronics reserves the right to make changes in any specification, data or material contained herein.