

Description

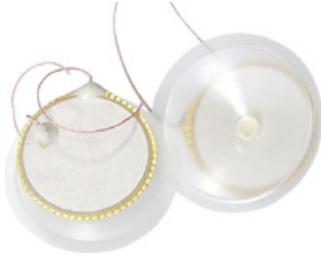
CPD30A10-4.5-W70R:

Challenge Piezo element with Diaphragm 30mm diameter, type A (=8.0mm height) – 4.5KHz resonant frequency – Wire length 70mm, RoHS compliant

◆ **RoHS compliant**

- ◆ Reliable Solid State Piezoelectric Technology
- ◆ High Sound Output
- ◆ Light

Picture



Specification

Resonant Frequency
Resonant Impedance
Capacitance at 100Hz
Input Voltage
Insulated Resistance
Operating Temperature
Storage Temperature
Termination
Construction Materials

Weight (Typical)
Reliability

Description
Case
Diaphragm

*High Temperature
*Low Temperature
*Humidity
*Thermal Shock

*Vibration

*Shock

*Drop Test

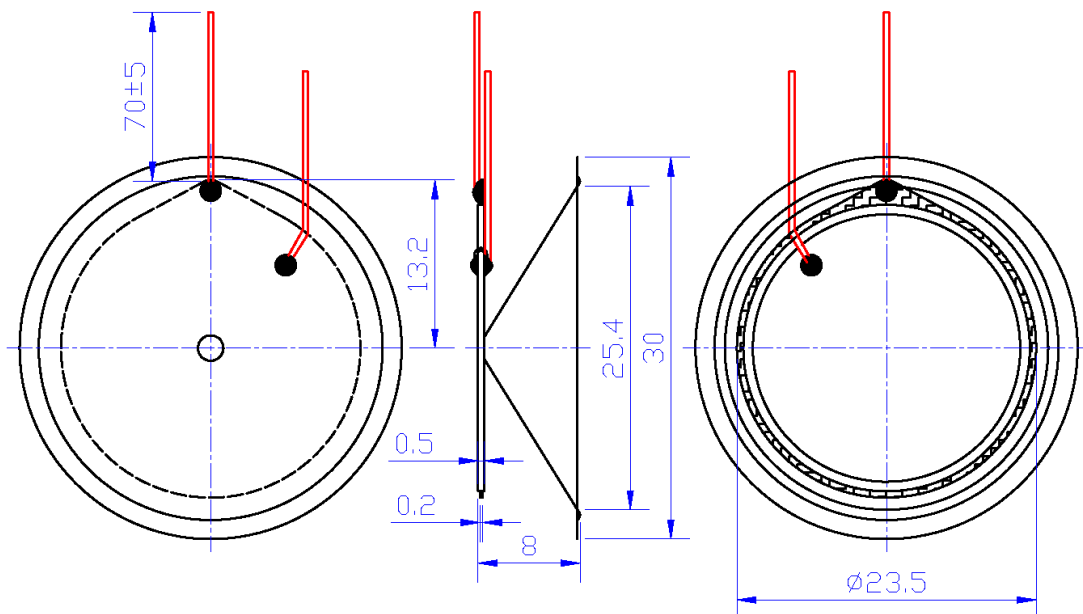
*Soldering Heat Resistance

4500+/-500Hz
100 Max. ohm
90,000+/-30% pF at 100Hz 25 °C
30Vp-p Max., square wave
50M ohm Min.
-20 °C to +70 °C
-30 °C to +80 °C
Braided wires
No
Mylar cone
1.4 g
no function at +80+/-2 °C for 240 hours, function at +70+/-2 °C for 240 hours,
no function at -30+/-2 °C for 240 hours, function at -20+/-2 °C for 240 hours,
+40+/-2 °C, 95+/-5%RH, 240 hours
-20+/-2 °C 0.5 hr → +25+/-2 °C 0.25 hr → +70+/-2 °C 0.5 hr → +25+/-2 °C 0.25 hr.
Temperature Go up or Drop time is 0.5 hr. 3 hrs per 1 cycle. Total is 5 cycles
1.5mm with 10 to 50Hz of vibration frequency to each of 3 perpendicular directions for 2 hours
980m/s²(=100g) shock for each mutually perpendicular directions, half sine wave, 3 times each
Dropped naturally from 750mm height onto the surface of 10mm wooden board. 2 directions – upper and side of the part are applied
Soldering Temperature: 260 °C for 3 seconds

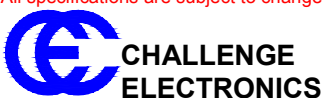
Warranty

*All specifications must be satisfied after the test (Recovery:2 to 4 hrs of recovery under the standard condition after the removal from test chamber).

Dimensions (Unit:mm, Tolerance: +/-0.3mm)



All specifications are subject to change without notice



95 E. Jeffryn Boulevard
Deer Park, New York 11729
Tel (631) 595-2217 Tel (800) 722-8197
Fax (631) 586-5899