

Description

CPD48A10-2.3-W50R:

Challenge Piezo element with Diaphragm 47.6(<48)mm diameter, type A (=9mm height) – 2.3KHz resonant frequency – braided Wire length 50mm, RoHS compliant

◆ **RoHS compliant**

- ◆ Reliable Solid State Piezoelectric Technology
- ◆ High Sound Output
- ◆ Key Part of High Sound Output Piezo Sounder

Picture



Specification

Resonant Frequency
Resonant Impedance
Capacitance at 100Hz
Input Voltage
Insulated Resistance
Operating Temperature
Storage Temperature
Termination
Construction Materials

Weight (Typical)
Reliability

Description
Case
Diaphragm

*High Temperature
*Low Temperature
*Humidity
*Thermal Shock

*Vibration

*Shock

*Drop Test

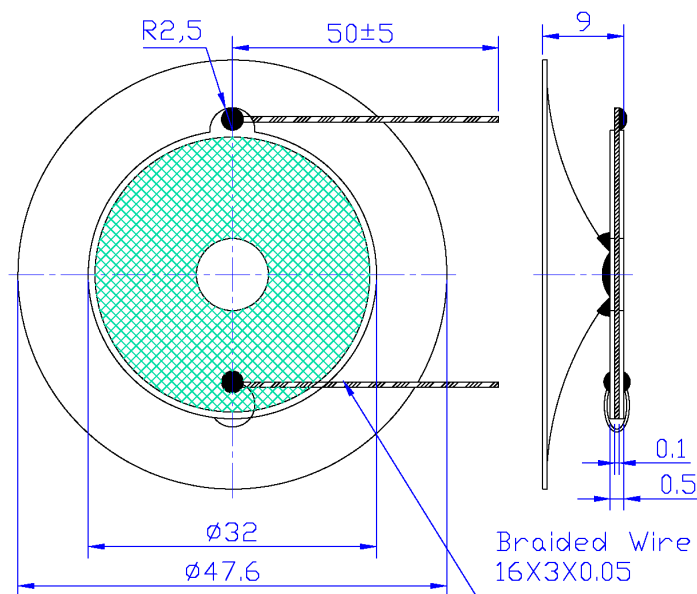
*Soldering Heat Resistance

2,300+/-500Hz
100 Max. ohm
240,000+/-30% pF at 100Hz 25 °C
30Vp-p Max., square wave
50M ohm Min.
-20 °C to +70 °C
-30 °C to +80 °C
Braided wires
No
PEI
3.2 g
no function at +80+/-2 °C for 240 hours, function at +70+/-2 °C for 240 hours,
no function at -30+/-2 °C for 240 hours, function at -20+/-2 °C for 240 hours,
+40+/-2 °C, 95+/-5%RH, 240 hours
-20+/-2 °C 0.5 hr → +25+/-2 °C 0.25 hr → +70+/-2 °C 0.5 hr → +25+/-2 °C 0.25 hr.
Temperature Go up or Drop time is 0.5 hr. 3 hrs per 1 cycle. Total is 5 cycles
1.5mm with 10 to 50Hz of vibration frequency to each of 3 perpendicular directions for 2 hours
980m/s²(=100g) shock for each mutually perpendicular directions, half sine wave, 3 times each
Dropped naturally from 750mm height onto the surface of 10mm wooden board. 2 directions – upper and side of the part are applied
Soldering Temperature: 260 °C for 3 seconds

Warranty

*All specifications must be satisfied after the test (Recovery:2 to 4 hrs of recovery under the standard condition after the removal from test chamber).

Dimensions (Unit:mm, Tolerance: +/-0.3mm)



All specifications are subject to change without notice



95 E. Jeffryn Boulevard
Deer Park, New York 11729
Tel (631) 595-2217 Tel (800) 722-8197
Fax (631) 586-5899