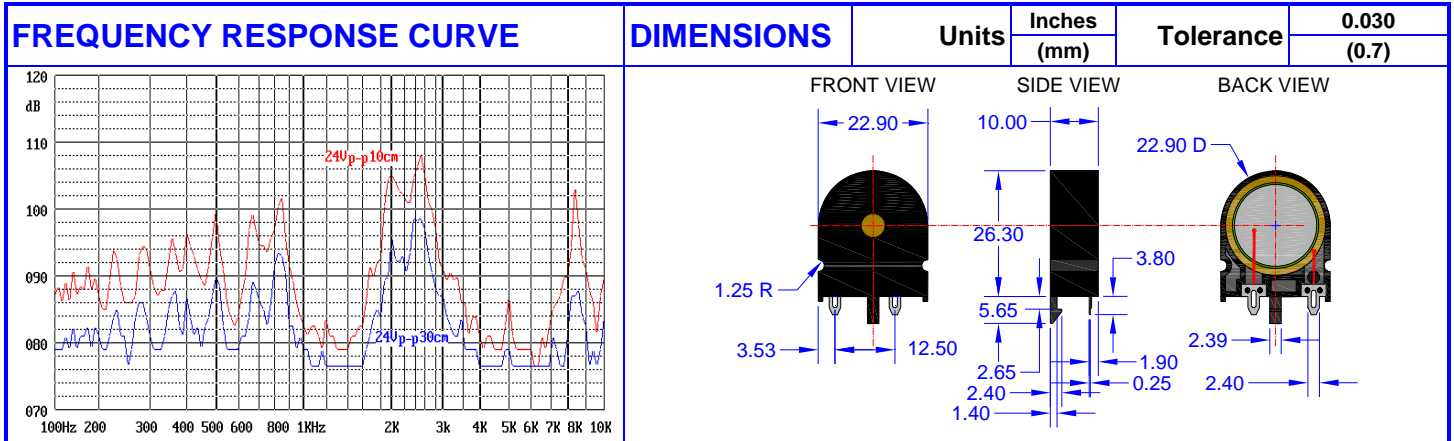




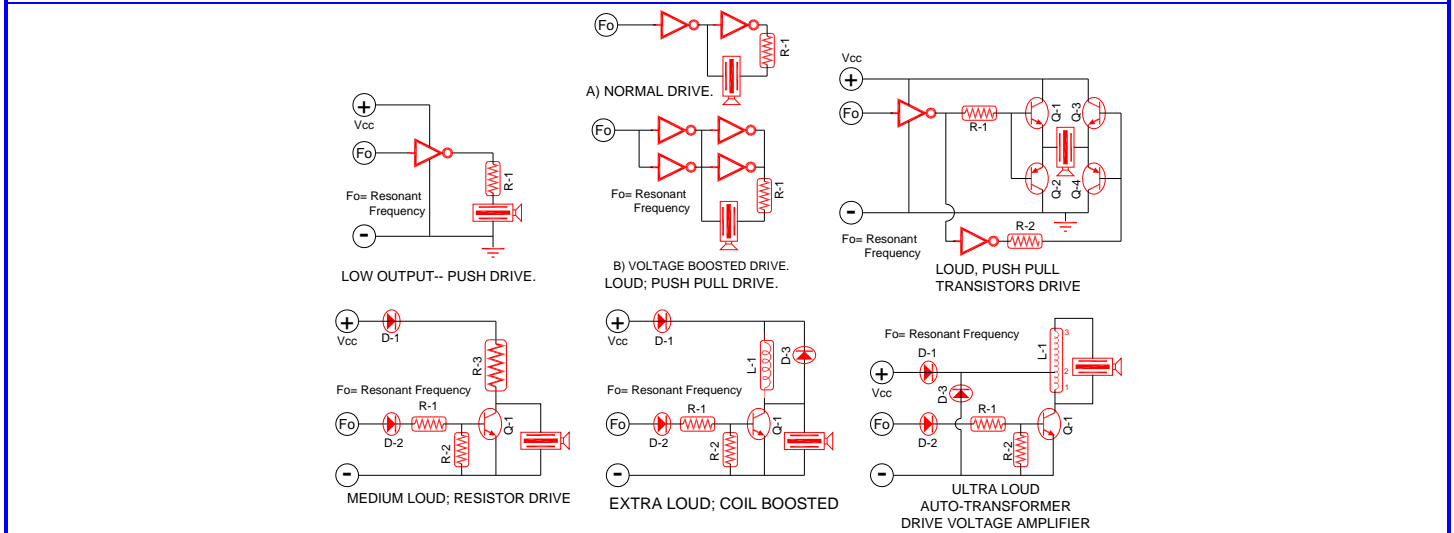
PRODUCT INFORMATION

Part Number	CEPT229P273-200PR				Revision	1-2012		
	Piezoelectric Transducer							
DESCRIPTION		FEATURES						
Challenge Electronics Piezoelectric Transducer, 22.9 mm diameter, :P Style case (Vertical, Round with standoffs and Side Sound Port), 26.3 mm high, PCB Mounted, 1 to 30 Vpp, 2,000 Hz. Resonant Frequency, Minimum 100 dB(A) at 10 cm 24 Vp-p, Resonant Frequency, 2 PC Pins 15.0 mm apart termination, RoHS Compliant		♦ RoHS Compliance ♦ ISO 9001 Certified						
SPECIFICATIONS								
Operating Voltage	1 to 30 Vp-p	Nominal Operating Voltage	24 Vp-p	Resonant Frequency (Fo)	2,000 ± 500 Hz.			
Sound Pressure Level	Minimum 100 dB(A), at: 10 cm, Rated Voltage, Resonant Frequency, Square Wave, 50% Duty Cycle							
Maximum Current	10 mA, at: Rated Voltage, Resonant Frequency, Square Wave, 50% Duty Cycle							
Capacitance	30,000 ± 30% pFD , at 100 Hz.	Operating Temperature	-30°C to +85°C	Storage Temperature	-40°C to +90°C			
Materials	Alarm Case	Plastic, "P" Case, Noryl™, PX9406 or equal, flame retardant UL 94-V0, Black			Sound Port Direction	Side		
	Diaphragm	Ni Alloy Disc N42		Encapsulation	None			
	Termination	Two 2 PC Pins, 2.4 mm X 0.25 mm, Brass, Electro-Tin plated						
Physical Dimensions	Length or Diameter (L/D)	22.9 mm Ø	Width (W)		Height (H)	26.3 mm	PC Pins Spacing	12.5 mm
Approximate Weight	10 grams	Removable Washing Label	No	Compliance	RoHS			
Options								
RELIABILITY								
Peak Operating Voltage and Temperature	Test part operation at 30 Vdc for 2 hours at 85°C							
Thermal Operating Temperature Test	96 hours continuous operation at Rated Power, at Maximum Rated Operating Temperature *							
Thermal Storage Temperature Test	96 hours storage at Maximum Rated Storage Temperatures *							
Thermal Shock Test	Parts are subjected to 5 cycles of Minimum and Maximum Operating Temperature Each cycle shall be set per diagram below and is 3 hours long *				SINGLE CYCLE 			
Humidity Test	120 Hours at +60°C ± 2°C. 90-95 % RH *							
Salt Spray	Withstand exposure to salt spray per ASTM B117 for a period of 300 hours *							
Environmental Exposure	Dust, water, salt, dust-control agents, moisture-control agents, detergents, degreasers, diesel fuel, hydraulic fluid per IP-68 *							
Vibration Test	2 Hours at 1.5 mm with 10 to 55 Hz. of vibration frequency to each of 3 perpendicular direction *							
Drop Test	Dropped naturally from 1 meter height onto the surface of 10 mm wooden board, 2 directions upper and side of the part are applied *							
Termination Strength	Maximum of 15 pounds (6.8 Kg) load pull test.							
* Reliability Test Performance	After 3 hours cooling time, Parts should conform within ± 3 dB(A) to original performance							
Life Test	Intermittent	1,000 hours of a 1 minute on 4 minutes off cycle at room temperature and Nominal Rated Voltage						
	Continuous	250 hours continuous operation at room temperature and Nominal Rated Voltage						
Warranty	For a period of one (1) year from date of shipping under normal operations conditions This warranty does not apply to products damaged through misuse, abuse, improper installation, alteration, rework, or attempt to repair							

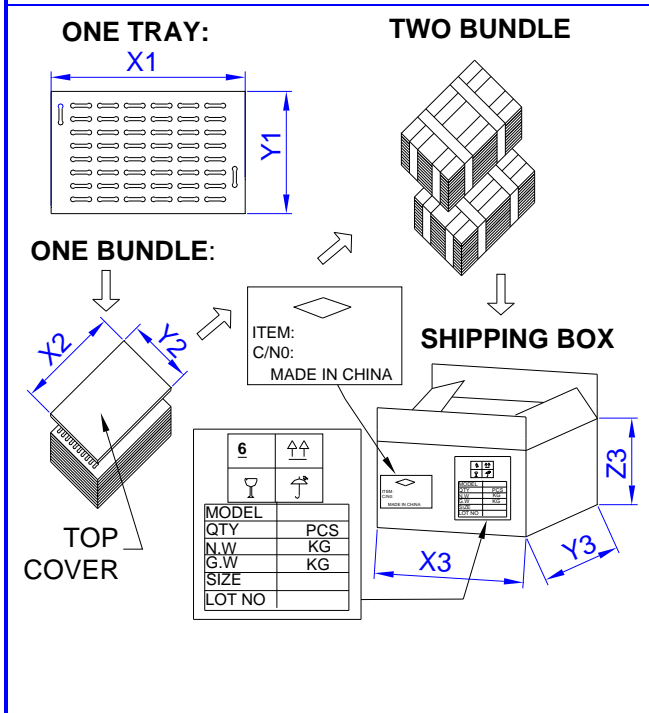
The information contained herein is believed to be correct, but no guarantee or warranty, express or implied, with respect to accuracy, completeness or results is extended and no liability is assumed.
 Challenge Electronics reserves the right to make changes in any specification, data or material contained herein.



DRIVING CIRCUIT APPLICATIONS



PACKAGING



MARKING	TRAY		
Bundle			
Customer PN	Dimensions	X1 cm	
Other PN if required		Y1 cm	
Quantity	Quantity	Z1 cm	
Lot and/or Date Code			
Bundle Number	BUNDLE		
Shipping Box	Dimensions	X2 cm	
Customer Part Number		Y2 cm	
Other PN (if required)		Z2 cm	
Quantity	Quantity		
Lot and/or Date Code		SHIPPING BOX	
PO Number		Dimensions	X3 cm
Net Weight	Y3 cm		
Gross Weight	Number of Bundles	Z3 cm	
Box Number			
of Number of Boxes	Quantity		
Made in China	Approximate Weight		

The information contained herein is believed to be correct, but no guarantee or warranty, express or implied, with respect to accuracy, completeness or results is extended and no liability is assumed.
 Challenge Electronics reserves the right to make changes in any specification, data or material contained herein.