

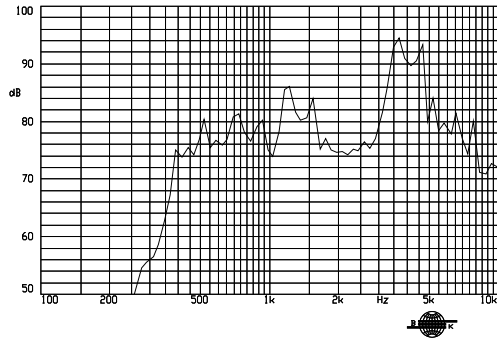


PRODUCT INFORMATION

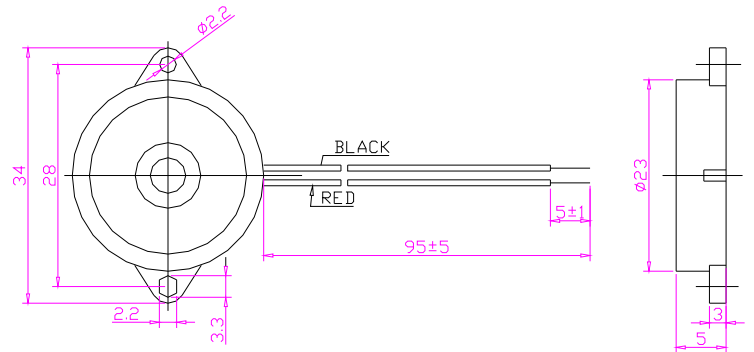
PART #:		CEPT230I050-130-10-40W95R						Revision: 0-2012		
		Piezoelectric Sound Transducer								
DESCRIPTION				FEATURES						
Challenge Electronics Piezoelectric Transducer; 23.0 mm Diameter; I style case (Round with Flange Mounting); 5.0 mm High, 1-30 Vp-p; Nominal Voltage 10 Vp-p; 4,000 Hz. Resonant Frequency; Sound Pressure Level 90 dB(A) at: 10 cm, Nominal Voltage; Lead Wire, 95 mm length; RoHS Compliant				<ul style="list-style-type: none"> ● RoHS Compliant ● ISO 9001 Certified 						
SPECIFICATIONS										
Operating Voltage		1-30 Vp-p		Nominal Rated Voltage		10 Vp-p		Resonant Frequency		4,000 ± 500 Hz.
Sound Pressure Level		90 dB(A), at: Nominal rated Voltage, Resonant Frequency, 10 cm								
Operating Current		5 mA, at: Nominal rated Voltage, Resonant Frequency						Capacitance		24,000 ± 30% pFD
Operating Temperature		-20°C to +60°C		Storage Temperature		-30°C to +70°C				
Material	Housing		ABS				Sound Port		Top	
	Diaphragm		Brass				Encapsulation		Plastic Cap	
	Termination Wire leads, 28 AWG, UL 1095, 3.74" (95 mm) Long, Striped 0.197" (5.0 mm) Color Coded: Red = Positive; Black Stripe = Negative									
Physical Dimensions		Length	34.0 mm	Width (W)	23.0 mm Ø	Height (H)	5.0 mm	Mounting Spacing		28.0 mm
Approximate Weight		2.0 grams		Removable Washing Label		No	Compliance		RoHS	
Options										
RELIABILITY										
Thermal Operating Temperature Test		96 hours continuous operation at Rated Power , at Maximum Rated Operating Temperature *								
		96 hours continuous operation at Rated Power , at Minimum Rated Operating Temperature *								
Thermal Storage Temperature Test		240 hours storage at Maximum Rated Storage Temperatures *								
		240 hours storage at Minimum Rated Storage Temperatures *								
Thermal Shock Test		5 cycles of Minimum and Maximum Operating Temperature Each cycle shall be set per diagram below and is three (3) hours long *								
Humidity Test		120 Hours at +60°C ± 2°C, 90-95 % RH *								
Vibration Test		2 Hours at 1.5 mm with 10 to 55 Hz. of vibration frequency to each of 3 perpendicular direction *								
Drop Test		Dropped naturally from 700 mm height onto the surface of 10 mm wooden board, 2 directions— upper and side of the part are applied *								
Termination Strength		Maximum of 9.8 N load pull test, applied to each terminal in axial direction for 10 second								
Humidity Test		120 Hours at +60°C ± 2°C. 90-95 % RH *								
Solderability		Terminal leads are immersed in rosin for 5 seconds and then immersed in solder-bath of +270°C for 3±1 seconds								
Soldering Heat Resistance		Terminal leads are immersed, up to 1.5 mm from part case, in rosin for 5 seconds and then immersed in solder-bath of +350±5°C for 3±0.5 seconds or +260±5°C for 10±1 seconds								
* Reliability Test Performance		Parts should conform to original performance within ±3dB, after 3 hours of recovery period.								
Operation Life Test	Intermittent		One thousand (1,000) hours of: 1 minute ON 4 minutes OFF cycle, at Room Temperature, and Rated Voltage							
	Continuous		Two hundred fifty (250) hours of continuous operation, at Rated Voltage, each at Minimum & Maximum Rated Operating Temperatures							
Warranty		For a period of one (1) year from date of shipping under normal operations conditions This warranty does not apply to products damaged through misuse, abuse, improper installation, alteration, rework, or attempt to repair								



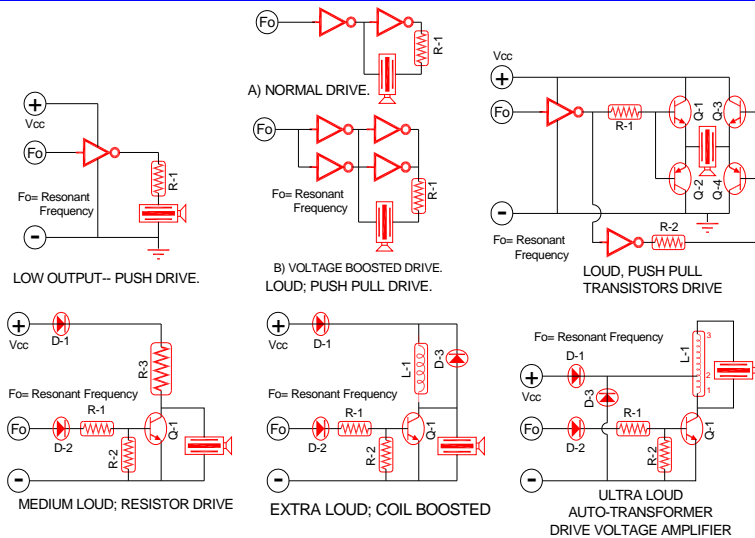
FREQUENCY REPOSE CURVE:



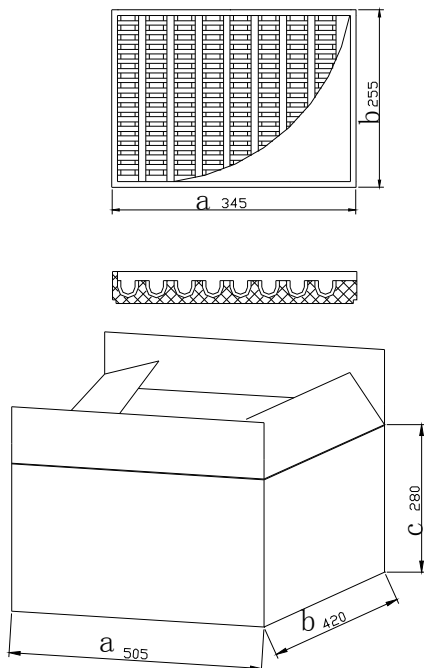
DIMENSIONS: Units in: mm Tolerance: $\pm 0.5\text{mm}$



DRIVING CIRCUIT APPLICATIONS



PACKAGING



MARKING	TRAY		
	Bundle	Dimensions	X1
Customer PN		Y1	25.5 cm
Other PN if required		Z1	0.8 cm
Quantity	Quantity		200
Lot and/or Date Code	BUNDLE		
Bundle Number	Dimensions	X2	cm
Shipping Box		Y2	cm
Customer Part Number		Z2	cm
Other PN (if required)	Quantity		
Quantity	SHIPPING BOX		
Lot and/or Date Code	Dimensions	X3	50.5 cm
PO Number		Y3	42 cm
Net Weight		Z3	28 cm
Gross Weight	Number of Bundles	2	
Box Number	Quantity	2,400	
of Number of Boxes	Approximate Weight		
Made in China			