
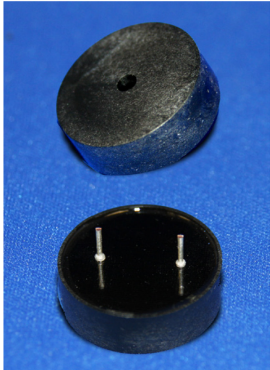
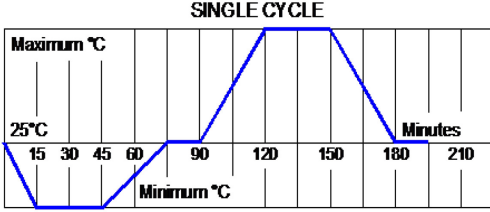
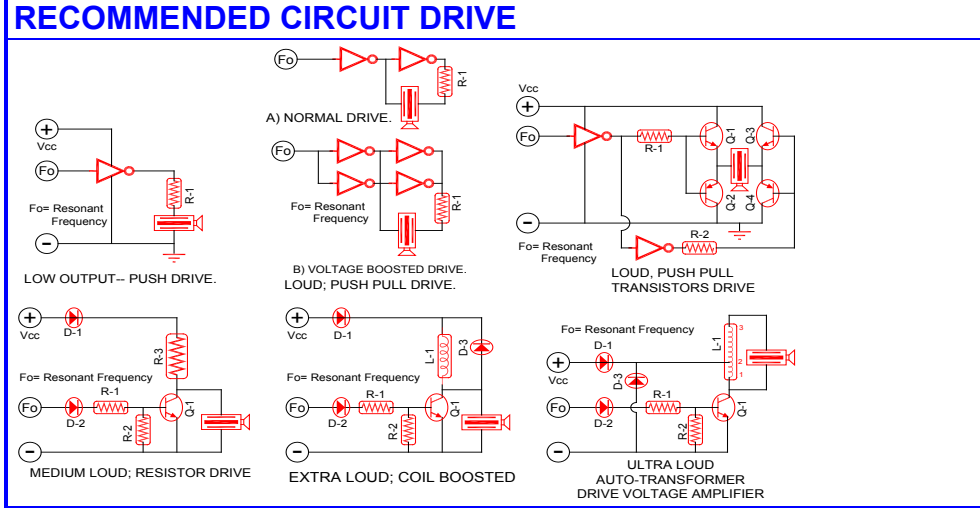
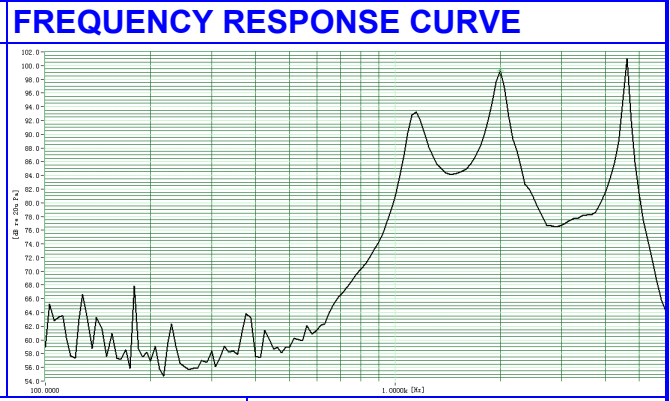
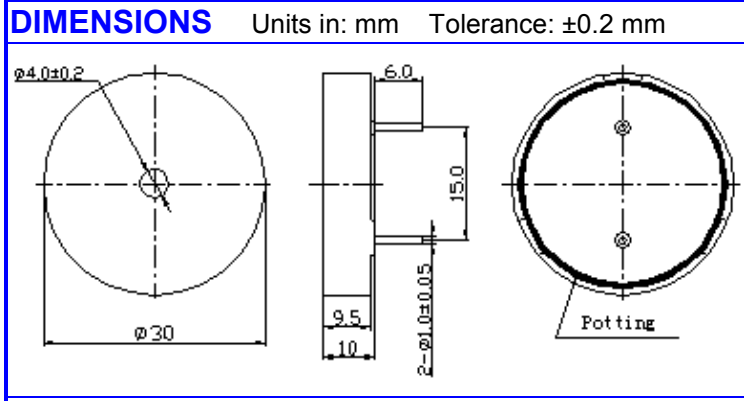


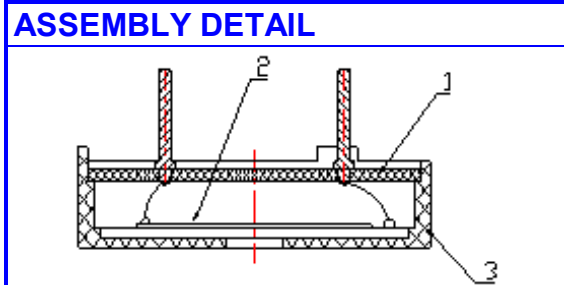


PRODUCT INFORMATION							
PART #:		CEPT300B100-330-20P15R			Revision: 0-2015		
		Piezoelectric Sound Transducer					
DESCRIPTION				FEATURES			
Challenge Electronics Piezoelectric Transducer; 30 mm Diameter; B style case (round w/standoff); 10 mm High; 3 to 30 Vp-p Operating Voltage; 2,000 Hz. Resonant Frequency; minimum Sound output of 90 dB(A) min at 10 cm at Rated Voltage; Pin Termination, RoHS, Lead Free and REACH Compliance				<ul style="list-style-type: none"> • RoHS, Lead Free Compliant • REACH Compliant • ISO 9001 Certified 			
SPECIFICATIONS							
Operating Voltage		3- 30 Vp-p	Nominal Rated Voltage	10 Vp-p	Resonant Frequency	2,000 ± 500 Hz.	
Sound Pressure Level		Minimum 90 dB(A), at: 10 cm, Resonant Frequency, Nominal rated Voltage, Square Wave 50% Duty Cycle					
Operating Current		Maximum 5 mA, at: Resonant Frequency, Nominal rated Voltage, Square Wave					
Operating Temperature		-30°C to +85°C	Storage Temperature	-40°C to +85°C	Capacitance	35,000 ± 30% pFD at 120 Hz. 1 Vrms	
Material	Housing		Plastic, LCP Vectra E130i or equal		Sound Port Direction		Top
	Diaphragm		Brass		Encapsulation		Potting
	Termination		Pin (2 Ø1.0 ±0.05 x 6.0 mm) Red Copper 15.0 mm spacing				
Physical Dimensions		Diameter (D)	30 mm ± 0.5 mm		Height (H)	10 mm ± 0.5 mm	
Approximate Weight		5.0 grams	Removable Washing Label	No	Compliance	RoHS, Lead Free and REACH	
Packaging		1000 PCS per box. Dimension: 31.5 x 31.0 x 19.5 cm					
RELIABILITY							
Thermal Operating Temperature Test		96 hours continuous operation at Rated Voltage, at Maximum Rated Operating Temperature *					
Thermal Storage Temperature Test		96 hours storage at Maximum Rated Storage Temperatures *					
Thermal Shock Test		5 cycles of Minimum and Maximum Operating Temperature Each cycle shall be set per diagram and is 3 hours long *					
Humidity Test		140 Hours at +40°C±2°C, 90-95% RH *					
Insulation Test		A minimum of 10 MΩ, measured with 100 Vdc Insulation Resistance Meter, between the Electrical Terminals and the Transducer Case					
Vibration Test		2 Hours of at 1.5 mm with 10 to 55 Hz. vibration frequency to each of 3 perpendicular directions *					
Termination Strength		Maximum of 9.8 N (1.0 Kg) load pull test, applied to each terminal in axial direction for 10 seconds					
Drop Test		Dropped naturally from 750 mm height onto the surface of 40 mm wooden board, 3 axes (X,Y,Z) directions, 3 times (9 times total) *					
* Reliability Test Performance		Parts should conform to original performance within ±3dB, after 3 hours of recovery period					
Operation Life Test	Continuous	Two hundred fifty (250) hours of continuous operation, at Rated Voltage, each at Minimum & Maximum Rated Operating Temperatures					
	Intermittent	One thousand (1,000) hours of: 1 minute ON 4 minutes OFF cycle, at Room Temperature, and Maximum Rated Voltage					
Warranty		For a period of one (1) year from date of shipping under normal operations conditions This warranty does not apply to products damaged through misuse, abuse, improper installation, alteration, rework, or attempt to repair					



STORAGE

1. Shelf life: Twelve (12) months when devices are to be stored in factory supplied unopened ESD moisture sensitive bag under maximum environmental conditions of 30°C, 70% R.H.
2. Exposure: Devices should not be exposed to high humidity high temperature environment. MSL (moisture sensitivity level) Class 2



Part	Name	Quantity	Description
1	PCB	1	Epoxy
2	Piezo Element	1	Brass
3	Housing	1	Black Noryl

SUBSTANCE OF VERY HIGH CONCERN

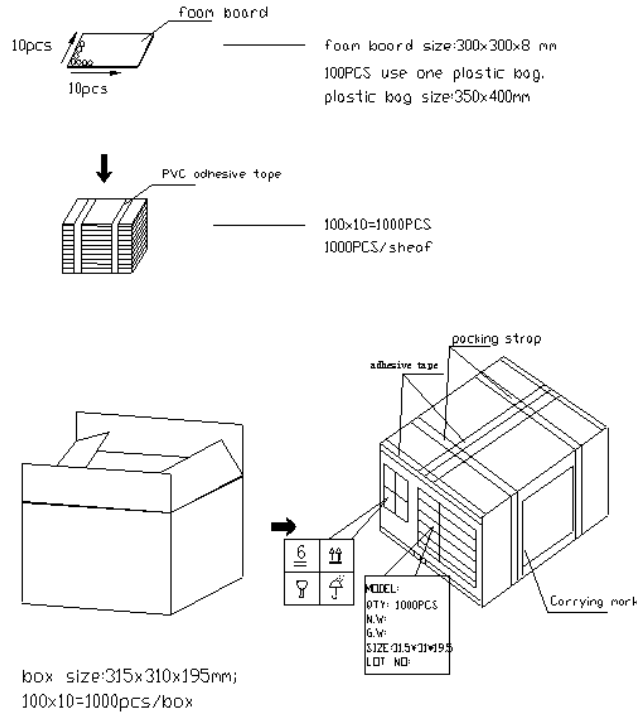
This product does NOT contain any of the REACH Substances of Very High Concern (SVHC), and is in compliance with European Union REACH Regulation No.1907/2006 regarding chemical substances which must be registered or disclosed.

SOLDERING INFORMATION

This product may be wave soldered, but not washed.



PACKAGING



MARKING		Foam Board	
Reel	Dimensions	X	30.0 cm
		Y	30.0 cm
		Z	0.8 cm
Part Number	Quantity	100	
Quantity	Bundle		
Lot and/or Date Code	Dimensions	X	
Shipping Box		Y	
Part Number		Z	
Customer PN (if required)	Quantity	1000	
Quantity	Shipping Box		
Lot and/or Date Code	Dimensions	X	31.5 cm
PO Number		Y	31.0 cm
Net Weight		Z	19.5 cm
Gross Weight	Number of Bundles	1	
Box Number of Boxes	Quantity	1000	
	Approximate Weight	Kg	
Made in			China

Revision	Description	By:	Date: