

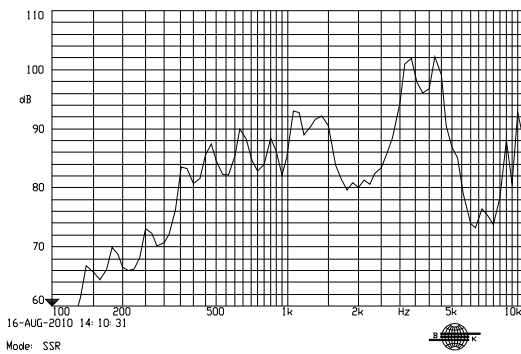


## PRODUCT INFORMATION

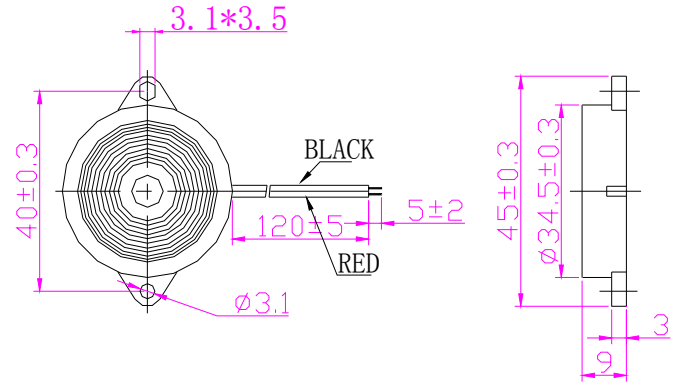
<b>PART #:</b>	<b>CEPT345I090-130-11W120R</b>						<b>Revision: 0-2012</b>		
	<h3>Piezoelectric Sound Transducer</h3>								
<b>DESCRIPTION</b>						<b>FEATURES</b>			
<p><b>Challenge Electronics Piezoelectric Transducer, 34.5 mm Diameter, I style case (Round with Flange Mounting), 9.0 mm High, 1-30 Vp-p 1,100 Hz. Resonant Frequency, Sound Pressure Level at 85 dB(A) at 10 cm and Nominal Voltage, Lead Wire, 120 mm length, RoHS Compliant</b></p>						<ul style="list-style-type: none"> <li>● <b>RoHS Compliant</b></li> <li>● <b>ISO 9001 Certified</b></li> </ul>			
<b>SPECIFICATIONS</b>									
<b>Operating Voltage</b>	<b>1-30 Vp-p</b>	<b>Nominal Rated Voltage</b>	<b>10 Vp-p</b>	<b>Resonant Frequency</b>	<b>1,100 Hz.</b>				
<b>Sound Pressure Level</b>	<b>85 dB(A)</b> , at: Nominal rated Voltage, Resonant Frequency, 10 cm								
<b>Operating Current</b>	<b>9 mA</b> , at: Nominal rated Voltage, Resonant Frequency			<b>Capacitance</b>	<b>50,000 ± 30% pFD</b>				
<b>Operating Temperature</b>	<b>-20°C to +60°C</b>		<b>Storage Temperature</b>	<b>-30°C to +70°C</b>					
<b>Material</b>	<b>Housing</b>	<b>Plastic, ABS, Black</b>			<b>Sound Port</b>	<b>Top</b>			
	<b>Diaphragm</b>	<b>Brass</b>			<b>Encapsulation</b>	<b>Plastic Cap</b>			
	<b>Termination</b>	<b>Wire leads, 28 AWG, UL 1095, 4.72" (120 mm) Long, Striped 0.197" (5.0 mm) Color Coded: Red = Positive; Black Stripe = Negative</b>							
<b>Physical Dimensions</b>	<b>Length (L)</b>	<b>45.0 mm</b>	<b>Width (W)</b>	<b>34.5 mm Ø</b>	<b>Height (H)</b>	<b>9.0 mm</b>	<b>Mounting Spacing</b>	<b>40.0 mm</b>	
<b>Approximate Weight</b>	<b>5 grams</b>		<b>Removable Washing Label</b>	<b>No</b>	<b>Compliance</b>	<b>RoHS</b>			
<b>Options</b>									
<b>RELIABILITY</b>									
<b>Thermal Operating Temperature Test</b>	<b>96 hours</b> continuous operation at <b>Rated Power</b> , at <b>Maximum Rated Operating Temperature</b> *								
	<b>96 hours</b> continuous operation at <b>Rated Power</b> , at <b>Minimum Rated Operating Temperature</b> *								
<b>Thermal Storage Temperature Test</b>	<b>240 hours</b> storage at <b>Maximum Rated Storage Temperatures</b> *								
	<b>240 hours</b> storage at <b>Minimum Rated Storage Temperatures</b> *								
<b>Thermal Shock Test</b>	<b>5 cycles of Minimum and Maximum Operating Temperature</b> Each cycle shall be set per diagram below and is three (3) hours long *								
<b>Humidity Test</b>	<b>120 Hours</b> at +60°C ± 2°C, 90-95 % RH *								
<b>Vibration Test</b>	<b>2 Hours</b> at 1.5 mm with 10 to 55 Hz. of vibration frequency to each of 3 perpendicular direction *								
<b>Drop Test</b>	Dropped naturally from 700 mm height onto the surface of 10 mm wooden board, 2 directions— upper and side of the part are applied *								
<b>Termination Strength</b>	Maximum of 9.8 N load pull test, applied to each terminal in axial direction for <b>10 second</b>								
<b>Humidity Test</b>	<b>120 Hours</b> at +60°C ± 2°C. 90-95 % RH *								
<b>Solderability</b>	Terminal leads are immersed in rosin for 5 seconds and then immersed in solder-bath of +270°C for 3±1 seconds								
<b>Soldering Heat Resistance</b>	Terminal leads are immersed, up to 1.5 mm from part case, in rosin for 5 seconds and then immersed in solder-bath of +350±5°C for 3±0.5 seconds or +260±5°C for 10±1 seconds								
<b>* Reliability Test Performance</b>		<b>Parts should conform to original performance within ±3dB, after 3 hours of recovery period.</b>							
<b>Operation Life Test</b>	<b>Intermittent</b>	One thousand (1,000) hours of: 1 minute <b>ON</b> 4 minutes <b>OFF</b> cycle, at Room Temperature, and Rated Voltage							
	<b>Continuous</b>	Two hundred fifty (250) hours of continuous operation, at Rated Voltage, each at Minimum & Maximum Rated Operating Temperatures							
<b>Warranty</b>	For a period of one (1) year from date of shipping under normal operations conditions This warranty does not apply to products damaged through misuse, abuse, improper installation, alteration, rework, or attempt to repair								



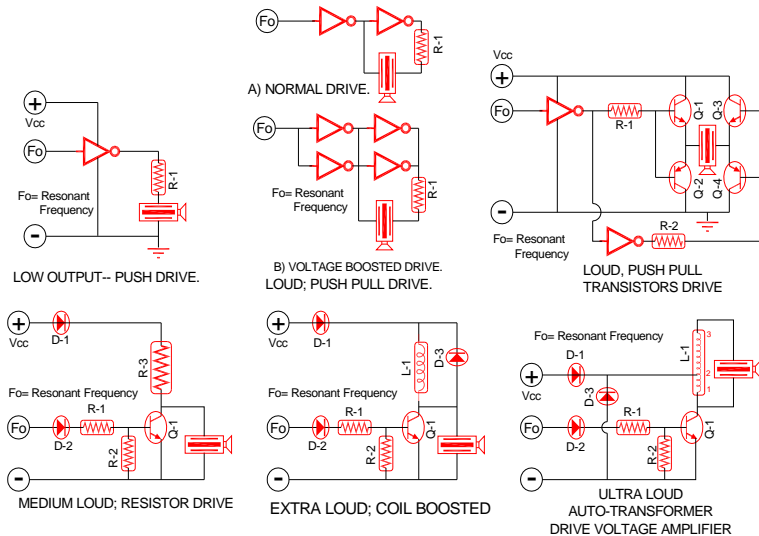
### FREQUENCY REPOSE CURVE



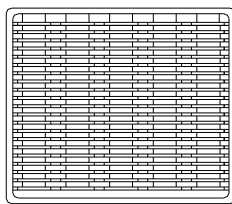
### DIMENSIONS: Units in: mm Tolerance: ± 0.5 mm



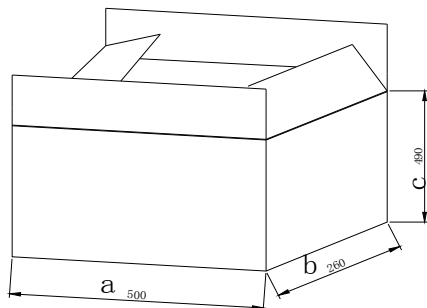
### DRIVING CIRCUIT APPLICATIONS



### PACKAGING



每盒放50只.



MARKING		TRAY	
Bundle	Dimensions	X1	30 cm
Customer PN		Y1	30 cm
Other PN if required		Z1	0.8 cm
Quantity	Quantity	100	
Lot and/or Date Code	<b>BUNDLE</b>		
Bundle Number	Dimensions	X2	cm
<b>Shipping Box</b>		Y2	cm
Customer Part Number		Z2	cm
Other PN (if required)	Quantity		
Quantity	<b>SHIPPING BOX</b>		
Lot and/or Date Code	Dimensions	X3	50 cm
PO Number		Y3	26 cm
Net Weight		Z3	49 cm
Gross Weight	Number of Bundles	2	
Box Number	Quantity	1,000	
of Number of Boxes	Approximate Weight		
<b>Made in China</b>			