



PRODUCT INFORMATION



PART #: CPF39B12-3.2R

Revision: 0-2010

Self-Resonating Piezoelectric Transducer



DESCRIPTION:

The **CPF39B12-3.2R** is a PCB Self-Resonating, 3.2 K Hz. Resonant Frequency, Piezoelectric Transducer. Terminated with 3 PC pins. RoHS Lead-Free Compliant.

FEATURES:

- RoHS, Lead Free Compliant
- ISO 9001 & QS900 Certified

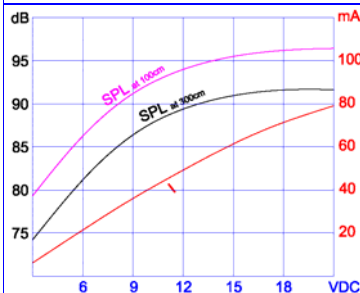
SPECIFICATIONS:

Resonant Frequency:	3,200 ± 500 Hz.	Minimum Sound Pressure Level:	85dB(A), at 12 Vdc, at 300cm, at 25°C
Operating Voltage:	6 ~ 20 Vdc	Rated Voltage:	12 Vdc
Capacitance:	25,000 ± 30% pF, at 100Hz 1 Vrms	Maximum Current at Rated Voltage:	60 mA at 12 Vdc
Operating Temperature:	-30°C to + 95°C	Storage Temperature:	-40°C to + 8105°C
Termination:	Three PC pins, 1.0 mm diameter, Brass electro-tin plated		
Termination Strength:	Maximum of 9.8N load pull test, applied to each terminal in axial direction for 10 second		
Material:	Plastic Housing:	Plastic, Noryl PX9406	
	Diaphragm:	Stainless Steel 304	
Dimensions:	Color:	Black	
	Length / Diameter:	39.0 mm Ø	High: 18.0 mm
Compliance:	RoHS, Lead Free	Removable Washing Label	No
		Weight:	8.6 grams

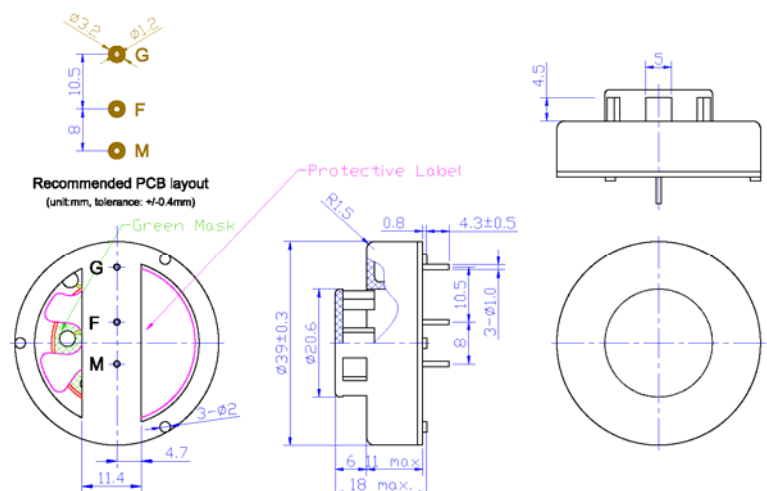
RELIABILITY: Parts should conform to original performance within ±3dB, after 3 hours of recovery period.

Thermal Operating Cycle Test:	250 hours continuous operation each at minimum & maximum rated Operating Temperatures.
Thermal Storage Cycle Test:	250 hours continuous operation each at minimum & maximum rated Storage Temperatures.
Thermal Shock Test:	Put in minimum operating temperature for 1 hour than move to +20°C for 5 min. then at maximum operating temperature for 1 hour. Then back to +20°C 5 min. Repeat for 5 cycles.
Humidity Test:	120 Hours at +60°C±2°C. 90-95% RH
Vibration Test:	2 Hours at 1.5mm with 10 to 50Hz. Of vibration frequency to each of 3 perpendicular direction
Drop Test:	Dropped naturally from 750mm height onto the surface of 10mm wooden board. 2 directions – upper and side of the part are applied
Shock:	980m/s ² (=100g) shock for each mutually perpendicular directions, half sine wave, 3 times each
Solder-ability:	Soldering pads are immersed in rosin for 5 seconds and then immersed in +350±5°C solder bath for 3±0.5 seconds.
Life Test:	At rated voltage in room temperature continuously for 1,000 hours
Warranty	For a period of one (1) year from date of shipping under normal operations conditions

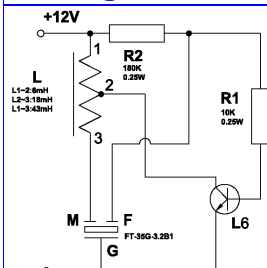
Performance Curve:



Dimensions: Units in: mm Tolerance: ±0.76mm



Driving Circuit:



The information contained herein is believed to be correct, but no guarantee or warranty, express or implied, with respect to accuracy, completeness or results is extended and no liability is assumed. Challenge Electronics reserves the right to make changes in any specification, data or material contained herein.



Challenge Electronics
95 East Jefryn Boulevard
Deer Park, NY 11729

Tel: 1-800-722-8197
1-631-595-2217
Fax: 1-631-667-5484

EMAIL: SALES@CHALLELEC.COM
WEB: WWW.CHALLEGELECTRONICS.COM